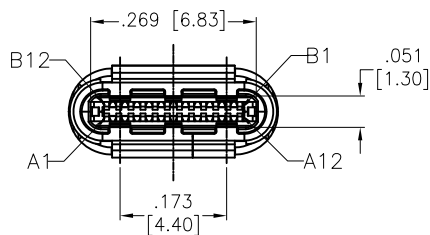
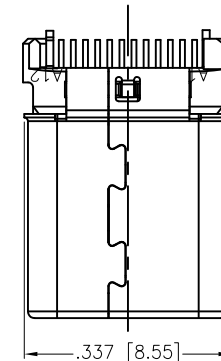
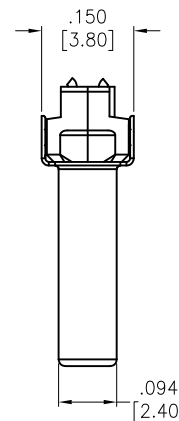
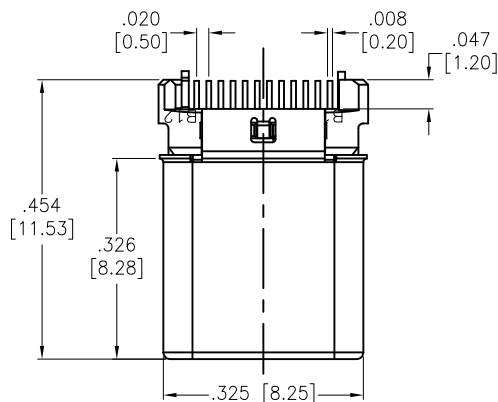
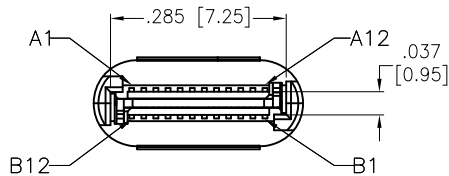
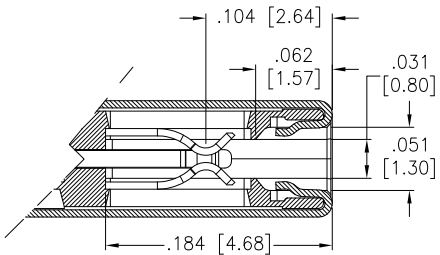


APPROVED: \_\_\_\_\_  
 DATE: \_\_\_\_\_ TITLE: \_\_\_\_\_

Rev	AWO #	Description	Date	Appr
-		RELEASED	5/6/16	



**SPECIFICATIONS:**

**Material:**  
 Insulator: Thermoplastic, rated UL 94V-0  
 Insulator color: Black  
 Contacts: Copper Alloy  
 Shell: Stainless Steel, Nickel plated  
 Ground Latch: Stainless Steel, Nickel plated, Tab with Tin Alloy  
 Back Shell: Stainless Steel, Nickel plated  
**Plating:**

Gold flash over Nickel underplate on contact area,  
 Tin over Nickel underplate on solder tails  
**Electrical:**

Current rating: 3.0 A (Vbus and Ground Contact)  
 0.25 A min. (Other Contact)  
 Contact resistance: 30 mohms max (Vbus and Ground Contact)  
 50 mohms max (Other Contact)  
 Insulation resistance: 100 Mohms min.  
 Dielectric withstanding: 100 VAC for 1 minute

**Mechanical:**  
 Insertion force: 5~20N @ 12.5mm per second max.  
 Withdrawal force: 8~20N @ 12.5mm per second max.  
 Durability: 10,000 Cycles  
 Temperature Rating:  
 Operating temperature: -55°C to +85°C  
**Environmental:**  
 Lead free, RoHS compliant.



A12	A11	A10	A9	A8	A7	A6	A5	A4	A3	A2	A1
GND	RX2+	RX2-	Vbus	SBU1	D-	D+	CC	Vbus	TX1-	TX1+	GND
GND	TX2+	TX2-	Vbus	Vconn			SBU2	Vbus	RX1-	RX1+	GND
B1	B2	B3	B4	B5	B6	B7	B8	B9	B10	B11	B12

UNLESS OTHERWISE SPECIFIED  
 ALL DIMENSIONS ARE INCHES [MM]  
 TOLERANCES: EXCEPT AS NOTED  
 INCHES HOLES  
 .X ± .10 ØX ± .10  
 .XX ± .020 ØXX ± .015  
 .XXX ± .015 ØXXX ± .010

**ADAM TECH**

909 Rahway Avenue, Union, NJ 07083  
 Phone: 908-687-5000 Fax: 908-687-5710

APPROVALS		DATE
DRAWN	HR	5/6/16
CHECKED	MW	5/6/16
APPROVED		

TITLE		
UNIVERSAL SERIAL BUS, TYPE C, MALE PLUG, STRADDLE MOUNT, BLACK INSULATOR		
SIZE	PART NO.	REV.
X	USB-C31-PLUG-B-XX-BK	-
REF:	S00097C	SCALE: NTS
		SHEET 1 OF 2

6 5 4 3 2 1

APPROVED: \_\_\_\_\_  
 DATE: \_\_\_\_\_ TITLE: \_\_\_\_\_

Rev	AWO #	Description	Date	Appr
SEE SHT 1 OF 2 FOR REVISION				

SHORT SHELL

LONG SHELL

USB-C31-PLUG-B-S1-BK  
 O.D: .177 [4.50]

USB-C31-PLUG-B-S2-BK  
 O.D: .197 [5.00]

USB-C31-PLUG-B-L1-BK  
 O.D: .177 [4.50]

USB-C31-PLUG-B-L2-BK  
 O.D: .197 [5.00]

UNLESS OTHERWISE SPECIFIED  
 ALL DIMENSIONS ARE INCHES [MM]  
 TOLERANCES: EXCEPT AS NOTED  
 INCHES HOLES

.X	± .10	∅X	± .10
.XX	± .020	∅XX	± .015
.XXX	± .015	∅XXX	± .010

**ADAM TECH**  
 909 Rahway Avenue, Union, NJ 07083  
 Phone: 908-687-5000 Fax: 908-687-5710

APPROVALS		DATE
DRAWN	HR	5/6/16
CHECKED	MW	5/6/16
APPROVED		

TITLE UNIVERSAL SERIAL BUS, TYPE C, MALE PLUG, STRADDLE MOUNT, BLACK INSULATOR		
SIZE X	PART NO. USB-C31-PLUG-B-XX-BK	REV. -
REF: S00097C	SCALE: NTS	SHEET 2 OF 2

6 5 4 3 2 1