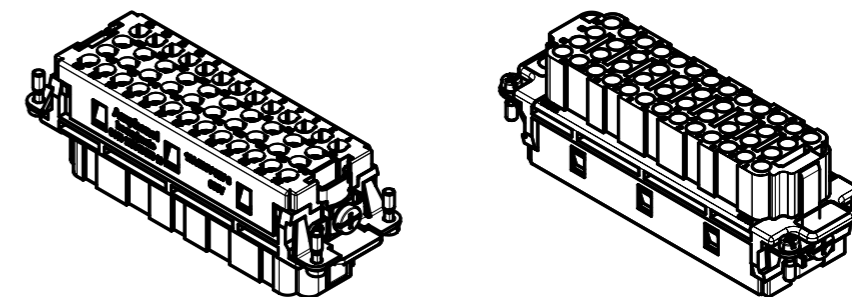
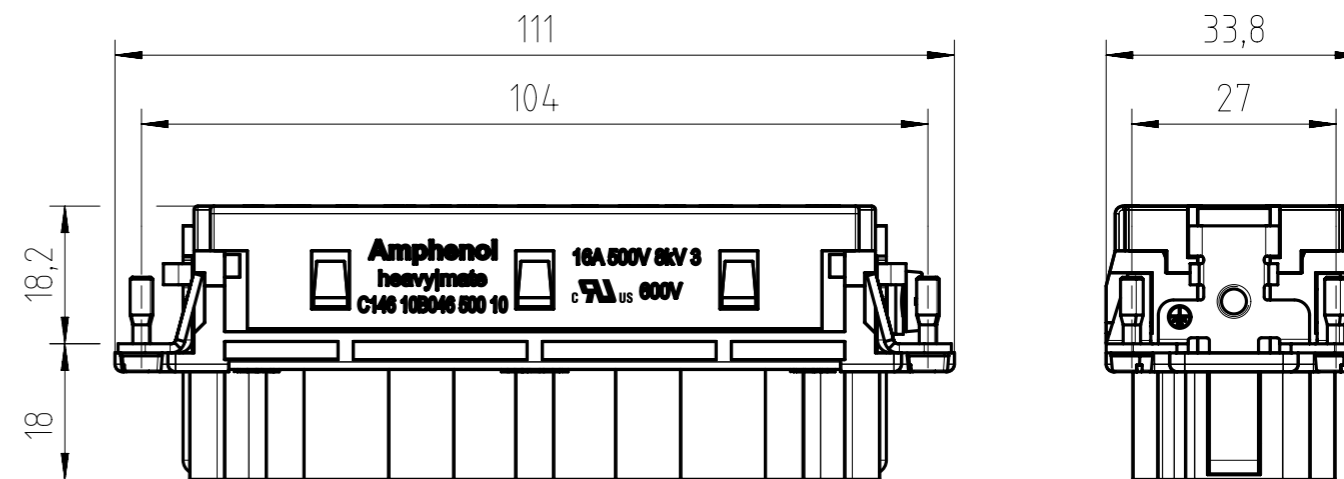
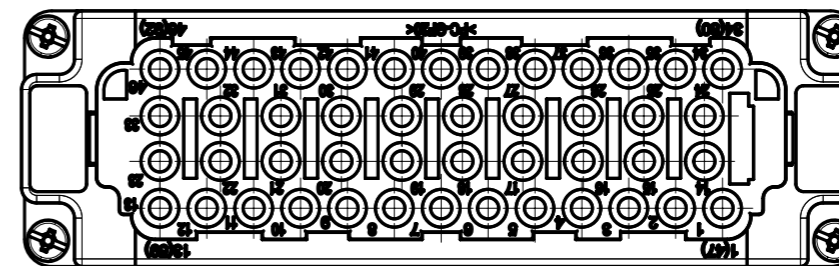


General Characteristics	Standard	Value
number of contacts		46 + PE
termination technique		crimp
wire gauge		0,14 mm <sup>2</sup> - 4,0 mm <sup>2</sup> AWG 26 - AWG 12
max. insulation diameter		4,8 mm
flammability	UL 94	V-0
Electrical Characteristics	Standard	Value
rated voltage	IEC 60664-1	500 V (UL/CSA 600 V)
pollution degree	IEC 60664-1	3
installation (overvoltage) category	IEC 60664-1	3
material group	IEC 60664-1	3a
rated impulse withstand voltage	IEC 60664-1	8 kV
rated current T <sub>amb</sub> = 40 °C		16 A
current carrying capacity	IEC 60512-5-2	see derating curve
contact resistance	IEC 60512-2-1	≤ 5 mΩ
insulation resistance	IEC 60512-3-1	≥ 10 <sup>10</sup> Ω
Climatical Characteristics	Standard	Value
climatic category	IEC 60068-1	40 / 125 / 21
upper temperature	IEC 60512-11-9	+125 °C
lower temperature	IEC 60512-11-10	-40 °C
Mechanical Characteristics	Standard	Value
mechanical operation	IEC 60512-9-1	≥500 mating cycles
Materials	Standard	Value
insert		PC
contacts		CuZn (brass)
contact plating		Ag (silver)/Au (gold)
color		grey



Alle technischen Daten wurden unter Laborbedingungen ermittelt und können im Praxisbetrieb abweichen. Es handelt sich bei den Angaben weder um Beschaffenheits- noch um Haltbarkeitsgarantien.  
All technical data have been measured in a laboratory environment and can be different during practical usage of the product. Any product information is for descriptive usage only and not legally binding; particularly the information does not constitute or provide any legal guarantees ("Beschaffenheitsgarantie" or "Haltbarkeitsgarantie").

Gewicht (errechnet) / Calc WT: 90 g		Zul. Abw./Tolerances:		Maßstab / Scale: 1:1 (1:2)	A3	
Prüfmaß / Testdimension		ISO 2768-m		CUSTOMER DRAWING		
Teileindex / Partindexnumber:		DIN / ISO 13715		Buchseneinsatz 46-Pol + PE		
Bagatelle change:		Gez. 11.01.2016		socket insert 46 pole + PE		
		Drawn JHOENNIGE2				
		Status Released				
		Gepr. 16.07.2018				
		Checked MGRIMM				
		<b>Amphenol Tuchel Industrial GmbH</b>		Blatt / Sheet		
03	201800252	09.07.2018	PWÖLF	M C146 10B046 500 10		1
02	201500907	28.01.2016	JHÖNN			1 Bl.
Index	Änderung / Description	Datum / Date	Name	Ers. f. / Replacement for: M-C146 10B046 500 10 Rev01		

Coping of this document and giving it to others and the use or communication of the contents thereof, are forbidden without express authority. Offenders are liable to the payment of damages. All rights are reserved in the event of the grant of a patent or the registration of the utility model or design.

Weitergabe sowie Vervielfältigung dieser Unterlage, Verwertung und Mitteilung ihres Inhalts nicht gestattet, soweit nicht ausdrücklich zugestanden. Zuwiderhandlungen verpflichten zu Schadenersatz. Alle Rechte für den Fall der Patenterteilung oder Gebrauchsmuster-Eintragung vorbehalten.

FAI2018-002705  
NXM-V05