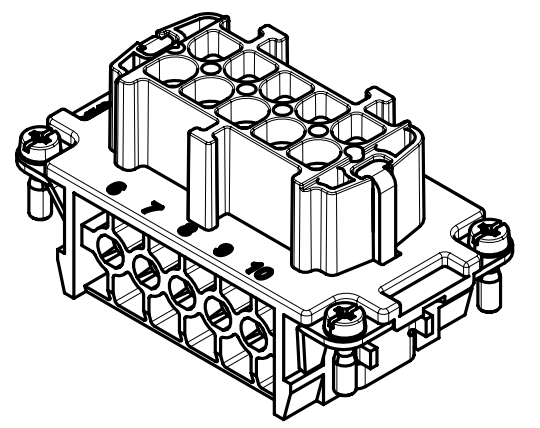
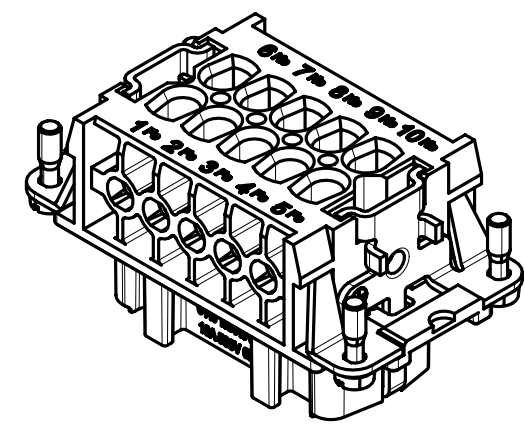
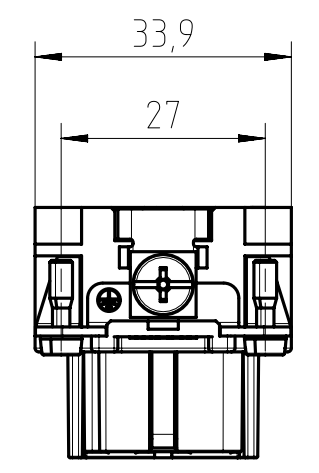
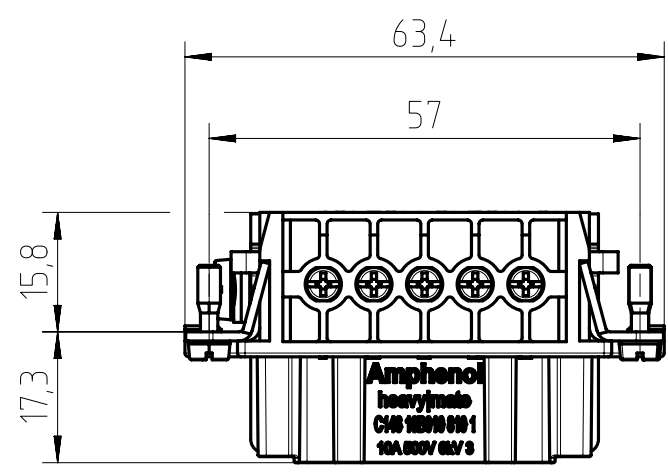
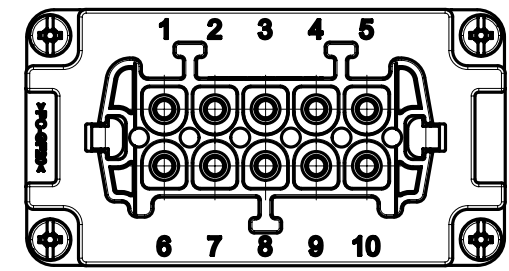


Copying of this document and giving it to others and the use or communication of the contents thereof, are forbidden without express authority. Offenders are liable to the payment of damages. All rights are reserved in the event of the grant of a patent or the registration of the utility model or design.

General Characteristics	Standard	Value
number of contacts		10 + PE
iron contacts (Fe)	EUROMAP 14, part 1	1 - 5
constantan contacts (Ko)	EUROMAP 14, part 1	6 - 10
termination technique		screw with wire protection
wire gauge		0,5 mm ² - 2,5 mm ² AWG 20 - AWG 14
max. insulation diameter		4,6 mm
stripping length		5,5 +0,5 mm
tightening torque		0,5 Nm
flammability	UL 94	V-0
Electrical Characteristics	Standard	Value
rated voltage	IEC 60664-1	500 V
pollution degree	IEC 60664-1	3
installation (overvoltage) category	IEC 60664-1	3
material group	IEC 60664-1	3a
rated impulse withstand voltage	IEC 60664-1	6 kV
rated current T _{amb} = 40 °C		10 A
current carrying capacity	IEC 60512-5-2	see derating curve
contact resistance	IEC 60512-2-1	≤ 10 mΩ
insulation resistance	IEC 60512-3-1	≥ 10 ¹⁰ Ω
Climatical Characteristics	Standard	Value
climatic category	IEC 60068-1	40 / 125 / 21
upper temperature	IEC 60512-11-9	+125 °C
lower temperature	IEC 60512-11-10	-40 °C
Mechanical Characteristics	Standard	Value
mechanical operation	IEC 60512-9-1	≥500 mating cycles
Materials	Standard	Value
insert		PC
iron contacts (Fe)	DIN EN 60584 (type J)	Fe/Au (gold plating)
constantan contacts (Ko)	DIN EN 60584 (type J)	CuNi (without plating)
color		grey

Alle technischen Daten wurden unter Laborbedingungen ermittelt und können im Praxisbetrieb abweichen.
 Es handelt sich bei den Angaben weder um Beschaffenheits- noch um Haltbarkeitsgarantien.
 All technical data have been measured in a laboratory environment and can be different during practical usage of the product. Any product information is for descriptive usage only and not legally binding; particularly the information does not constitute or provide any legal guarantees ("Beschaffenheitsgarantie" or "Haltbarkeitsgarantie")



Gewicht (errechnet) / Calc WT: 66,8 g		Zul. Abw./Tolerances:		Maßstab / Scale: 1:1		A3			
Prüfmaß / Testdimension		ISO 2768-m		DIN / ISO 13715		CUSTOMER DRAWING			
Teileindex / Partindexnumber:		Gez. 31.07.2015		Status Released		Buchseneinsatz 10-Pol + PE socket insert 10 pole + PE			
Bagatelle change:		Drawn JHOENNIGE2		Checked MGRIMM					
07	201800292	25.07.2018	PWÖLF	08.08.2018	Amphenol Tuchel Industrial GmbH M C146 10B010 810 1 Blatt / Sheet 1 1 Bl.				
06	2018000020	13.04.2018	MTOLK	31.07.2015				Ers. f. l. Replacement for: M-C146 10B010 810 1 Rev01	
05	201700427	06.12.2017	PWÖLF	JHÖNN					
04	201600249	26.04.2016	PWÖLF						
03	201500911	17.02.2016	MTOLK						
02	201500151	31.07.2015	JHÖNN						
Index	Änderung / Description	Datum / Date	Name						

Weitergabe sowie Vervielfältigung dieser Unterlage, Verwertung und Mitteilung ihres Inhalts nicht gestattet, soweit nicht ausdrücklich zugestanden. Zuwiderhandlungen verpflichten zu Schadensersatz. Alle Rechte für den Fall der Patenterteilung oder Gebrauchsmuster-Eintragung vorbehalten.