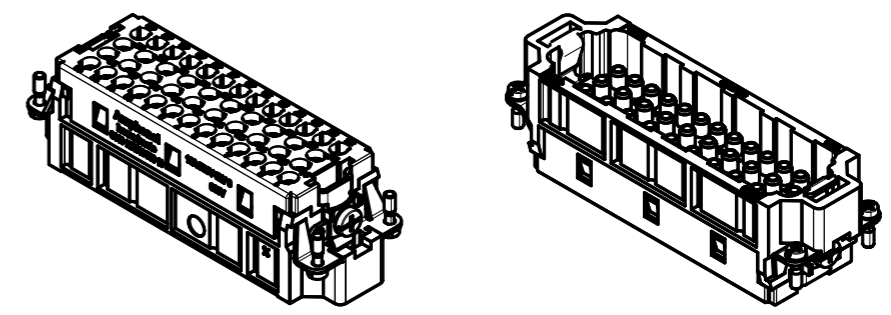
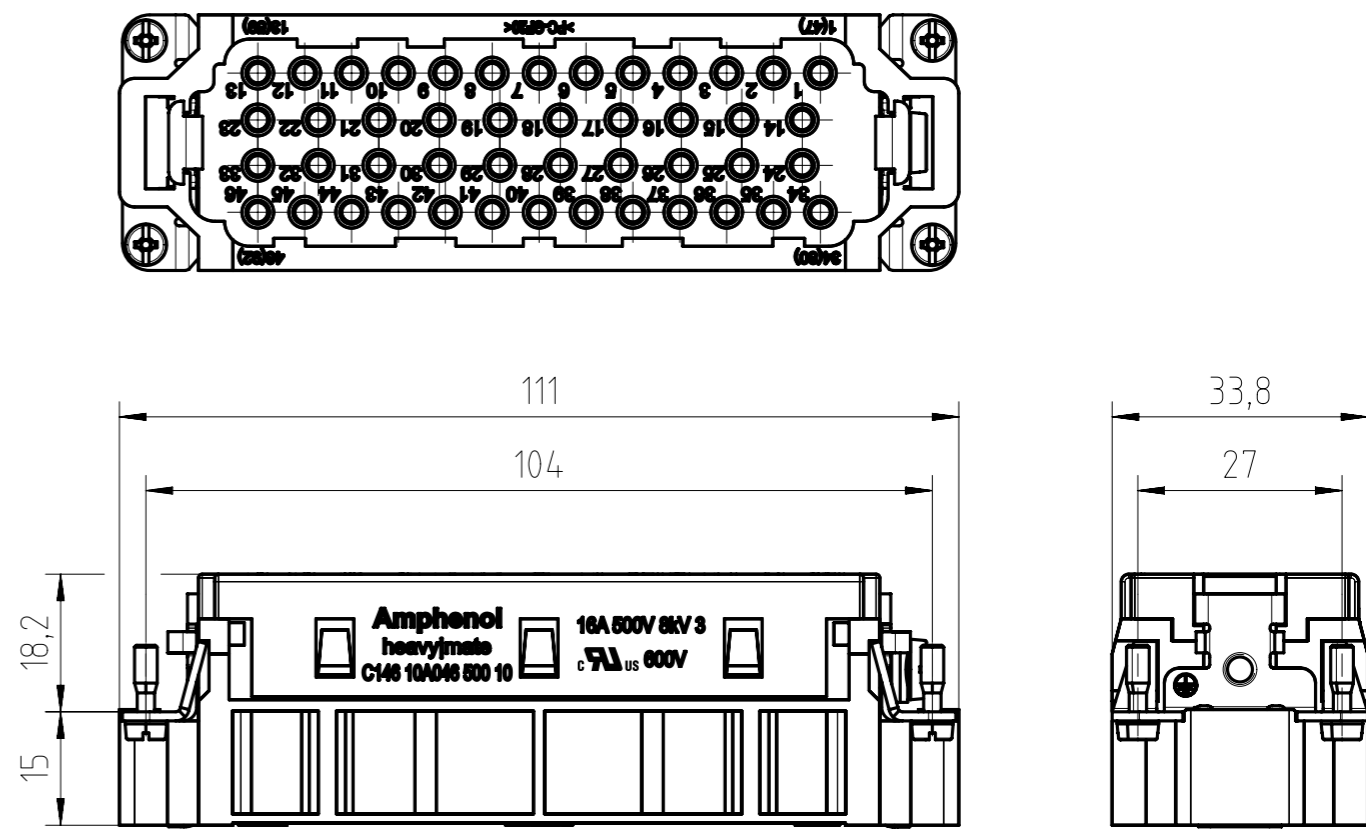


| General Characteristics | Standard | Value |
|--|-----------------|---|
| number of contacts | | 46 + PE |
| termination technique | | crimp |
| wire gauge | | 0,14 mm ² - 4,0 mm ² AWG 26 - AWG 12 |
| max. insulation diameter | | 4,8 mm |
| flammability | UL 94 | V-0 |
| Electrical Characteristics | Standard | Value |
| rated voltage | IEC 60664-1 | 500 V (UL/CSA 600 V) |
| pollution degree | IEC 60664-1 | 3 |
| installation (overvoltage) category | IEC 60664-1 | 3 |
| material group | IEC 60664-1 | 3a |
| rated impulse withstand voltage | IEC 60664-1 | 8 kV |
| rated current T _{amb} = 40 °C | | 16 A |
| current carrying capacity | IEC 60512-5-2 | see derating curve |
| contact resistance | IEC 60512-2-1 | ≤ 5 mΩ |
| insulation resistance | IEC 60512-3-1 | ≥ 10 ¹⁰ Ω |
| Climatical Characteristics | Standard | Value |
| climatic category | IEC 60068-1 | 40 / 125 / 21 |
| upper temperature | IEC 60512-11-9 | +125 °C |
| lower temperature | IEC 60512-11-10 | -40 °C |
| Mechanical Characteristics | Standard | Value |
| mechanical operation | IEC 60512-9-1 | ≥500 mating cycles |
| Materials | Standard | Value |
| insert | | PC |
| contacts | | CuZn (brass) |
| contact plating | | Ag (silver)/Au (gold) |
| color | | grey |



Alle technischen Daten wurden unter Laborbedingungen ermittelt und können im Praxisbetrieb abweichen. Es handelt sich bei den Angaben weder um Beschaffenheits- noch um Haltbarkeitsgarantien.
 All technical data have been measured in a laboratory environment and can be different during practical usage of the product. Any product information is for descriptive usage only and not legally binding; particularly the information does not constitute or provide any legal guarantees ("Beschaffenheitsgarantie" or "Haltbarkeitsgarantie").

| | | | | |
|--|--|---|----|--|
| Gewicht (errechnet) / Calc WT: 77 g | Zul. Abw./Tolerances: | Maßstab / Scale: 1:1 (1:2) | A3 | |
| Prüfmaß / Testdimension | ISO 2768-m | CUSTOMER DRAWING | | |
| Teileindex / Partindexnumber: | DIN / ISO 13715 | Stifteinsatz 46-Pol + PE | | |
| Bagatelle change: | Gez. 20.01.2016 | pin insert 46 pole + PE | | |
| | Drawn JHOENNIGE2 | | | |
| | Status Released | | | |
| | Gepr. 16.07.2018 | | | |
| | Checked MGRIMM | | | |
| | Amphenol Tuchel Industrial GmbH | Blatt / Sheet 1 | | |
| 04 201800252 09.07.2018 PWÖLF | | M C146 10A046 500 10 | | |
| 03 201500909 25.02.2016 MTOLK | | 1 Bl. | | |
| Index Änderung / Description Datum / Date Name | | Ers. f. / Replacement for: M-C146 10A046 500 10 Rev01 | | |

Copying of this document and giving it to others and the use or communication of the contents thereof, are forbidden without express authority. Offenders are liable to the payment of damages. All rights are reserved in the event of the grant of a patent or the registration of the utility model or design.
 Weitergabe sowie Vervielfältigung dieser Unterlage, Verwertung und Mitteilung ihres Inhalts nicht gestattet, soweit nicht ausdrücklich zugestanden. Zuwiderhandlungen verpflichten zu Schadenersatz. Alle Rechte für den Fall der Patenterteilung oder Gebrauchsmuster-Eintragung vorbehalten.

FAI2018-002703
NXM-V04