

# ISOLATED PRODUCTS CROSS-REFERENCE GUIDE

Designed for Applications in:

» CHARGING  
STATIONS



» ENERGY  
STORAGE



» AC/DC  
CONVERSION



» SOLAR  
OPTIMIZATION

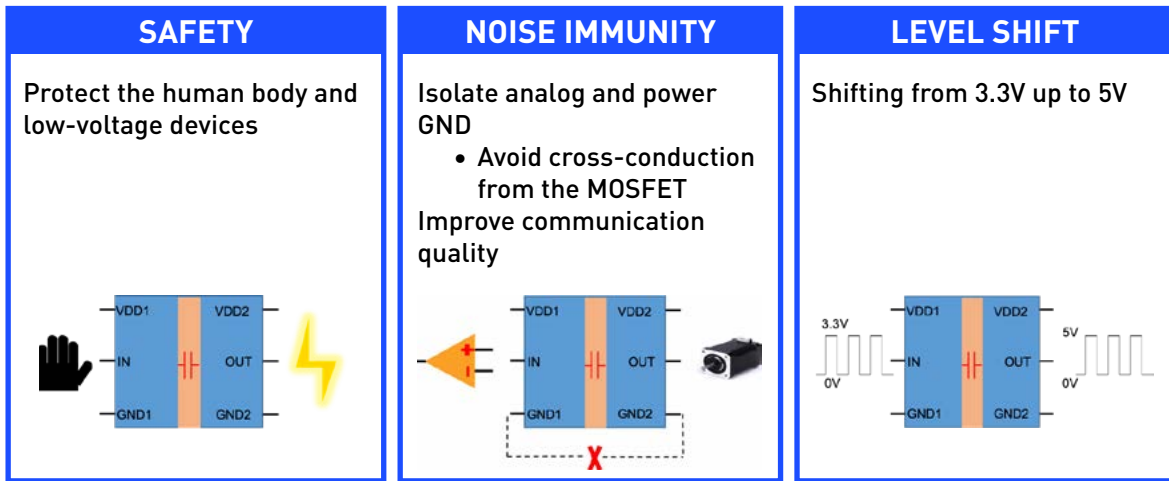


## Introduction

MPS has a whole family of isolated solutions that are pin-to-pin compatible with existing solutions on the market. These products are designed to be compliant to both UL1577 and VDE-0884 standards.

Visit [monolithicpower.com/isolation](https://www.monolithicpower.com/isolation) for more information.

## Why Do We Need Isolation?



## Product Offerings

- » Isolated Gate Drivers
- » Digital Isolators
- » Digital Isolators with Power
- » Isolated Power Modules

## Advantages

- » Pin-to-pin compatible with existing solutions to alleviate supply shortage
- » Wide driver bias range enables more flexibility with FET selection (SiC, GaN, IGBT)
- » Higher source and sink peak currents enable higher efficiency

# Applications

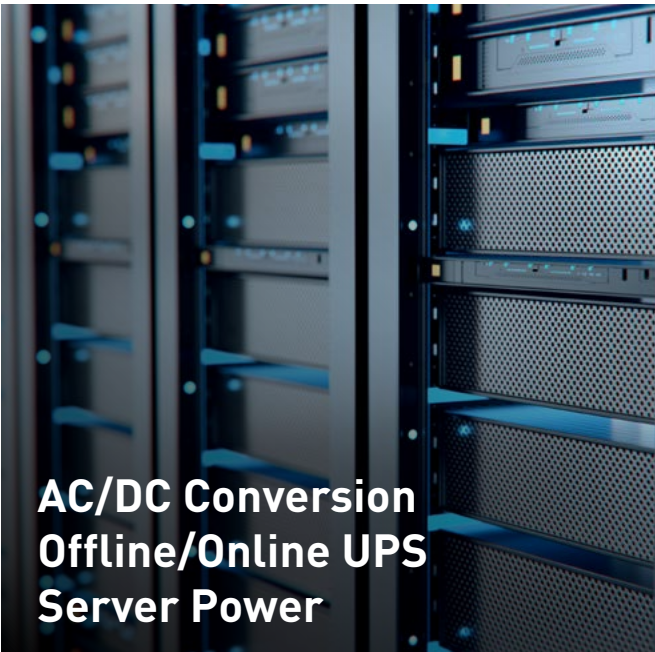
- » Supports various isolation requirements to maximize system safety level
- » Industry-leading performance
- » Supports UL1577 certification



**Charging Stations**



**Energy Storage**



**AC/DC Conversion  
Offline/Online UPS  
Server Power**



**Battery-to-Grid  
Solar Inverters  
Solar Optimizers**



**DUAL-CHANNEL ISOLATED GATE DRIVERS**

Family	Part Number	P2P Replacement	Applications
<b>MP18831/51/71</b>	MP18831-4CGY	<b>Si823x</b> <b>UCC20520</b> <b>UCC21520</b> <b>UCC21521</b>	Server PSUs Telecom PSUs Solar Inverters Energy Storage DCFC Charging Stations AC/DC Conversion Motor Drives
	MP18851-A4CGY		
	MP18851-A4CGSE		
	MP18831-A4BGLU		
	MP18851-A4BGLU		
	MP18871-A4BGLU		

**DIGITAL ISOLATORS WITH INTEGRATED POWER**

Family	Part Number	P2P Replacement	Applications
<b>MPQ278xx</b>	MPQ27831-HP-MGY-3	<b>ISOW784x</b> <b>ISOW7821</b>	Industrial Automation 5G RRU, Industrial CPE RS-485/422/CAN Interfaces Power Meters
	MPQ27821-LP-MGY-3		
	MPQ27811-HP-MGY-3		
	MPQ27811-HP-MGY-3		

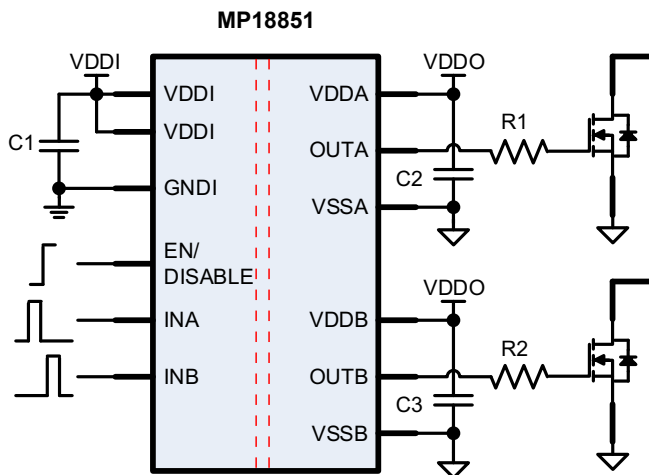
**DIGITAL ISOLATORS - NO INTEGRATED POWER**

Family	Part Number	P2P Replacement	Applications
<b>MP276xx</b>	MP27622GY-Z (2 in/2 out)	<b>IS07741/IS07641</b> <b>Si8641</b> <b>MAX14931</b>	Industrial Automation/PLC RS-485/422/CAN Interfaces Power Meters EV/BMS
	MP27631GY-Z (3 in/1 out)		
	MP27633GY-Z (3 in/3 out)		
	MP27633GY-Z (3 in/3 out)		

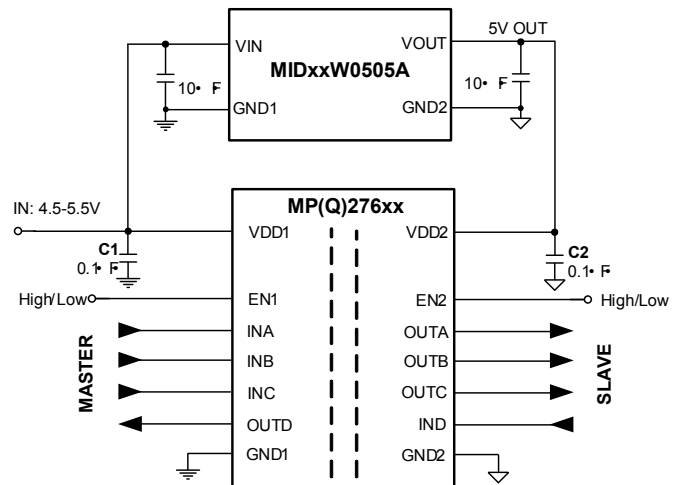
**ISOLATED POWER MODULES**

Family	Part Number	Description	Applications
<b>MID1W0505A</b>	MID1W0505AGY-3S	5V to 5V isolated module, 0.6W/1W options available	Isolated Digital Isolator Bias RS-485/422/CAN Interfaces Isolated Sensor Power Supplies Telecom/Networking
<b>MID06W0505A</b>	MID06W0505AGY-3R	5V to 5V isolated module, 0.6W/1W options available	Isolated Digital Isolator Bias RS-485/422/CAN Interfaces Isolated Sensor Power Supplies Telecom/Networking

**Dual-Channel Isolated Gate Driver**



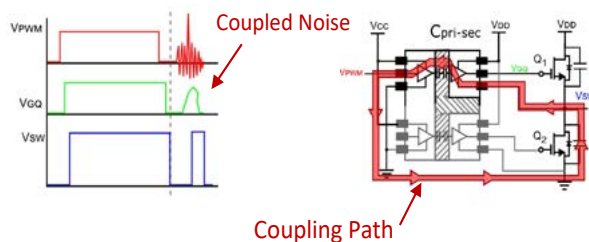
**Digital Isolator + Isolated Power Module**



# CMTI for Isolated Products

## Why Is CMTI Important?

- » Common-mode transient immunity (CMTI)
- » High slew rate transients can corrupt data transmission across the isolation barrier
- » CMTI measures in  $\text{kV}/\mu\text{s}$  or  $\text{V}/\text{ns}$
- » Especially important in:
  - High-voltage applications
  - Fast transient devices (SiC, GaN)



## MP18831/51/71

### Isolated Dual-Channel Gate Driver



- Up to  $5\text{kV}_{\text{RMS}}$  Isolation
- $\text{CMTI} > 100\text{V}/\text{ns}$
- 4A Source/4A Sink Peak Current
- SOIC-16NB/WB and LGA-13 Package
- P2P with the SI823x, UCC2x520 Families

## MP27622/31/33

### 4-Channel to 6-Channel Digital Isolator



- Last 2 Digits Denote Number of I/O Channels
- Input Range: 2.5V to 5.5V
- Up to 150Mbps Data Rate
- $\text{CMTI} > 100\text{V}/\text{ns}$
- 13ns Propagation Delay
- Available in an SOICW-16 Package
- P2P with the ISO7741, Si8641, and MAX14931

## MPQ27811/21/31

### 2-Channel to 4-Channel Digital Isolator with Power



- Input Range: 4.5V to 5.5V
- Integrated 1W Isolated Power
- Up to 50Mbps Data Rate
- $3\text{kV}_{\text{RMS}}$  Isolation,  $\text{CMTI} > 100\text{V}/\text{ns}$
- Available in an SOICW-16 Package
- P2P with the ISOW784x, ISOW7821, and MAX14931

## MID1W0505A/MID06W0505A

### Isolated Power Module



- Input Range: 4.5V to 5.5V
- 5V Output Voltage
- 0.6W/1W Output Options
- 0.4% Load/1.5% Line Regulation
- $3\text{kV}_{\text{RMS}}$  Isolation
- Available in an SOICW-16 Package

Learn more at:

[monolithicpower.com/isolation](http://monolithicpower.com/isolation)

## ABOUT MONOLITHIC POWER SYSTEMS

### Who we are

We are creative thinkers. We break boundaries. We take technology to new levels. As a leading international semiconductor company, Monolithic Power Systems (MPS) creates cutting-edge solutions to improve the quality of life with green, easy-to-use products.

### What we do

We make power design fun! With our innovative proprietary technology processes, we thrive on re-imagining and redefining the possibilities of high-performance power solutions in industrial applications, telecom infrastructures, cloud computing, automotive, and consumer applications.

### Where we come from

It started with a vision. Michael Hsing, pioneering engineer and CEO, founded Monolithic Power Systems, Inc. in 1997 with the belief that an entire power system could be integrated onto a single chip. Under his leadership, MPS has succeeded not only in developing a monolithic power module that truly integrates an entire power system in a single package, but also it continues to defy industry expectations with its patented groundbreaking technologies.

### Our values

We cultivate creativity.

As a company, we believe in creating an environment that encourages and challenges our employees to collaborate and think outside the box to excel beyond their preconceived capabilities.

We do not accept the status quo.

We do not believe in limitations. It is not about what is, but what can be. Possibilities are endless at MPS.

We are passionate about sustainability.

It's about the future. From materials to finances, we are committed to conservation. We will not tolerate waste in an effort to improve and preserve the quality of life.

We are committed to providing innovative products to our customers.

Let us do the heavy lifting. We relentlessly strive to make system design versatile and effortless to meet our customers' specific needs. We'll do the work, so our customers can have the fun!

## CONTACT & ORDERING

Seattle

San Jose

Detroit

Munich

Tolochenaz

Barcelona

Tokyo

South Korea

Shanghai

Chengdu

Hangzhou

Shenzhen

Taiwan

Bangalore

Singapore

## Regional Headquarters

### MPS Seattle

5808 Lake Washington Blvd. NE  
Kirkland, WA 98033, USA  
Tel: +1 425-296-9956

### MPS San Jose

79 Great Oaks Blvd.  
San Jose, CA 95119, USA  
Tel: +1 408-826-0600

### MPS China Chengdu

#8 Kexin Road West Park of Export  
Processing Zone West Hi-Tech Zone  
Chengdu, Sichuan, 611731  
Tel: +86-28-8730-3000

### MPS China Hangzhou

Floor 6, Building A2, Xixi Center,  
No. 588 West Wenyi Road, Xihu District  
Hangzhou, Zhejiang, 310012  
Tel: +86-571-8981-8588

### MPS Switzerland

Route de Lully 5 A  
1131 Tolochenaz, Switzerland  
Tel: +41-21-805-0100

### MPS Spain

Av. Josep Tarradellas 123, 5-A  
08029 Barcelona, Spain  
Tel: +34-931-815-400

### MPS Investor Relations

Tel: +1 408-826-0777

## Asia Sales Offices

### MPS China Chengdu

#8 Kexin Road West Park of Export  
Processing Zone West Hi-Tech Zone  
Chengdu, Sichuan, 611731  
Tel: +86-28-8730-3000

### MPS China Shanghai

Floor 27, Magnolia Plaza, No. 777,  
Hongqiao Road, Xuhui District  
Shanghai 20030  
Tel: +86-21-2225-1700

### MPS Singapore

5 Tampines Central 6  
#03-38, Singapore 529482  
Tel: +65-65918705

### MPS China Hangzhou

Floor 6, Building A2, Xixi Center,  
No. 588 West Wenyi Road, Xihu District  
Hangzhou, Zhejiang, 310012  
Tel: +86-571-8981-8588

### MPS China Shenzhen

Room 1401, Kingkey Riverfront Times  
Square Branch North,  
Binhe Avenue South, Futian District  
Shenzhen Guangdong, 518054  
Tel: +86-755-3688-5818

### MPS Japan

Shinjuku Sumitomo Bldg. 31F  
2-6-1 Nishishinjuku Shinjuku-ku,  
Tokyo 163-0231, Japan  
Tel: +81-3-5989-0885

### MPS Korea

C 403, 4F Pangyo Digital Center, Sampy-  
ong-dong 624 5pilgi, Bundang-gu,  
SeongNam-city, Kyunggi-do, Korea  
Tel: +82-2-598-2307

### MPS Taiwan

29F, No. 97, Section 1, Xintai 5th Rd.  
Xizhi District, New Taipei City  
Tel: +886-2-86911600

### MPS India

Unit G-12, Prestige Towers,  
No 99 / 100, Residency Road,  
Bangalore 560025  
Tel: +91-80-4124-0312 / 20

## US Sales Offices

### MPS US

79 Great Oaks Blvd.  
San Jose, CA 95119, USA  
Tel: +1 408-826-0600

### MPS Detroit

19499 Victor Parkway  
Livonia, MI 48152, USA  
Tel: +1 248-907-0222

## EU Sales Offices

### MPS Europe

Alte Landstrasse 25  
85521 Ottobrunn, Germany  
Tel: +49-89-80913512-0

### MPS Spain

Av. Josep Tarradellas 123, 5-A  
08029 Barcelona, Spain  
Tel: +34-931-815-400

### MPS Germany

Gutenbergstrasse 4,  
77955 Ettenheim, Germany

Want to order?

Visit [MonolithicPower.com](http://MonolithicPower.com)

Online Order Support:

1-408-826-0736

[eOrder@monolithicpower.com](mailto:eOrder@monolithicpower.com)

