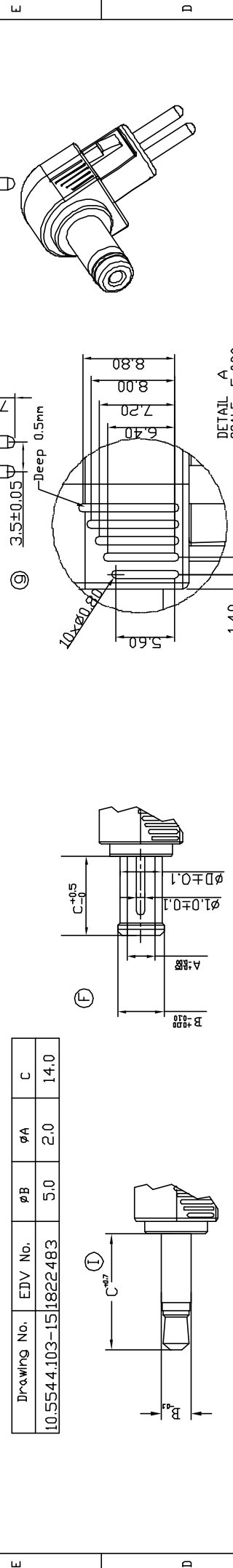
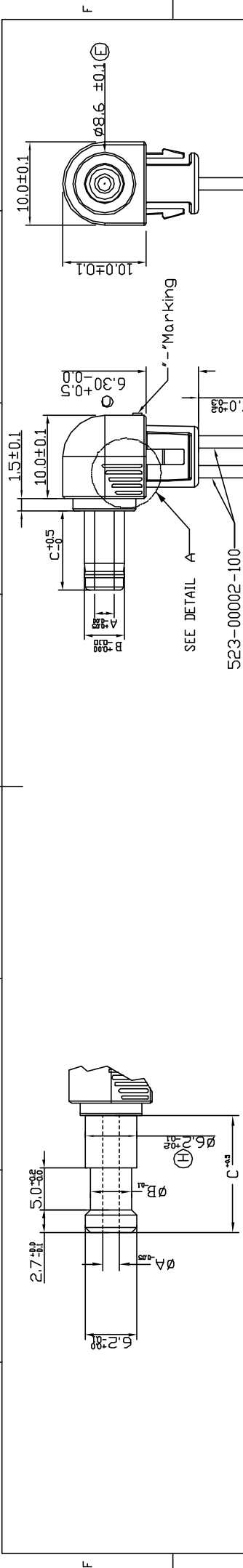


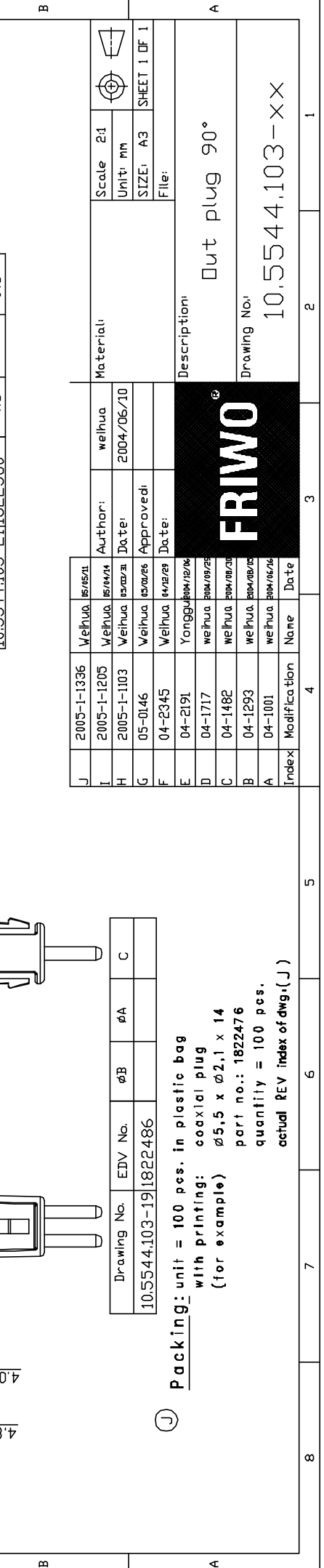
8 7 6 5 4 3 2 1



Drawing No.	EDV No.	φB	φA	C
10.5544.103-13	1822484	2.5	2.1	14
10.5544.103-14	1822485	3.5	2.5	9.5

Drawing No.	EDV No.	φB	φA	C
10.5544.103-22	1822562	5.5	3.3	9.5



Drawing No.	EDV No.	φB	φA	C
10.5544.103-19	1822486			

Wei Hua	IS/MS/21	Wei Hua	IS/MS/21	Wei Hua	IS/MS/21	Wei Hua	IS/MS/21	
2005-1-1336	Wei Hua	IS/MS/21	Wei Hua	IS/MS/21	Wei Hua	IS/MS/21	Wei Hua	IS/MS/21
2005-1-1205	Wei Hua	IS/MS/21	2004/06/10	Author:	2004/06/10	Date:	2004/06/10	Date:
2005-1-1103	Wei Hua	IS/MS/21	2004/06/10	Approved:		Date:		Date:
05-0146	Wei Hua	IS/MS/21						
04-2345	Wei Hua	IS/MS/21						
04-2191	Yonggu	IS/MS/21						
04-1717	Wei Hua	IS/MS/21						
04-1482	Wei Hua	IS/MS/21						
04-1293	Wei Hua	IS/MS/21						
04-1001	Wei Hua	IS/MS/21						

Index	Modification	Name	Date
J		Wei Hua	IS/MS/21
I		Wei Hua	IS/MS/21
H		Wei Hua	IS/MS/21
G		Wei Hua	IS/MS/21
F		Wei Hua	IS/MS/21
E		Yonggu	IS/MS/21
D		Wei Hua	IS/MS/21
C		Wei Hua	IS/MS/21
B		Wei Hua	IS/MS/21
A		Wei Hua	IS/MS/21

**J** Packing: unit = 100 pcs. in plastic bag  
 with printing: coaxial plug  
 (for example) φ5.5 x φ2.1 x 14  
 part no.: 1822476  
 quantity = 100 pcs.  
 actual REV index of dwg.(J)

Scale: 2:1  
 Unit: mm  
 Size: A3  
 File:  
 Material:  
 Description:  
 Out plug 90°  
 Drawing No.: 10.5544.103-xx

