
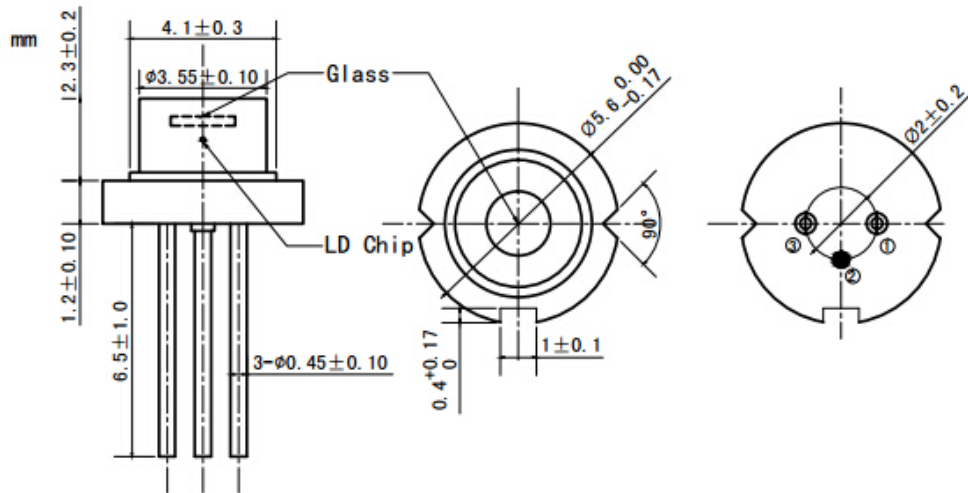


**510nm 50mW~60mW Laser Diode| Single mode Green LD**
**510nm SM LD| 50mW Power| TO18 Package Green diode laser**
**WSLD-510-050m-1**
**Wavespectrum Laser Group.**
[www.wavespectrum-laser.com](http://www.wavespectrum-laser.com)
[en.wavespectrum-laser.com.cn](http://en.wavespectrum-laser.com.cn)

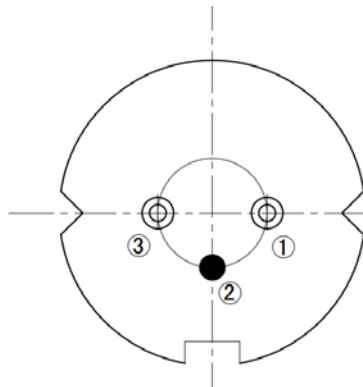
510nm Laser Diode		50mW/TO18			
PARAMETER	SYMBOL	VALUE	UNIT		
Reverse Voltage	$V_r$	2.0	V		
Operating Temperature	$T_{op}$	-10~+60	°C		
Storage Temperature	$T_{stg}$	-40~+85	°C		
Lead soldering temperature (5 sec.)	$T_{is}$	260	°C		
<b>Features:</b> <ul style="list-style-type: none"> <li>● 510nm</li> <li>● 50mW</li> <li>● Single Mode Beam</li> <li>● TO18 Package</li> </ul>					
<b>Applications:</b> <ul style="list-style-type: none"> <li>● Medical Laser Treatment</li> <li>● Laser Indicator</li> <li>● Laser Detector</li> </ul>					
<b>Specifications</b>		<b>WSLD-510-050m-1</b>			
		Min	Type	Max	
Center Wavelength@25°C		510nm±10nm			
Spectral Width (FWHM)		2.0nm			
Output Power		----	50mW	----	
Recommended Operating Temperature		25°C			
Beam Divergence (FWHM)		----	$24^\circ \pm x 9^\circ //$	----	
Threshold Current (Typ.)		----	55mA	90mA	
Operating Current (Typ.)		----	200mA	240mA	
Operating Voltage		----	7.5V	8.0V	
Package Style		TO18			



### TO18 Package View



### PIN Bottom View:



1	LD(+)
2	GND
3	LD(-)

Electrically shorten LD module and store in non-extreme conditions.  
 Suggest using the constant current power supply.

