

HAR[®] 3927

Robust Dual-Die Programmable
2D Position Sensor with Analog
and SENT Output Interface

3D | HAL[®]
Technology

master | HAL[®]
Technology

Copyright, Warranty, and Limitation of Liability

The information and data contained in this document are believed to be accurate and reliable. The software and proprietary information contained therein may be protected by copyright, patent, trademark and/or other intellectual property rights of TDK-Micronas. All rights not expressly granted remain reserved by TDK-Micronas.

TDK-Micronas assumes no liability for errors and gives no warranty representation or guarantee regarding the suitability of its products for any particular purpose due to these specifications.

By this publication, TDK-Micronas does not assume responsibility for patent infringements or other rights of third parties which may result from its use. Commercial conditions, product availability and delivery are exclusively subject to the respective order confirmation.

Any information and data which may be provided in the document can and do vary in different applications, and actual performance may vary over time.

All operating parameters must be validated for each customer application by customers' technical experts. Any mention of target applications for our products is made without a claim for fit for purpose as this has to be checked at system level.

Any new issue of this document invalidates previous issues. TDK-Micronas reserves the right to review this document and to make changes to the document's content at any time without obligation to notify any person or entity of such revision or changes. For further advice please contact us directly.

Do not use our products in life-supporting systems, military, aviation, or aerospace applications! Unless explicitly agreed to otherwise in writing between the parties, TDK-Micronas' products are not designed, intended or authorized for use as components in systems intended for surgical implants into the body, or other applications intended to support or sustain life, or for any other application in which the failure of the product could create a situation where personal injury or death could occur.

No part of this publication may be reproduced, photocopied, stored on a retrieval system or transmitted without the express written consent of TDK-Micronas.

TDK-Micronas Trademarks

■ – HAR, 3D HAL

Third-Party Trademarks

All other brand and product names or company names may be trademarks of their respective companies.

License Note

HAR 3927 uses licenses of Fraunhofer Institute for Integrated Circuits IIS.

Contents

Page	Section	Title
5	1.	Introduction
6	1.1.	Major Applications
7	1.2.	Main Features
8	2.	Ordering Information
8	2.1.	Device-Specific Ordering Codes
10	3.	Functional Description
10	3.1.	General Function
11	3.2.	Signal Path
12	3.3.	Register Definition
12	3.3.1.	RAM Registers
14	3.3.2.	EEPROM Registers
21	3.4.	SENT Output Protocol
22	3.4.1.	H.1 Format: 6 Data Nibble Frame with Two Fast Channels
24	3.4.2.	H.2 Format: 3 Data Nibble Frame with One Fast Channel
25	3.4.3.	H.4 Format: Secure Single Sensors with 12-bit Fast Channel
26	3.4.4.	Error Diagnostic Reporting on Fast Channel and Status Bits
27	3.4.5.	Pause Pulse
28	3.4.6.	CRC Implementation
28	3.4.7.	Slow Channel: Enhanced Serial Message
29	3.4.8.	Slow Channel: Serial Message Sequence
30	3.4.9.	Slow Channel: Serial Message Error Codes
31	3.4.10.	Slow Channel: Sensor Types
31	3.4.11.	Start-Up Behavior
31	3.4.12.	Message Time for SENT Frames in PP Mode
32	4.	Functional Safety
32	4.1.	Functional Safety Manual and Functional Safety Report
32	4.2.	Integrated Diagnostic Mechanism
34	5.	Specifications
34	5.1.	Outline Dimensions
36	5.2.	Soldering, Welding, Assembly
36	5.3.	Storage and Shelf Life
36	5.4.	Size of Sensitive Area
36	5.5.	Definition of Magnetic-Field Vectors
37	5.6.	Pin Connections and Short Description
38	5.7.	Absolute Maximum Ratings
39	5.8.	Recommended Operating Conditions
40	5.9.	Characteristics
44	5.10.	Notes for Electrical Characteristics
44	5.10.1.	Power-On Operation
45	5.10.2.	Definition of Parameter INL and absolute D/A Converter Error
45	5.10.3.	Definition of Rise and Delay Time of Output
46	5.11.	Magnetic Characteristics
48	5.12.	Temperature Sensor

Contents, continued

Page	Section	Title
49	6.	Application Notes
49	6.1.	Ambient Temperature
49	6.2.	EMC and ESD
50	6.3.	Application Circuit for HAR 3927
52	6.4.	Recommended Pad Size SOIC8 Package
53	7.	Programming of the Sensor
53	7.1.	Programming Interface
54	7.2.	Programming Environment and Tools
54	7.3.	Programming Information
56	8.	Document History

Robust Dual-Die Programmable 2D Position Sensor with Analog and SENT Output Interface

Release Note: Revision bars indicate significant changes to the previous document

1. Introduction

HAR 3927 is a member of a new generation of TDK-Micronas 2D position sensors based on TDK-Micronas' 3D HAL[®] technology addressing the need for ISO 26262 compliant development. The device is a high-resolution position sensor for highly accurate position measurements. It provides full redundancy due to two independent dies stacked in a single package, each electrically connected to the pins of one package side.

The stacked-die architecture ensures that both dies occupy the same magnetic-field position, thus generating synchronous measurement outputs.

HAR 3927 features a linear, ratiometric analog output signal with integrated wire-break detection working with pull-up or pull-down resistors as well as an SAE J2716 compliant SENT output according to rev. 4.

The HAR 3927 is based on the Hall technology and is able to measure horizontal and vertical magnetic-field components B_x , B_y and B_z .

Based on the signals of two magnetic-field components out of B_x , B_y or B_z , the device can measure 360° angular range and linear movements.

On-chip signal processing calculates one angle out of two orthogonal magnetic-field components and converts this value into an output signal. Additionally to the built-in signal processing, the sensor features an arbitrary programmable characteristic, e.g. for linearization of the output signal via up to 33 setpoints (17 variable or 33 fixed).

Major characteristics like gain and offset, reference position, etc. can be adjusted to the magnetic circuitry by programming the non-volatile memory.

This product is defined as SEooC (Safety Element out of Context) ASIL B ready according to ISO 26262.

The device is designed for automotive and industrial applications. It operates in the ambient temperature range from -40 °C...150 °C.

The sensor is available in the eight-pin SOIC8 SMD package.

1.1. Major Applications

Thanks to the sensor's versatile programming characteristics and its high accuracy, the HAR 3927 is a potential solution for the following application examples:

- Linear movement measurements in dual-clutch transmissions, engine stroke sensors, clutch pedal, as well as cylinder and valve position measurements
- Rotary position measurement in gear selectors, rotary selectors with push function, rear-axis steering, electronic throttle control, accelerator pedal, etc.

1.2. Main Features

- Accurate angular measurement up to 360° and linear position detection
- SEooC ASIL B ready according to ISO 26262 to support Functional Safety applications
- Operates from 4.5 V up to 5.5 V supply voltage
- 12 bit ratiometric linear analog output
- Up to 8 kSps sampling frequency
- Operates from –40 °C up to 170 °C junction temperature
(Max. Ambient Temperature: $T_{A,absmax} = 160\text{ °C}$)
- Programming via the sensor's output pin. No additional programming pin required
- Various configurable signal processing parameters, like output gain and offset, reference position, temperature-dependent offset, etc.
- Programmable arbitrary output characteristic with 17 variable or 33 equidistant distributed setpoints
- Programmable characteristics in a non-volatile memory (EEPROM) with redundancy and lock function
- Read access on non-volatile memory after customer lock
- On-Board diagnostics of different functional blocks of the sensor
- Short-circuit protected push-pull output
- Overvoltage and reverse-voltage protection
- Under- and overvoltage detection of V_{SUP}
- Integrated wire-break detection with pull-up or pull-down resistor
- SENT according to SAE J2716 rev. 4
 - Support of four different frame formats
 - H.1 format: Two 12-bit Fast Channels
(supporting A.1 Dual Throttle Position Sensors)
 - H.2 format: One 12-bit Fast Channel
 - H.4 format: Secure sensor with 12-bit Fast Channel 1 and secure sensor information on Fast Channel 2
 - Enhanced 8-bit ID serial message format including temperature information
 - Programmable tick time between 1.5 μs and 12 μs
 - Low time of 3, 4, 5 and 6 ticks
 - Transmission of OEM ID's via Slow Channel

2. Ordering Information

A Micronas device is available in a variety of delivery forms. They are distinguished by a specific ordering code:

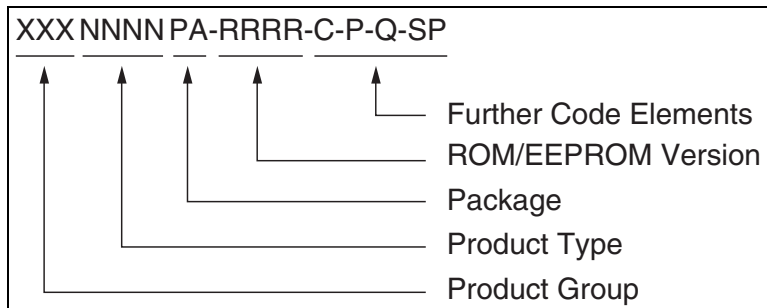


Fig. 2–1: Ordering code principle

For a detailed information, please refer to the brochure: “Micronas Sensors and Controllers: Ordering Codes, Packaging, Handling”.

2.1. Device-Specific Ordering Codes

The HAR 3927 is available in the following package.

Table 2–1: Available packages

Package Code (PA)	Package Type
DJ	SOIC8

For available variants for Configuration (C), Packaging (P), Quantity (Q), and Special Procedure (SP) please contact TDK-Micronas.

Table 2–2: Ordering Information

Product	Package	ROM/EEPROM Version	Further Code [-C-P-Q-SP]
HAR3927	DJ = SOIC8	4301	See TDK-Micronas Ordering Information

Table 2–3: Available ordering codes and corresponding package marking

Ordering Code	Package Marking	Description
HAR3927DJ-4301[-C-P-Q-SP]	 The image shows a small, dark, rectangular component with four pins extending from the top and bottom. The component is marked with the following text: 'R39274301' on the first line, 'Lot number' on the second line, and 'YWWD SB' on the third line. There is a small circular mark to the left of the third line of text.	Line 1: Product Type / ROM-ID Line 2: Lot number Line 3: Date code / Special Procedure SB (optional)

For available variants for Configuration (C), Packaging (P), Quantity (Q), and Special Procedure (SP) please contact TDK-Micronas.

3. Functional Description

3.1. General Function

HAR 3927 is a 2D position sensor based on TDK-Micronas' 3D HAL technology. It is a dual-die integrated circuit with fully redundant signals. Each die includes two vertical and one horizontal Hall-plate for the detection of X, Y, or Z magnetic-field components, a signal processor for calculation and signal conditioning of two magnetic-field components, protection devices, and a ratiometric analog or SENT output.

The Hall-plate signals are measured by two A/D converters, filtered and temperature compensated. Offset compensation by spinning current minimizes the errors due to supply voltage and temperature variations as well as external package stress. A linearization block can be used optionally to reduce the overall system non-linearity error, due to mechanical misalignment, magnet imperfections, etc.

Overall, the in-system calibration can be utilized by the system designer to optimize performance for a specific system. The calibration information is stored in an on-chip memory.

The calculated position information is provided as a ratiometric analog output voltage proportional to the position or via SENT frames according to SAE J2716 rev.4.

The HAR 3927 is programmable by modulation of the output voltage. No additional programming pin is needed and fast end-of-line programming is enabled.

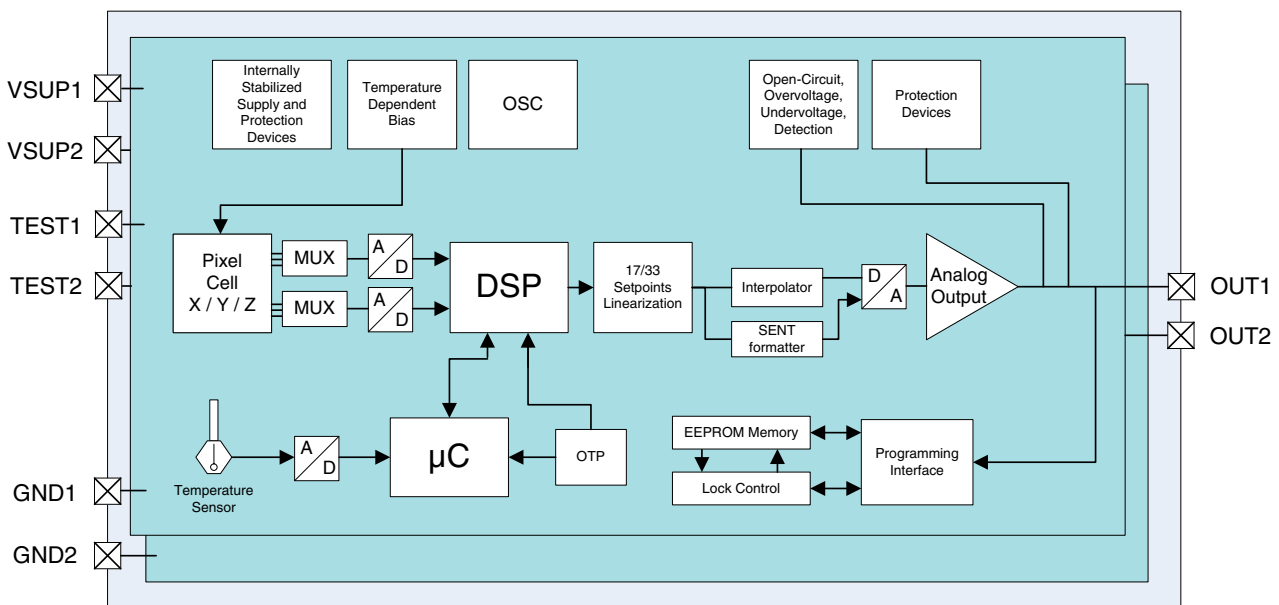


Fig. 3–1: HAR 3927 block diagram

3.2. Signal Path

The DSP part of this sensor performs the signal conditioning. The parameters for the DSP are stored in the memory registers. Details of the overall signal path are shown in Fig. 3–2.

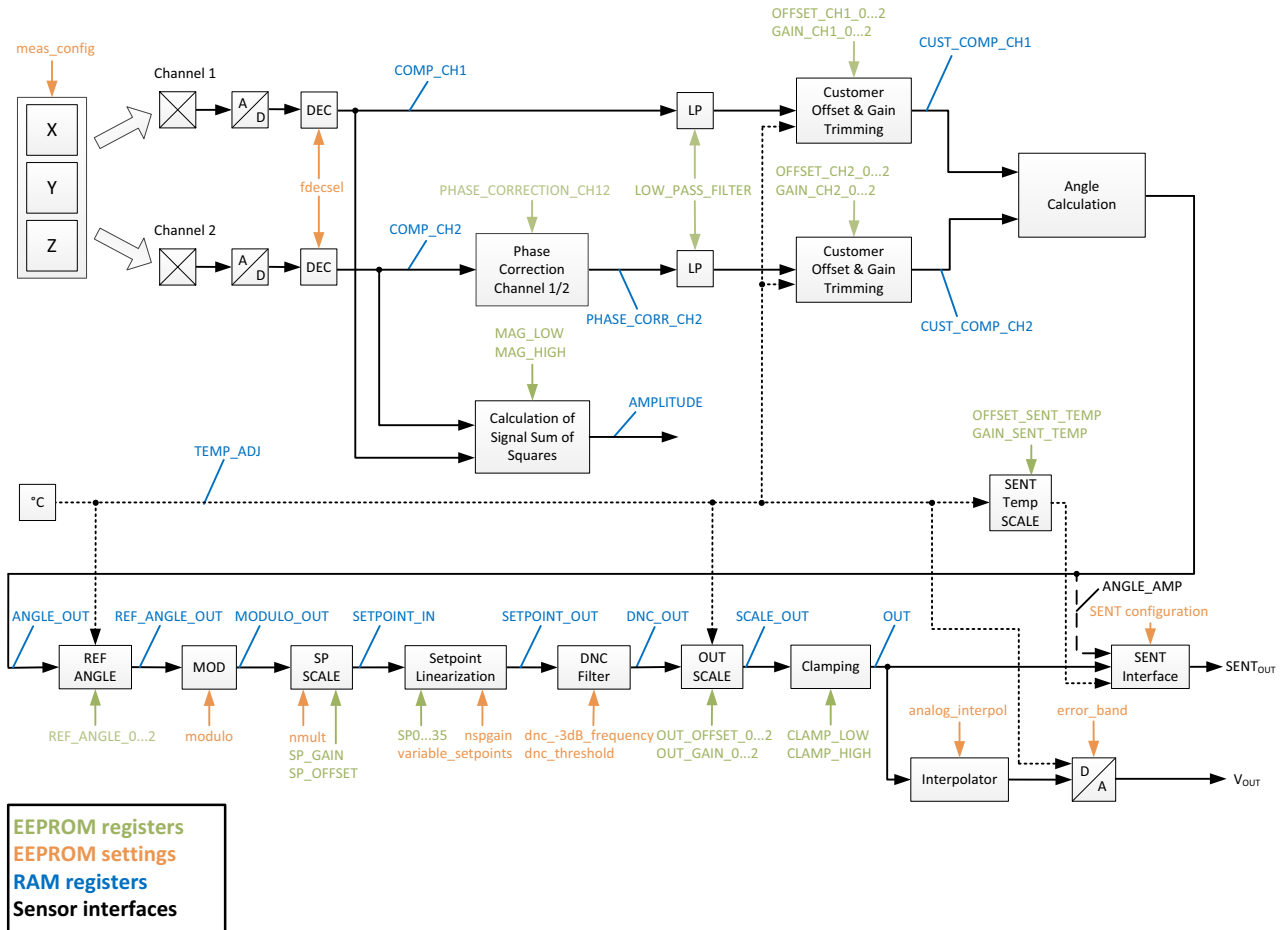


Fig. 3–2: Signal path of HAR 3927 (equal for both dies)

The sensor signal path contains two kinds of registers. Registers that are read-only and programmable registers (non-volatile memory). The **read-only (RAM) registers** contain measurement data at certain steps of the signal path and the **non-volatile memory registers (EEPROM)** change the sensor’s signal processing. **EEPROM settings** are individually configurable bits within an EEPROM register.

3.3. Register Definition

3.3.1. RAM Registers

TEMP_ADJ

The TEMP_ADJ register already contains the TDK-Micronas compensated digital value of the sensor's junction temperature.

COMP_CH1 and COMP_CH2

COMP_CH1 and COMP_CH2 registers contain the temperature-compensated magnetic-field information of channel 1 and channel 2.

AMPLITUDE

The AMPLITUDE register contains the sum of squares of the magnetic-field amplitude of the two signals calculated with the following equation. This information is used for the magnet loss detection:

$$\text{AMPLITUDE} = \frac{\text{COMP_CH1}^2}{32768} + \frac{\text{COMP_CH2}^2}{32768}$$

CUST_COMP_CH1 and CUST_COMP_CH2

CUST_COMP_CH1 and CUST_COMP_CH2 register contain the customer-compensated magnetic-field information of channel 1 and channel 2 used for the angle calculation. These registers contain already the customer phase-shift, gain and offset corrected data.

PHASE_CORR_CH2

PHASE_CORR_CH2 register contains the customer compensated magnetic-field information of channel 2 after customer phase-shift error correction using the PHASE_CORRECTION_CH12 register.

ANGLE_OUT

The ANGLE_OUT register contains the digital value of the position calculated by the angle calculation algorithm.

REF_ANGLE_OUT

The REF_ANGLE_OUT register contains the digital value of the angle information after setting the reference angle defining the zero angle position.

MODULO_OUT

The MODULO_OUT register contains the digital value of the angle information after applying the modulo calculation algorithm.

SETPOINT_IN

The SETPOINT_IN register contains the digital value of the angle information after the setpoint scaling block and are the values used for the input of the setpoint linearization block.

SETPOINT_OUT

The SETPOINT_OUT register contains the digital value of the angle information after the setpoint linearization block.

DNC_OUT

The DNC_OUT register contains the digital value of the angle information after the DNC filter.

SCALE_OUT

The SCALE_OUT register contains already the position information after the customer output scaling using the OUT_GAIN and OUT_OFFSET registers.

OUT

The OUT register contains the digital value of the angle information after all signal processing steps and depends on all customer configuration settings.

DIAGNOSIS

The DIAGNOSIS_0 and DIAGNOSIS_1 registers report certain failures detected by the sensor. HAR 3927 performs self-tests during power-up as well as continued system integrity tests during normal operation. The result of those tests is reported via the DIAGNOSIS_X registers.

Micronas IDs

The MIC_ID1 and MIC_ID2 registers are both 16 bit organized. They are read-only and contain TDK-Micronas production information, like X,Y position on the wafer, wafer number, etc. This register content will be send via the SENT interface if the serial message channel has been activated.

3.3.2. EEPROM Registers

Customer IDs

- The customer ID registers (CUSTOMER_ID0 to CUSTOMER_ID9) consist of ten 16-bit words and can be used to store customer production information, like serial number, project information, OEM codes, etc. The customer IDs will be part of the SENT Slow Channel in case that the SENT output is activated and transmission via Slow Channel is selected as well.

Magnetic Range Check

The magnetic range check uses the AMPLITUDE register value and compares it with an upper and lower limit threshold defined by the customer programmable registers MAG_LOW and MAG_HIGH. If either low or high limit is exceeded, the sensor will indicate an error.

Mag-Low Limit

MAG_LOW defines the low level for the magnetic-field range check function.

Mag-High Limit

MAG_HIGH defines the high level for the magnetic-field range check function.

Phase Correction

PHASE_CORRECTION_CH12 can be used to compensate a phase-shift of channel 2 in relation to channel 1.

Neutral value for the register is zero (no phase-shift correction).

Low-Pass Filter

With the LOW_PASS_FILTER register it is possible to select different –3 dB cutoff frequencies for HAR 3927. The default value is zero (low-pass filter disabled). The filter frequency is valid for both channels.

Gain for Channel 1 and 2

GAIN_CH1_0...2 and GAIN_CH2_0...2 can be used to compensate amplitude mismatches between channel 1 and channel 2. TDK-Micronas delivers pre calibrated sensors with compensated gain mismatch. Nevertheless, it is possible that due to the magnetic circuit a mismatch between the channels occurs.

In addition a temperature-dependent gain can be added for both channels. GAIN_CHx_0...2 supports a polynomial of 2nd order. This means that a constant, linear and quadratic gain factor can be programmed.

Customer Offset

OFFSET_CH1_0...2 and OFFSET_CH2_0...2 can be used to compensate a remaining offset in channel 1 and channel 2. TDK-Micronas delivers pre calibrated sensors. Nevertheless it is possible that due to the magnetic circuit an offset in channel 1 and 2 occurs. This can be compensated with OFFSET_CHx_0...2.

The customer offset can have a temperature coefficient to follow the temperature coefficient of a magnet. The customer offset consists of a polynomial of second order. This means that a constant, linear and quadratic offset factor can be programmed.

Reference Angle Position

The output signal zero position defines the reference position for the angle output and therefore it is possible to shift the discontinuity in the output characteristics out of the measurement range with these parameters. It can be set to any value of the angular range.

REF_ANGLE_0...2 defines a polynomial of second order with REF_ANGLE_0 (constant part), REF_ANGLE_1 (linear part) and REF_ANGLE_2 (quadratic part).

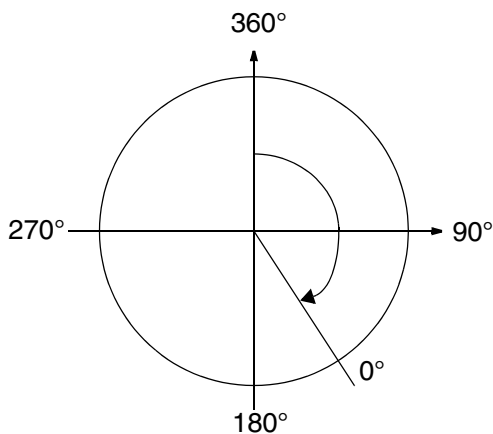


Fig. 3–3: Example definition of zero degree point

Setpoint Gain

SP_GAIN and nmult define the gain of the input signal for the linearization block. They are used to scale the position information to the input range of the linearization block.

Setpoint Offset

SP_OFFSET defines the offset of the input signals for the linearization block. They are used to scale the position information to the input range of the linearization block.

Setpoint Linearization

The setpoint linearization block enables the linearization of the sensor's output characteristic for the customer's application. For fixed setpoints it consists of 33 setpoints (SP0, SP1, ..., SP32). Each setpoint is defined by its fixed X position and its programmable Y value. The setpoint X positions (SP(n)_X) are equally distributed between $-32768 \dots 32767$ LSB.

The setpoint registers have a length of 16 bits and are two's complement coded. Therefore the setpoint Y values (SP(n)_Y) can vary between $-32768 \dots 32767$ LSB.

Alternatively 17 variable setpoints can be used. In this case the 17 setpoint X positions and 19 setpoint Y values (the first corresponds to position -32768 and the last to 32767) are freely programmable.

The SETUP_DATAPATH[1:0] bits (= variable_setpoints) offer the selection between 33 fixed and 17 variable setpoints and if the setpoint Y values are stored absolutely or differentially to their setpoint X positions.

The setpoint register values are initially set to 0 (neutral) by default. The setpoint linearization block works in a way that the incoming signal (SETPOINT_IN value) is interpolated linearly between two adjacent setpoints (SP(n) and SP(n+1)). The resulting SETPOINT_OUT register value represents the angular information after the setpoint scaling.

nspgain

The SETUP_DATAPATH[5:2] bits (= nspgain) set the gain exponent for the internal setpoint slope calculation, which is used for variable setpoints only.

DNC Filter Register (dnc_–3dB_frequency & dnc_threshold)

The DNC (Dynamic Noise Cancellation) filter decreases the output noise significantly by adding a low-pass filter with a very low cut-off frequency for signals below a certain signal change threshold (dnc_threshold, DNC[15:8]).

The attenuation factor dnc_–3 dB_frequency of this IIR filter can be selected by the bits DNC[7:0] of the DNC register. Both parameters have a length of 8 bits.

For dnc_threshold only values from 0 to 255 are allowed. For the dnc_–3 dB_frequency only cut-off frequencies up to 50% of the sample frequency ($0.5 \cdot f_{\text{dec sel}}$) are allowed. To disable the DNC filter both registers must be set to 0.

Clamping Levels (CLAMP_LOW & CLAMP_HIGH)

The clamping levels CLAMP_LOW and CLAMP_HIGH define the maximum and minimum output values. The two registers have a bit length of 16 bit. Both clamping levels can have values between 0% FS and 100% FS.

Output Gain

OUT_GAIN_0...2 defines the final gain scaling for the desired output signal. It can also be used to invert the output signal. The register has a length of 16 bit. OUT_GAIN_0...2 supports a polynomial of 2nd order. This means that a constant, linear and quadratic gain factor can be programmed.

Output Offset

OUT_OFFSET_0...2 defines the final offset scaling for the desired output signal. The register has a length of 16 bit. OUT_OFFSET_0...2 supports a polynomial of 2nd order. Hence, a constant, linear and quadratic offset factor can be programmed.

Interpolator (analog_interpol)

HAR 3927 features a programmable interpolator before the D/A converter. The interpolator provides a linear interpolation between two successive 8 kHz samples, resulting in an increased update rate at the input of the DAC.

The benefit of this block are reduced amplitude steps by a factor of 32, resulting in a smoother DAC analog output and reduced out-of-band noise.

Please note, that the interpolator does not change the overall signal bandwidth.

The interpolator can be switched on and off.

SENT Temperature Scaling

If SENT H.1 Format of secondary output (2nd fast channel SENT) is selected, the registers OFFSET_SENT_TEMP and GAIN_SENT_TEMP can be used for offset and gain scaling of the digital value of the sensor's junction temperature.

Customer Configuration Registers

SETUP_FRONTEND, SETUP_DATAPATH, SETUP_OUTPUT and SETUP_SUPERVISION registers are 16-bit registers that enable the customer to activate various functions of the sensor. The table below describes in detail the available combinations and resulting functions.

Table 3–1: SETUP_FRONTEND

Bit No.	Function	Description
15:9	–	Reserved
8	customer_burnin	Customer burn-in mode 0: disabled 1: activated
7:6	fdecsel	Decimation frequency: 00: 2 kSps 01: 4 kSps 10: 8 kSps 11: reserved
5:2	–	Reserved
1:0	meas_config	Measurement configuration 00: CH1: X CH2: Y 01: CH1: X CH2: Z 10: CH1: Y CH2: Z 11: reserved

Table 3–2: SETUP_DATAPATH

Bit No.	Function	Description
15	fusa_en	Functional Safety support 0: Limited FuSa support 1: Full FuSa support Note: If fusa_en = 0 (SETUP_DATAPATH[15] = 0) not all Functional Safety diagnostic mechanisms are active. In this configuration, HAR 3927 is not defined as SEooC ASIL B ready according to ISO 26262. Further details can be found in Section 4. on page 32.
14:13	-	Reserved
12:11	modulo	Modulo operation: 00: No Modulo 01: Modulo 90° 10: Modulo 120° 11: Modulo 180°
10:8	nmult	Gain exponent for SETPOINT_IN channel 1 $SP_Gain = SP_GAIN \times 2^{nmult}$
7:6	–	Reserved
5:2	nspgain	Gain exponent for internal setpoint slope calculation (only for variable setpoints) $Slope = SPGn \times 2^{nspgain+1}$
1:0	variable_setpoints	Fixed/variable setpoints: 00: fixed setpoints, absolutely stored SP_Y values 01: fixed setpoints, differentially stored SP_Y values 10: variable setpoints, absolutely stored SP_Y values 11: variable setpoints, differentially stored SP_Y values

Table 3–3: SETUP_OUTPUT

Bit No.	Function	Description																		
15:14	primary_output	Primary output protocol selection: 00: Analog 01: SENT 10: reserved 11: reserved																		
Analog Output (SETUP_OUTPUT[15:14] = 00)																				
13:1	–	Reserved																		
0	analog_interpol	Analog output interpolator: 0: off 1: on																		
SENT Output (SETUP_OUTPUT[15:14] = 01)																				
13	–	Reserved																		
12	secondary_output	0: ANGLE_AMP 1: TEMP_SENT																		
11:8	sent_slew_rate	Slew rate control: 0xxx: slew rate control disabled 1000: Fall: 5V/1.0µs, Rise: 5V/1.0µs 1001: Fall: 5V/1.0µs, Rise: 5V/1.5µs 1010: Fall: 5V/1.2µs, Rise: 5V/1.2µs 1011: Fall: 5V/1.2µs, Rise: 5V/2.7µs 1100: Fall: 5V/1.6µs, Rise: 5V/1.6µs 1101: Fall: 5V/1.6µs, Rise: 5V/5.2µs 1110: Fall: 5V/2.7µs, Rise: 5V/2.7µs 1111: Fall: 5V/2.7µs, Rise: 5V/10.3µs Measured from/to 1.1V to/from 3.8 V with C _L =4.7 nF, V _{SUP} = 5V																		
7	sent_synchronicity	Synchronicity mode: 0: SENT Continuous 1: SENT with Pause Pulse																		
6:4	sent_tick_time	SENT tick time selection (typ. value): 000: reserved 001: 1.50 µs 010: 2.00 µs 011: 2.50 µs 100: 2.75 µs 101: 3.00 µs 110: 6.00 µs 111: 12.0 µs Note: Not all combinations of tick time and repetition rate are possible.																		
3:0	sent_repetition_rate	<table border="0"> <tr> <td>SENT data rate</td> <td>SENT message length (PPC)</td> </tr> <tr> <td>0000: reserved</td> <td>1000: 225 ticks</td> </tr> <tr> <td>0001: reserved</td> <td>1001: 239 ticks</td> </tr> <tr> <td>0010: 2.66 kHz</td> <td>1010: 250 ticks</td> </tr> <tr> <td>0011: 2 kHz</td> <td>1011: 269 ticks</td> </tr> <tr> <td>0100: 1.6 kHz</td> <td>1100: 294 ticks</td> </tr> <tr> <td>0101: 1 kHz</td> <td>1101: 366 ticks</td> </tr> <tr> <td>0110: 0.8 kHz</td> <td>1110: 375 ticks</td> </tr> <tr> <td>0111: 0.5 kHz</td> <td>1111: 450 ticks</td> </tr> </table>	SENT data rate	SENT message length (PPC)	0000: reserved	1000: 225 ticks	0001: reserved	1001: 239 ticks	0010: 2.66 kHz	1010: 250 ticks	0011: 2 kHz	1011: 269 ticks	0100: 1.6 kHz	1100: 294 ticks	0101: 1 kHz	1101: 366 ticks	0110: 0.8 kHz	1110: 375 ticks	0111: 0.5 kHz	1111: 450 ticks
SENT data rate	SENT message length (PPC)																			
0000: reserved	1000: 225 ticks																			
0001: reserved	1001: 239 ticks																			
0010: 2.66 kHz	1010: 250 ticks																			
0011: 2 kHz	1011: 269 ticks																			
0100: 1.6 kHz	1100: 294 ticks																			
0101: 1 kHz	1101: 366 ticks																			
0110: 0.8 kHz	1110: 375 ticks																			
0111: 0.5 kHz	1111: 450 ticks																			

Table 3–4: SETUP_SUPERVISION

Bit No.	Function	Description
15	customer_lock	Customer lock 0: unlocked 1: locked
14:13	overcurrent_configuration	Overcurrent configuration customer_lock = 0 (SETUP_SUPERVISION[15] = 0) xx: entering Listen Mode via OUT Pin always enabled customer_lock = 1 (SETUP_SUPERVISION[15] = 1) 00: entering Listen Mode via OUT Pin enabled 01: entering Listen Mode via OUT Pin disabled. In case of an overcurrent event, output goes to tristate and returns to Application Mode after approx. 80 ms 10: entering Listen Mode via OUT Pin disabled. Output continues driving also in case of overcurrent. 11: reserved
12	–	Reserved
11:10	short_current_limit	Short current limitation levels (only valid for Analog, in SENT mapped to 00) 00: 19.0 mA 01: 22.0 mA 10: 25.5 mA 11: 28.5 mA
9:8	overcurrent_level	Overcurrent (OC) detection levels (only valid for Analog, in SENT mapped to 00) 00: on: 4.75 mA, off: 3.75 mA 01: on: 8.5 mA, off: 7.5 mA 10: on: 12.5 mA, off: 11.5 mA 11: on: 16.5 mA, off: 15.5 mA
7	dis_temp_sup	Temperature supervision 0: enabled 1: disabled Note: If dis_temp_sup = 1 (SETUP_SUPERVISION[7] = 1) is selected, the temperature range supervision as well as the plausibility check of the redundant temperature sensor are disabled. In this case, HAR 3927 is not defined as SEooC ASIL B ready according to ISO 26262. Further details can be found in Section 4. on page 32.
6	–	Must be set to 1
5:4	ov_level	Overvoltage threshold 00: 9.3 V 01: 5.7 V 10: reserved 11: reserved
3:2	uv_level	Undervoltage threshold 00: 3.8 V 01: 4.1 V 10: 4.25 V 11: reserved
1	–	Must be set to 0
0	error_band	Error band mode 0: low level on error 1: high level on error

3.4. SENT Output Protocol

The HAR 3927 complies with the SAEJ2716 standard rev.4 and supports the following three frame formats:

– H.1 Format: Two 12-bit Fast Channels

- A.1 Dual Throttle Position Sensors: 3 nibble position information and 3 nibble negated position information (1-position)
- A.7 Position Sensors: 3 nibble position information and 3 nibble temperature information or magnetic-field amplitude

– H.2 Format: One 12-bit Fast Channel (3 nibble position information)

– H.4 Format: Secure Single Sensors with 12-bit Fast Channel (3 nibble position information) and 12-bit Secure Sensor Information

█ All frame formats are customer selectable via bits (Table 3–3 on page 19 and Table 3–5).

Beside the supported frame formats, a lot of other SENT interface parameter can be configured by the customer, like tick time, pause pulse, start-up behavior, transmission of error codes, serial message channel content, etc. All configurable parameter are defined in Table 3–3, Table 3–5 and Table 3–14.

In SENT output mode, the unidirectional communication from the sensor to a receiver module (e.g. an Electronic Control Unit) occurs independently of any action of the receiver module. It does not require any synchronization signal from the receiver module and does not include a coordination signal from the controller/receiving devices.

Table 3–5: SETUP_PROTOCOL

Bit No.	Function	Description
15:14	sent_channel_format	SENT fast channel data format: 00: H.2, CH1 primary channel 01: H.4, CH1 primary channel, CH2 secure counter 10: H.1 - A1, CH1 primary channel, CH2 inverse primary channel 11: H.1 - A.7, CH1 primary channel, CH2 secondary channel
13:12	sent_low_time	SENT low time: 00: 3 ticks 01: 4 ticks 10: 5 ticks 11: 6 ticks
11	sent_crc_type	CRC type: 0: CRC acc. SAEJ2716 rev. 2010 1: legacy CRC acc. SAEJ2716 rev. 2008
10	sent_status_crc	Include status nibble in CRC 0: disabled (conformal to SENT) 1: enabled
9	sent_wakeup_behaviour	SENT start-up behavior: 0: send 4094 during start-up 1: send 0 during start-up
8	-	Reserved

Table 3–5: SETUP_PROTOCOL, continued

Bit No.	Function	Description
7	-	Reserved
6	sent_error_status	SENT error status bits (see Section 3.4.4. on page 26): 0: always zero 1: according to SENT SAE J2716
5	sent_fast_error_codes	SENT transmission of error codes on fast channel 0: disabled 1: enabled
4	sent_slow_channel_format	Slow serial channel format: 0: No serial message channel 1: 12-bit enhanced serial message format
3:1	sent_slow_channel_content	Selection which blocks have to be send in addition to block 1 in the slow channel: xx1: Block 2 x1x: Block 3 1xx: Block 4+5
0	sent_sdf	SENT SDF mode: 0: Send diagnosis info in front of every block 1: Send diagnosis info in front of every ID

3.4.1. H.1 Format: 6 Data Nibble Frame with Two Fast Channels

In this SENT mode the sensor transmits SENT frames with 6 data nibbles.

Two different application specific protocols are supported:

- A.1 Dual Throttle Position Sensors
- A.7 Position Sensors

In case of A.1 the first 3 data nibbles contain a 12-bit position information and the second 3 data nibbles contain the negated position of the first 3 nibbles (1-position).

In case of A.7 the first 3 data nibbles contain a 12-bit position information and the second 3 data nibbles contain a 12-bit temperature information or 12-bit magnetic-field amplitude information (customer configurable: Table 3–3). They are formatted according to Table 3–6.

Table 3–6: Nibble description for H.1 A.1 format

Pulse		Remarks
#	Description	
1	Synchronization/ Calibration	It is mandatory to measure the synchronization / calibration period for calibration of the clock tick time t_{tick} at the ECU
2	4-bit Status & Communication Nibble	Status [0...1]: According selection in Table 3–5 Status [2...3]: According selection in Table 3–5
3	4-bit Data Nibble MSN 1	Position Value [11:8]
4	4-bit Data Nibble MidN 1	Position Value [7:4]
5	4-bit Data Nibble LSN 1	Position Value [3:0]
6	4-bit Data Nibble LSN 2	Negated Position Value[3:0]
7	4-bit Data Nibble MidN 2	Negated Position Value[7:4]
8	4-bit Data Nibble MSN 2	Negated Position Value[11:8]
9	4-bit CRC Nibble	According selection in Table 3–5
10	Pause Pulse	According selection in Table 3–3

Table 3–7: Nibble description for H.1 A.7 format

Pulse		Remarks
#	Description	
1	Synchronization/ Calibration	It is mandatory to measure the synchronization / calibration period for calibration of the clock tick time t_{tick} at the ECU
2	4-bit Status & Communication Nibble	Status [0...1]: According selection in Table 3–5 Status [2...3]: According selection in Table 3–5
3	4-bit Data Nibble MSN 1	Position Value [11:8]
4	4-bit Data Nibble MidN 1	Position Value [7:4]
5	4-bit Data Nibble LSN 1	Position Value [3:0]
6	4-bit Data Nibble LSN 2	Value [3:0] -> According selection in Table 3–5 on page 21
7	4-bit Data Nibble MidN 2	Value [7:4] -> According selection in Table 3–5 on page 21
8	4-bit Data Nibble MSN 2	Value [11:8] -> According selection in Table 3–5 on page 21
9	4-bit CRC Nibble	According selection in Table 3–5
10	Pause Pulse	According selection in Table 3–3

3.4.2. H.2 Format: 3 Data Nibble Frame with One Fast Channel

Following application-specific protocol is supported:

- A.7 Position Sensors

In this mode, the sensor transmits SENT frames with 3 data nibbles containing 12-bit position information. They are formatted according to Table 3–8.

Table 3–8: Nibble description for 3 data nibble frame format with one Fast Channel

Pulse		Remarks
#	Description	
1	Synchronization/ Calibration	It is mandatory to measure the synchronization / calibration period for calibration of the clock tick time t_{tick} at the ECU
2	4-bit Status & Communication Nibble	Status [0...1]: According selection in Table 3–5 on page 21 Status [2...3]: According selection in Table 3–5 on page 21
3	4-bit Data Nibble MSN 1	Position Value [11:8]
4	4-bit Data Nibble MidN 1	Position Value [7:4]
5	4-bit Data Nibble LSN 1	Position Value [3:0]
6	4-bit CRC Nibble	According selection in Table 3–5 on page 21
7	Pause Pulse	According selection in Table 3–3 on page 19

3.4.3. H.4 Format: Secure Single Sensors with 12-bit Fast Channel

Following application-specific protocol is supported:

- A.7 Position Sensors

In this SENT mode, the sensor transmits SENT frames with 3 data nibbles containing 12-bit position information as well as 3 data nibbles containing 12-bit secure sensor information. The secure sensor information consists of an 8-bit rolling counter and the inverted copy of the MSN of the transmitted position information. They are formatted according to Table 3–9.

Table 3–9: Nibble description for 6 data nibble frame format with secure information

Pulse		Remarks
#	Description	
1	Synchronization/ Calibration	It is mandatory to measure the synchronization / calibration period for calibration of the clock tick time t_{tick} at the ECU
2	4-bit Status & Communication Nibble	Status [0...1]: According selection in Table 3–5 Status [2...3]: According selection in Table 3–5
3	4-bit Data Nibble MSN 1	Position Value [11:8]
4	4-bit Data Nibble MidN 1	Position Value [7:4]
5	4-bit Data Nibble LSN 1	Position Value [3:0]
6	4-bit Data Nibble MSN 2	Rolling Counter MSN
7	4-bit Data Nibble MidN 2	Rolling Counter LSN
8	4-bit Data Nibble LSN 2	Inverted Copy of Data Nibble MSN 1
9	4-bit CRC Nibble	According selection in Table 3–5
10	Pause Pulse	According selection in Table 3–3

3.4.4. Error Diagnostic Reporting on Fast Channel and Status Bits

The error diagnostic reporting is customer configurable. By setting bits in the SETUP_PROTOCOL register (see Table 3–5 on page 21) different error handling can be activated:

- Always zero: Status bits are always set to zero independent from an error
- Error indication according to SAE J2716 rev. 4: The Status bits are set to one in case of “sensor error indication” or “sensor functionality and processing error indication”

In addition, the diagnostic can be reported through the 12-bit payload of channel 1 and/or channel 2. Table 3–10 shows the values that will be sent in case of an internal error.

Table 3–10: Error codes transmitted on Fast Channel 1 and/or 2

Error	Code		A.1 Mode	
	CH 1	CH 2	CH 1	CH 2
A.1 error code	–	–	4095	4095
Sensor error indication	4091	4091	N/A	N/A
Sensor functionality and processing error indication	4090	4090	–	–
Data Clamping: High	1)	1)	1)	1)
Data Clamping: Low	1)	1)	1)	1)
1) The output will clamp according to the settings for CLAMP_HIGH and CLAMP_LOW				

A description with the mapping of internal errors with “Sensor error indication” and “Sensor functionality and processing error indication” can be found in Table 3–15 on page 30.

The transmission of error codes on Fast Channel 1 and/or 2 can be deactivated by a customer EEPROM bit (bit[5] of SETUP_PROTOCOL, Table 3–5 on page 21). The sensor will then continue to transmit measurement data. Status error bits will be transmitted according to bits[7:6] in the SETUP_PROTOCOL register.

Note It is not recommended to deactivate the transmission of the error codes on the Fast Channel 1 and/or 2.

3.4.5. Pause Pulse

The pause pulse is present at the end of every frame as defined by the SAE J2716 standard. HAR 3927 offers two options:

PPC: The length of the pause pulse is automatically adjusted in order to achieve a constant frame length independent from the message content. The overall length can be defined by the sent_repetition_rate bits (SETUP_OUTPUT bits[3:0]). Two different types of PPC are supported. For the first type the overall frame length is defined in fixed μ s steps and for the second type the frame length is adapted to a fixed sample rate (see Table 3–3 on page 19).

Table 3–11: Message length for PPC (ticks related)

SETUP_OUTPUT [3:0]	1000	1001	1010	1011	1100	1101	1110	1111
ticks PPC	225	239	250	269	294	366	375	450

Following PPC message length are supported for the various frame formats:

Table 3–12: Recommended PPC message length

ticks PPC	H.1 A.1 Format: 6 Data Nibble Frame	H.1 A.7 Format: 6 Data Nibble Frame	H.2 A.7 Format: 3 Data Nibble Frame	H.4 A.7: Secure Single Sensor
	PP Length [ticks]	PP Length [ticks]	PP Length [ticks]	PP Length [ticks]
225	–	–	36	–
239	–	–	50	–
250	–	–	61	–
269	44	–	80	–
294	69	24	105	39
366	141	96	177	111
375	150	105	186	120
450	225	180	261	195

Table 3–13: Message repetition rate for PPC (sampling aligned)

SETUP_OUTPUT [3:0]	0000	0001	0010	0011	0100	0101	0110	0111
frequency PPC [kHz]	–	–	2.66	2.00	1.60	1.00	0.80	0.50

NPP: It is also possible that in case of deactivated pause pulse (npp), some samples may be transmitted twice in series due to the fact that the message time can be shorter than the sample time. Status[0] bit will then be set to one in case that a sample is transmitted twice.

3.4.6. CRC Implementation

HAR 3927 is supporting the recommended CRC implementation defined in SAEJ2716 Rev. 4. The Legacy CRC can also be activated by bit[11] in the SETUP_PROTOCOL register (see Table 3–5 on page 21). It is possible to include the status nibble in the CRC calculation. This function can be activated by bit[10] in the SETUP_PROTOCOL register as well.

3.4.7. Slow Channel: Enhanced Serial Message

HAR 3927 supports a Slow Channel according to the Enhanced Serial Message with 12-bit data and 8-bit message ID. It is also possible to deactivate the Slow Channel by setting bit[4] in the SETUP_PROTOCOL register (see Table 3–5 on page 21).

3.4.8. Slow Channel: Serial Message Sequence

The device can transmit the serial message sequence shown in Table 3–14. The content/length of the serial message can be tailored by configuration bits in the SETUP_PROTOCOL register (see Table 3–5 on page 21). It is possible to activate up to five blocks. Block 1 will always be transmitted if the serial message channel is activated.

Table 3–14: Serial message sequence

Block	#	8-bit ID	Item	12-bit Data	Comment
1	1	0x01	Error Codes	(see Table 3–15 on page 30)	
	2	0x03	Sensor type	(see Section 3.4.10. on page 31)	Bits 0...11 in CUSTOMER_ID0 register (12 bit) Examples: 0x050 = not specified position sensor 0x055 = position & secure channel 0x060 = angle sensor 0x064 = angle sensor + secure channel, etc.
	3	0x05	Manufacturer Code	0x007	TDK Manufacturer Code
	4	0x06	Protocol Revision	0x004	SAE J2716 rev. 4
	5	0x23	Temperature	1 to 4088 temperature data	Temperature information according SAE J2716
2	6	0x01	Error Codes	(see Table 3–15 on page 30)	
	7	0x29	TDK-Micronas SN	8-bit MSB MIC_ID1	Right aligned
	8	0x2A	TDK-Micronas SN	8-bit LSB MIC_ID1	Right aligned
	9	0x2B	TDK-Micronas SN	8-bit MSB MIC_ID2	Right aligned
	10	0x2C	TDK-Micronas SN	8-bit LSB MIC_ID2	Right aligned
3	11	0x01	Error Codes	(see Table 3–15 on page 30)	Customer configurable
	12	0x07	Fast CH1 - X1	Fast channel 1 characteristics	Bits 0...11 in CUSTOMER_ID1 register
	13	0x08	Fast CH1 - X2	Fast channel 2 characteristics	Bits 12...15 in CUSTOMER_ID1 register Bits 0...7 in CUSTOMER_ID2 register
	14	0x09	Fast CH1 - Y1	Fast channel 1 characteristics	Bits 8...15 in CUSTOMER_ID2 register Bits 0...3 in CUSTOMER_ID3 register
	15	0x0A	Fast CH1 - Y2	Fast channel 2 characteristics	Bits 4...15 in CUSTOMER_ID3 register

Table 3–14: Serial message sequence, continued

Block	#	8-bit ID	Item	12-bit Data	Comment
4	16	0x01	Error Codes	(see Table 3–15 on page 30)	
	17	0x90	OEM Code 1 ID	ASCII character OEM Codes	Bits 0...11 in CUSTOMER_ID4 register
	18	0x91	OEM Code 2 ID	ASCII character OEM Codes	Bits 12...15 in CUSTOMER_ID4 register Bits 0...7 in CUSTOMER_ID5 register
	19	0x92	OEM Code 3 ID	ASCII character OEM Codes	Bits 8...15 in CUSTOMER_ID5 register Bits 0...3 in CUSTOMER_ID6 register
	20	0x93	OEM Code 4 ID	ASCII character OEM Codes	Bits 4...15 in CUSTOMER_ID6 register
5	21	0x01	Error Codes	(see Table 3–15 on page 30)	
	22	0x94	OEM Code 5 ID	ASCII character OEM Codes	Bits 0...11 in CUSTOMER_ID7 register
	23	0x95	OEM Code 6 ID	ASCII character OEM Codes	Bits 12...15 in CUSTOMER_ID7 register Bits 0...7 in CUSTOMER_ID8 register
	24	0x96	OEM Code 7 ID	ASCII character OEM Codes	Bits 8...15 in CUSTOMER_ID8 register Bits 0...3 in CUSTOMER_ID9 register
	25	0x97	OEM Code 8 ID	ASCII character OEM Codes	Bits 4...15 in CUSTOMER_ID9 register

Alternatively, the Error Code can be transmitted as every second Slow Channel message by selecting a bit in the SETUP_PROTOCOL register (see Table 3–5 on page 21)

3.4.9. Slow Channel: Serial Message Error Codes

Diagnostic status codes are transmitted via the serial message. The 8-bit message ID for the diagnostic status code is 01h. HAR 3927 features the error codes described in Table 3–15.

Table 3–15: Serial message error codes

Bit Position	Error Type	Fast Channel Error Code
0	Memory self-test error or checksum error	4090
1	ADC error or DSP self-test error	4090
2	Voltage regulator error	4090
3	ADC clipping	4091
4	Invalid temperature sensor values	4090
5	Signal path under/ overflow	CLAMP_LOW/CLAMP_HIGH
6	Overvoltage warning	4091
7	Undervoltage warning	4091
8	Reserved	N/A
9	Hall-plate error	4090
10	Magnet field out of range (MAG_HIGH, MAG_LOW)	4091
11	Always set to one	–

3.4.10. Slow Channel: Sensor Types

HAR 3927 can transmit the sensor type information via the Slow Channel. The sensor type depends on the final customer application and is therefore customer programmable. The 12-bit value for the sensor type can be directly stored in CUSTOMER_ID0 register.

3.4.11. Start-Up Behavior

HAR 3927 can either transmit frames with value zero until a valid information is available (SAEJ2716 conform) or alternatively frames with 4094. The start-up behavior is customer configurable by a bit in the SETUP_PROTOCOL register (see Table 3–5 on page 21).

3.4.12. Message Time for SENT Frames in PP Mode

The SENT frame repetition frequency (sent_repetition_rate in SETUP_OUTPUT[3:0] register) is defined by the position sampling frequency. The selectable SENT frame repetition frequency is limited by the configured tick time, the transmitted data value and the minimum and maximum pause pulse duration.

The tick time is customer programmable and can be selected between 1.5 μ s and 12 μ s.

The pulse low time can be configured to 3, 4, 5 and 6 ticks.

The delivery of new position values is synchronous with the SENT messages, i.e. one SENT message is transmitted per position sample. Thus, the propagation delay is very low and the message time is nearly constant.

4. Functional Safety

4.1. Functional Safety Manual and Functional Safety Report

The Functional Safety Manual for HAR 3927 contains the necessary information to support customers to realize a safety compliant application by integrating HAR 3927, as an ASIL B ready component, in their system. The Functional Safety Manual will be provided upon request.

The Functional Safety Analysis Report describes the assumed Safety Goal, the corresponding Failure Modes as well as the Base Failure Rate for die and package according to IEC TR 62380. It can be provided based on a TDK-Micronas mission profile as well as customer mission profiles.

4.2. Integrated Diagnostic Mechanism

HAR 3927 performs self-tests during start-up and normal operation. In order to integrate HAR 3927 with analog output mode as an ASIL B ready component, the external ECU on system level has to measure and compare the two analog output signals of the dual-die sensor.

The internal diagnostic mechanisms increase the robustness of the device functionality by either preventing the sensor to provide wrong output signals or by reporting the failure according SENT definition. For further details about error reporting in case of SENT output see Section 3.4. on page 21.

Configured to analog output mode, the sensor indicates a fault by switching the output signal to the selected error band.

The sensor switches the output to ground in case of a VSUP wire break and to V_{SUP} in case of a GND wire break.

The result of the internal diagnostics is as well available via the DIAGNOSIS_X registers.

Table 4–1: DIAGNOSIS_0 register

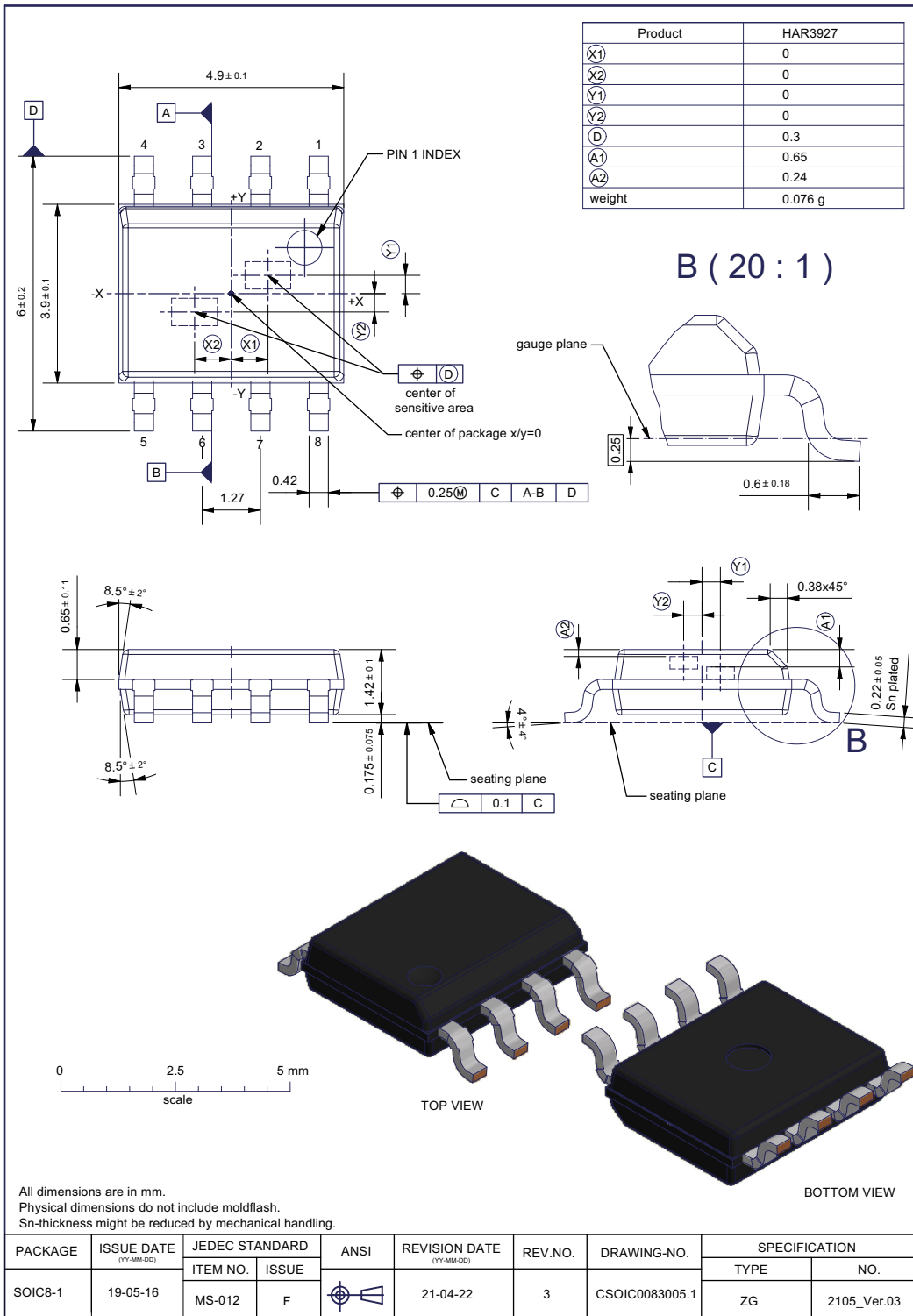
Bit no.	Description when bit is set to 1
15	DSP self-check routines (redundancy or plausibility checks)
14	DSP and μ C check of 16-bit checksum covering the EEPROM parameter
13	DSP checksum for ROM and RAM
12	Chip junction temperature out of range
11	Plausibility check of redundant temperature sensor
10	Hall-plate supply too high
9	Hardware overtemperature supervision: Junction temperature > 180°C
8	Reserved
7	One of the A/D converters delivers a stuck signal
6	Overflow or underflow of decimation filter
5	Magnetic field amplitude is above the MAG_HIGH threshold
4	Magnetic field amplitude is below the MAG_LOW threshold
3	The result of the position calculation exceeds the programmed upper threshold register value (CLAMP_HIGH)
2	The result of the position calculation falls below the programmed lower threshold register value (CLAMP_LOW)
1	Hall-plate current out of range
0	Reserved
Note: Bit[13] can not be read via the programming interface as they are triggering immediately a reset of the device. Bit [9] can not be read via the programming interface as the output will not respond.	

Table 4–2: DIAGNOSIS_1 register

Bit no.	Description when bit is set to 1
15, 10	Supply Overvoltage
14	General purpose ADC error
13, 11	Supply Undervoltage
12	Bandgap voltage out of range
9	Internal analog voltage out of range
8	Internal digital voltage out of range
7	μ C self-test error
6	μ C ROM OP code error
5:0	Reserved
Note: Bits[7:6] cannot be read via the programming interface as they are triggering immediately a reset of the device.	

5. Specifications

5.1. Outline Dimensions



Copyright 2018 TDK-Micronas GmbH, all rights reserved

Fig. 5-1:
SOIC8-1: Plastic small outline IC package, 8 leads, gullwing bent, 150 mil
 Ordering code: DJ

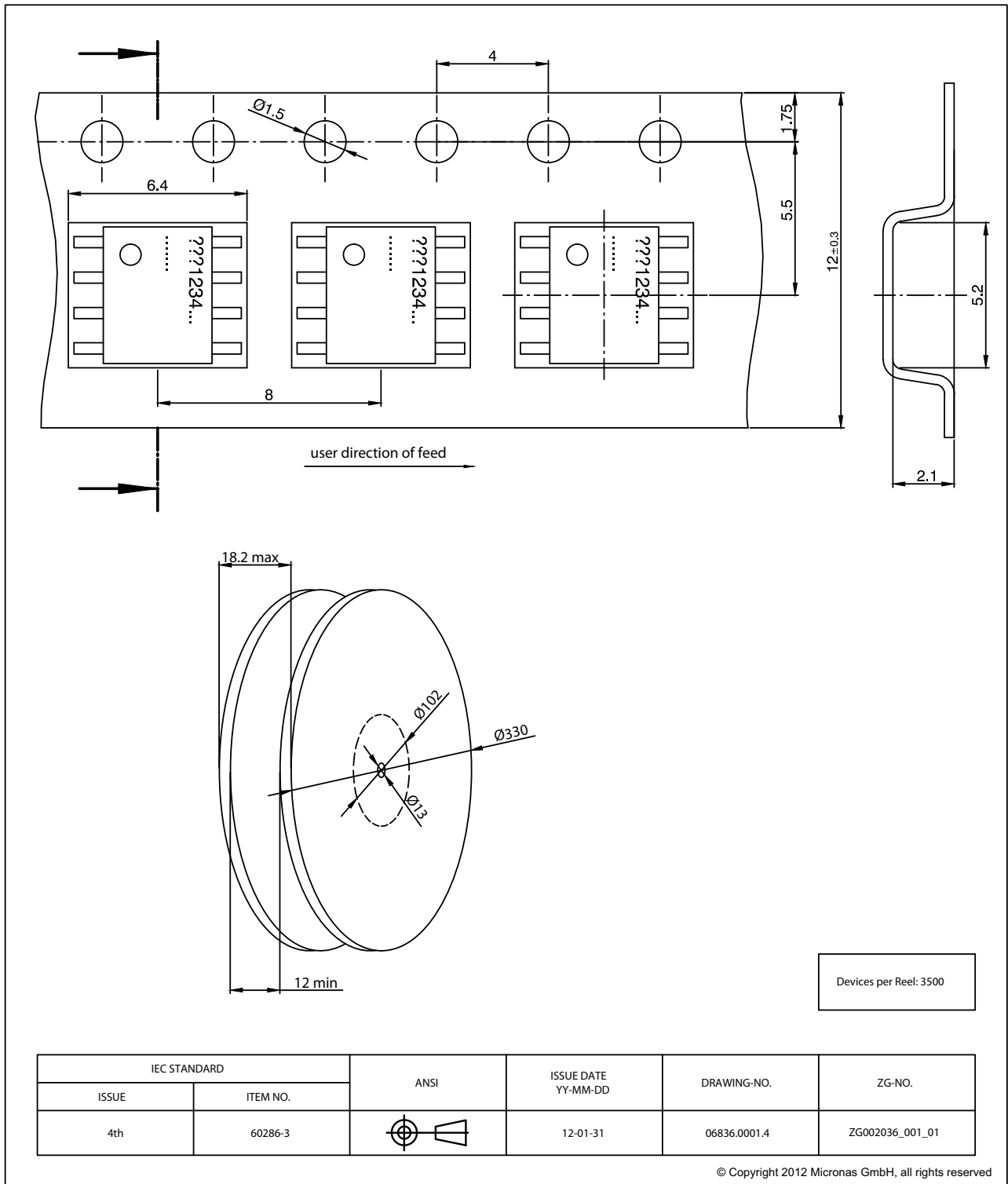


Fig. 5-2:
SOIC8-1: Dimensions Tape & Reel

5.2. Soldering, Welding, Assembly

Information related to solderability, welding, assembly, and second-level packaging is included in the document “Guidelines for the Assembly of Micronas Packages”.

It is available on the TDK-Micronas website (<https://www.micronas.com/en/service-center/downloads>) or on the service portal (<http://service.micronas.com>).

5.3. Storage and Shelf Life

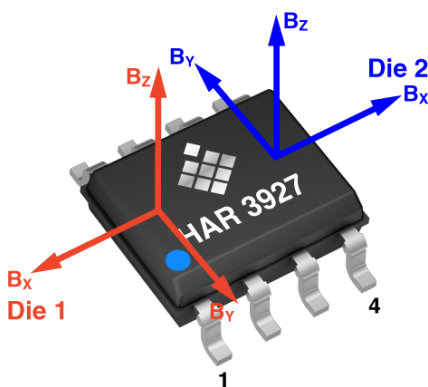
Information related to storage conditions of Micronas sensors is included in the document “Guidelines for the Assembly of Micronas Packages”. It gives recommendations linked to moisture sensitivity level and long-term storage. It is available on the TDK-Micronas website (<https://www.micronas.com/en/service-center/downloads>) or on the service portal (<http://service.micronas.com>).

5.4. Size of Sensitive Area

- Hall-plate area = $125\ \mu\text{m} \times 125\ \mu\text{m}$ (active area of the complete pixel cell).

See Fig. 5–1 on page 34 for more information on the Hall-plate position.

5.5. Definition of Magnetic-Field Vectors



Note Die 2 is 180° rotated in relation to die 1. Therefore the measurement values of X and Y components have opposite signs compared to die 1.

5.6. Pin Connections and Short Description

Table 5–1: Pin connection SOIC8

Pin No.	Pin Name	Type	Short Description
Die 1			
1	VSUP1	SUPPLY	Supply Voltage 1
2	GND1	GND	Ground 1
3	TEST1	I/O	Test 1
4	OUT1	I/O	Output and Programming 1
Die 2			
5	VSUP2	SUPPLY	Supply Voltage 2
6	GND2	GND	Ground 2
7	TEST2	I/O	Test 2
8	OUT2	I/O	Output and Programming 2

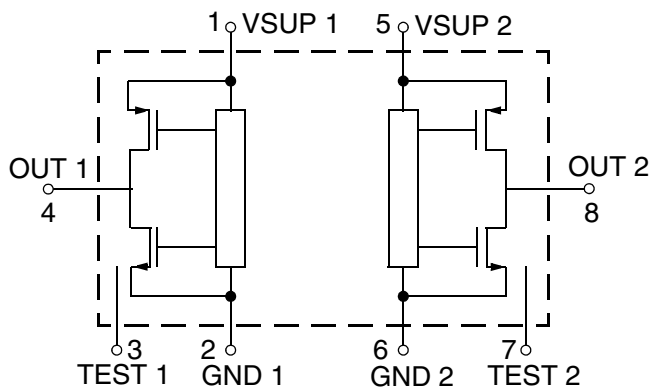


Fig. 5–3: Pin configuration

Note Pin TEST1 must be connected to pin GND1 and pin TEST2 must be connected to pin GND2.

5.7. Absolute Maximum Ratings

Stresses beyond those listed in the “Absolute Maximum Ratings” may cause permanent damage to the device. This is a stress rating only. Functional operation of the device at these conditions is not implied. Exposure to absolute maximum rating conditions for extended periods will affect device reliability.

The device contains circuitry to protect the inputs and outputs against damage due to high static voltages or electric fields; however, it is advised that normal precautions must be taken to avoid application of any voltage higher than absolute maximum-rated voltages to this high-impedance circuit.

All voltages listed are referenced to ground (GNDx).

Symbol	Parameter	Pin Name	Min.	Max.	Unit	Condition
V _{SUP}	Supply Voltage	VSUPx	-8.5	16	V	t = 96 h
			-18	18	V	t = 1 h
V _{OUT}	Output Voltage	OUTx	-6	16	V	t = 96 h
			-6	18	V	t = 1 h
V _{OUT} -V _{SUP}	Excess of Output Voltage over Supply Voltage	OUTx, VSUPx	-	2	V	t = 96 h
			-	7	V	t = 1 h
I _{OUT}	Output Short Current	OUTx	-30	30	mA	¹⁾ t = 96 h; output short to GND or V _{SUP}
B _{max}	Magnetic-Field Amplitude	-	-1	1	T	
T _J	Junction Temperature under Bias	-	-50	190	°C	t = 96 h
T _A	Ambient Temperature	-	-40	160	°C	²⁾
T _{storage}	Transportation/Short-Term Storage Temperature	-	-55	150	°C	Device only without packing material
V _{ESD}	ESD Protection	VSUPx, GNDx, OUTx, TESTx	-2	2	kV	³⁾ For all pin combinations (including die 1 to die 2)
		VSUP1, GND1, OUT1	-4	4	kV	³⁾ Die 1 only
		VSUP2, GND2, OUT2	-4	4	kV	³⁾ Die 2 only

No cumulative stress for all parameter.

¹⁾ Maximum resulting current with applied conditions

²⁾ For 96 h, not additive. Consider current consumption, mounting condition (e.g. overmold, potting) and mounting situation for T_A in relation to T_J. Please contact TDK-Micronas for other temperature requirements

³⁾ AEC-Q100-002-Rev H(100 pF and 1.5 kΩ)

5.8. Recommended Operating Conditions

Functional operation of the device beyond those indicated in the “Recommended Operating Conditions/Characteristics” is not implied and may result in unpredictable behavior, reduced reliability and lifetime of the device.

All voltages listed are referenced to ground (GNDx).

Symbol	Parameter	Pin Name	Min.	Typ.	Max.	Unit	Condition
V _{SUP}	Supply Voltage	VSUPx	4.5	5.0	5.5	V	
I _{OUT}	Output Current	OUTx	-1.9	-	1.9	mA	
R _L	Load Resistor	OUTx	2.7	10	-	kΩ	Pull-Up or Pull-Down
C _L	Load Capacitance	OUTx	-	100	600	nF	Analog output BiPhase Bit time = 1 kHz
			-	4.7	15	nF	SENT output. 3 μs tick time
N _{PRG}	Number of Memory Programming Cycles	-	-	-	100	cycles	0°C < T _{amb} < 55°C
B _{AMP}	Recommended Magnetic-Field Amplitude	-	±20	-	±130	mT	
T _J	Junction Temperature ¹⁾	-	-40	-	170	°C	for 1000 h
T _A	Ambient Temperature ²⁾	-	-40	-	150	°C	
¹⁾ Depends on the temperature profile of the application. Please contact TDK-Micronas for life-time calculations. ²⁾ Consider current consumption, mounting condition (e.g. overmold, potting) and mounting situation for T _A and in relation to T _J							

Note It is possible to operate the sensor with magnetic fields down to ±5 mT. For magnetic fields below ±20 mT the sensor performance will be reduced.

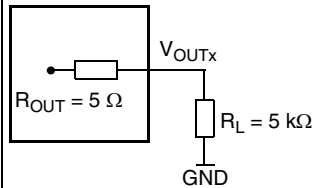
5.9. Characteristics

At $T_A = -40^\circ\text{C}$ to 150°C , $V_{\text{SUPx}} = 4.5\text{ V}$ to 5.5 V , $\text{GNDx} = 0\text{ V}$, after programming and locking of the sensor, at Recommended Operation Conditions if not otherwise specified in the column "Conditions".

Typical Characteristics for $T_A = 25^\circ\text{C}$ and $V_{\text{SUPx}} = 5\text{ V}$.

Symbol	Parameter	Pin Name	Limit Values			Unit	Conditions
			Min.	Typ.	Max.		
I_{SUP}	Supply Current	VSUPx	–	–	12.5	mA	²⁾ fusa_en bit = 0 Current consumption of each die.
			–	–	14	mA	²⁾ fusa_en bit = 1 Current consumption of each die.
f_{osc}	Internal Oscillator Frequency		–	32	–	MHz	
f_{sample}	Sampling Frequency		–	1.953	–	kSps	¹⁾ Configurable
			–	3.906	–		
			–	7.812	–		
OUT_{Res}	Output Resolution	OUTx	–	12	–	bit	¹⁾
BW	Small Signal Bandwidth (–3 dB)	OUTx	–	2	–	kHz	¹⁾ LP-Filter: OFF, bandwidth of each channel, fdecsel bit = 10 ($f_{\text{sample}} = 8\text{ kSps}$)
Overvoltage and Undervoltage Detection							
$V_{\text{SUP,UVdown}}$	Undervoltage Detection Level (down)	VSUPx	3.6	3.8	4.0	V	uv_level bit = 00
			3.8	4.1	4.4		²⁾ uv_level bit = 01
			3.95	4.25	4.55		²⁾ uv_level bit = 10
$V_{\text{SUP,UVup}}$	Undervoltage Detection Level (up)	VSUPx	3.85	4.05	4.25	V	uv_level bit = 00
			4.05	4.35	4.65		²⁾ uv_level bit = 01
			4.15	4.45	4.75		²⁾ uv_level bit = 10
$V_{\text{SUP,OVdown}}$	Overvoltage Detection Level (down)	VSUPx	8.5	8.9	9.3	V	ov_level bit = 00
			5.15	5.45	5.75		²⁾ ov_level bit = 01
$V_{\text{SUP,OVup}}$	Overvoltage Detection Level (up)	VSUPx	8.9	9.3	9.7	V	ov_level bit = 00
			5.4	5.7	6.0		²⁾ ov_level bit = 01
¹⁾ Guaranteed by Design ²⁾ Characterized on small sample size, not tested.							

Symbol	Parameter	Pin Name	Limit Values			Unit	Conditions
			Min.	Typ.	Max.		
Open-Circuit Detection							
$V_{OUT,VSUP-Break}$	Output Voltage in case of Supply wire break	OUTx	0	–	0.1	V	$V_{SUP} = 5\text{ V}$ $10\text{ k}\Omega \leq R_L$
			0	–	0.2	V	$V_{SUP} = 5\text{ V}$ $5\text{ k}\Omega \leq R_L < 10\text{ k}\Omega$
			0	–	0.35	V	$V_{SUP} = 5\text{ V}$ $3\text{ k}\Omega \leq R_L < 5\text{ k}\Omega$
$V_{OUT,GND-Break}$	Output Voltage in case of GND wire break	OUTx	4.9	–	5.0	V	$V_{SUP} = 5\text{ V}$ $10\text{ k}\Omega \leq R_L$
			4.8	–	5.0	V	$V_{SUP} = 5\text{ V}$ $5\text{ k}\Omega \leq R_L < 10\text{ k}\Omega$
			4.65	–	5.0	V	$V_{SUP} = 5\text{ V}$ $3\text{ k}\Omega \leq R_L < 5\text{ k}\Omega$
Power-On Operation							
POR_{up}	Power on reset voltage (up)	VSUPx	3.6	3.8	4.0	V	
POR_{down}	Power on reset voltage (down)	VSUPx	3.2	3.4	3.6	V	
Analog Output Parameter							
$t_{startup}$	Start-up Time	OUTx					For definition see Fig. 5–4
			–	–	3.0	ms	²⁾ fusa_en bit = 0 fdecsel bit = 10
			–	–	6.5	ms	²⁾ fusa_en bit = 1 fdecsel bit = 10
$V_{SUP,DIAG}$	Supply Voltage required to get defined Output Voltage Level	VSUPx	–	–	2.49	V	
$V_{Error,Low}$	Output Voltage Range of Lower Error Band	OUTx	0	–	3	% V_{SUP}	$V_{SUP} > V_{SUP,DIAG}$ $10\text{ k}\Omega \leq R_L$
			0	–	4	% V_{SUP}	$V_{SUP} > V_{SUP,DIAG}$ $5\text{ k}\Omega \leq R_L < 10\text{ k}\Omega$
			0	–	7	% V_{SUP}	$V_{SUP} > V_{SUP,DIAG}$ $R_L = 3\text{ k}\Omega$
$V_{Error,High}$	Output Voltage Range of Upper Error Band	OUTx	97	–	100	% V_{SUP}	$V_{SUP} > V_{SUP,DIAG}$ $10\text{ k}\Omega \leq R_L$
			96	–	100	% V_{SUP}	$V_{SUP} > V_{SUP,DIAG}$ $5\text{ k}\Omega \leq R_L < 10\text{ k}\Omega$
			93	–	100	% V_{SUP}	$V_{SUP} > V_{SUP,DIAG}$ $R_L = 3\text{ k}\Omega$
$V_{Error,HighZ,Low}$	Output Voltage Range of Low Error Band if output is in High-Z mode	OUTx	0	–	7	% V_{SUP}	$R_L = 3\text{ k}\Omega$
$V_{Error,HighZ,High}$	Output Voltage Range of High Error Band if output is in High-Z mode	OUTx	93	–	100	% V_{SUP}	$R_L = 3\text{ k}\Omega$
²⁾ Characterized on small sample size, not tested ⁸⁾ If $dV_{SUP}/dt < 1\text{ V/ms}$ and uv_level bit = 01 or 10 selected, the startup time is delayed by additional 1.2 ms.							

Symbol	Parameter	Pin Name	Limit Values			Unit	Conditions
			Min.	Typ.	Max.		
DNL	Differential Non-Linearity of D/A converter	OUTx	-0.9	-	0.9	LSB	
DAC _{INL}	Non-Linearity of Output Stage	OUTx	-0.1	-	0.1	%V _{SUP}	For definition see Fig. 5-5
E _R	Ratiometric Error of Output (Error in V _{OUT} /V _{SUP})	OUTx	-0.1	-	0.1	%V _{SUP}	
V _{OUT,DAC_ERR_RT}	Absolute D/A converter error at 25°C	OUTx	-0.18	-	0.18	%V _{SUP}	2)3) For definition see Fig. 5-5
ΔV _{OUT,DAC_ERR}	Absolute D/A converter error drift over Temperature related to 25°C	OUTx	-0.08	-	0.08	%V _{SUP}	2)3)
V _{OUTH}	Output High Voltage	OUTx	93	-	-	%V _{SUP}	4) 3 kΩ ≤ R _L
V _{OUTL}	Output Low Voltage	OUTx	-	-	7	%V _{SUP}	4) 3 kΩ ≤ R _L
t _{r(O)}	Rise Time of Output	OUTx	-	0.100	0.125	ms	2) LP-Filter: OFF For definition see Fig. 5-6
t _{d(O)}	Delay Time of Output	OUTx	-	-	3.5/ f _{sample}		1) For f _{sample} , please refer to page 40. For definition see Fig. 5-6
OUT _{Noise}	Output Noise RMS	OUTx	-	1.7	3.0	mV	2)5) Output range 10%V _{SUP} to 90%V _{SUP}
R _{OUT,analog}	Output Resistance over Recommended Operating Range in Analog Output Mode	OUTx	-	0.15	5	Ω	V _{OUTLmax} ≤ V _{OUT} ≤ V _{OUTHmin} IC 

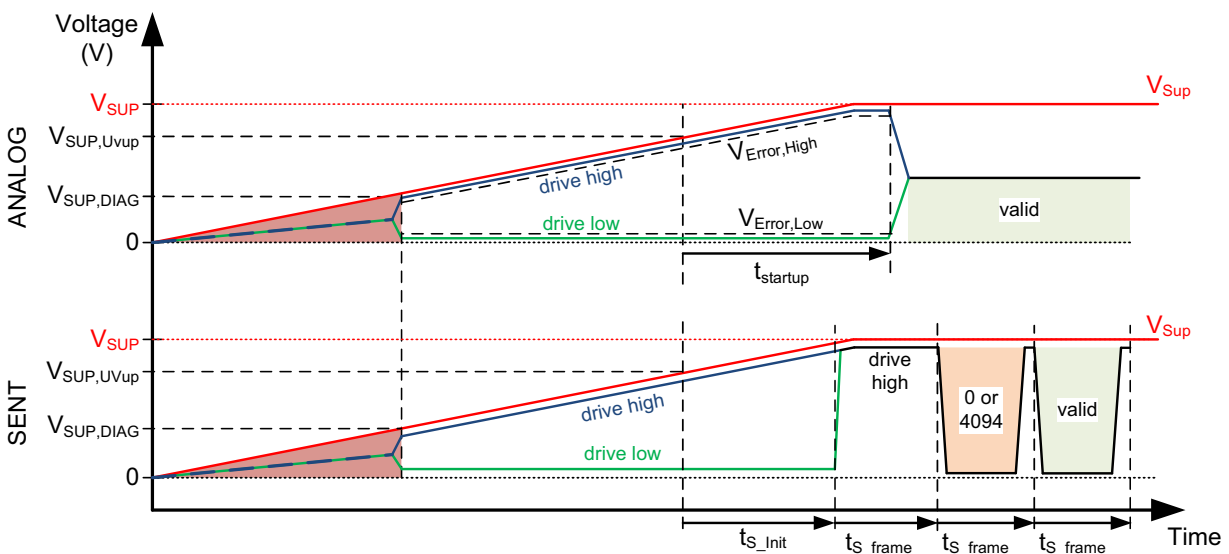
1) Guaranteed by Design
 2) Characterized on small sample size, not tested
 3) The accuracy of the output voltage at clamp low / clamp high voltage over temperature range can be calculated with the following formula: $\Delta V_{OUTCL,CH} = (V_{OUT,DAC_ERR_RT}^2 + \Delta V_{OUT,DAC_ERR}^2)^{(1/2)}$.
 4) Signal band area with full accuracy is located between V_{OUTL} and V_{OUTH}. The sensors accuracy is reduced below V_{OUTL} and above V_{OUTH}.
 5) 4 kHz digital low-pass filter; ±20 mT min. magnetic-field amplitude; f_{BW} = 22.5 kHz
 6) Measured from/to 1.1 V to/from 3.8 V with C_L = 4.7 nF, V_{SUP} = 5 V

Symbol	Parameter	Pin Name	Limit Values			Unit	Conditions
			Min.	Typ.	Max.		
SENT Output Parameter							
V_{OL}	Output Low Voltage	OUTx	–	–	0.5	V	Recommended SENT load and 3 μ s tick time
V_{OH}	Output High Voltage	OUTx	4.1	–	–	V	
t_{rise_sym}	Rise Time of Output symmetrical to Fall Time	OUTx	–	1.0	–	μ s	²⁾⁶⁾ sent_slew_rate bit = 1000
			–	1.2	–		²⁾⁶⁾ sent_slew_rate bit = 1010
			–	1.6	–		²⁾⁶⁾ sent_slew_rate bit = 1100
			–	2.7	–		²⁾⁶⁾ sent_slew_rate bit = 1110
t_{rise_asym}	Rise Time of Output asymmetrical to Fall Time (recommended for SENT)	OUTx	–	1.5	–	μ s	²⁾⁶⁾ sent_slew_rate bit = 1001
			–	2.7	–		²⁾⁶⁾ sent_slew_rate bit = 1011
			–	5.2	–		²⁾⁶⁾ sent_slew_rate bit = 1101
			–	10.3	–		²⁾⁶⁾ sent_slew_rate bit = 1111
t_{fall}	Fall Time of Output	OUTx	–	1.0	–	μ s	²⁾⁶⁾ sent_slew_rate bit = 100x
			–	1.2	–		²⁾⁶⁾ sent_slew_rate bit = 101x
			–	1.6	–		²⁾⁶⁾ sent_slew_rate bit = 110x
			–	2.7	–		²⁾⁶⁾ sent_slew_rate bit = 111x
t_{tick}	SENT Tick Time	OUTx	1.41	1.50	1.59	μ s	
			1.88	2.00	2.12	μ s	
			2.35	2.50	2.65	μ s	
			2.58	2.75	2.92	μ s	
			2.82	3.00	3.18	μ s	
			5.64	6.00	6.36	μ s	
			11.29	12.00	12.72	μ s	
t_{S_init}	SENT Start-up Time	OUTx					Initial start-up time until output is ready. For definition see Fig. 5–4.
			–	–	1.5	ms	²⁾⁷⁾ fusa_en bit = 0
			–	–	3.1	ms	²⁾⁷⁾ fusa_en bit = 1
t_{S_high}	SENT drive high	OUTx	–	–	1	ms	For definition see Fig. 5–4
$t_{latency}$	SENT average Latency	OUTx	–	0.75	–	ms	¹⁾ fdecsel bit = 10, t_{S_frame} = 0.5 ms, LP-Filter: OFF, sent_repetition_rate = 2 kHz
t_{wcrep}	SENT Step Response Time (worst case)	OUTx	–	–	1	ms	
$R_{OUT,SENT}$	Output Resistance over Recommended Operating Range in SENT Output Mode	OUTx	–	52	70	Ω	$V_{OUTLmax} \leq V_{OUT} \leq V_{OUTHmin}$
¹⁾ Guaranteed by Design ²⁾ Characterized on small sample size, not tested ⁶⁾ Measured from/to 1.1 V to/from 3.8 V with $C_L = 4.7$ nF, $V_{SUP} = 5$ V ⁷⁾ If $dV_{SUP}/dt < 1$ V/ms and uv_level bit = 01 or 10 are selected, the start-up time can be delayed by additional 1.2 ms.							

Symbol	Parameter	Pin Name	Limit Values			Unit	Conditions
			Min.	Typ.	Max.		
SOIC8 Package							
							(Self-heating calculation see Section 6.1. on page 49)
R _{thja}	Thermal Resistance Junction to Air	–	–	–	116	K/W	Determined with a 1s1p board
		–	–	–	111	K/W	Determined with a 2s2p board
R _{thjc}	Thermal Resistance Junction to Case	–	–	–	30	K/W	Determined with a 1s1p board
		–	–	–	30	K/W	Determined with a 2s2p board
R _{ISOL}	Isolation Resistance	GND1, GND2	4	–	–	MΩ	⁸⁾ Between two dies (Between GND1 and GND2 pin)
⁸⁾ Galvanic isolation of GNDs not tested.							

5.10. Notes for Electrical Characteristics

5.10.1. Power-On Operation



SENT Frame Time depends on customer configuration:
 SETUP_OUTPUT[7] = 0: 1/sent_repetition_rate (1/2.66kHz – 0.5 kHz) or tick length
 SETUP_OUTPUT[7] = 1: Depends on sent_tick_time and frame format (different for valid data and 0/4094)

Fig. 5–4: Start-up behavior of HAR 3927

5.10.2. Definition of Parameter INL and absolute D/A Converter Error

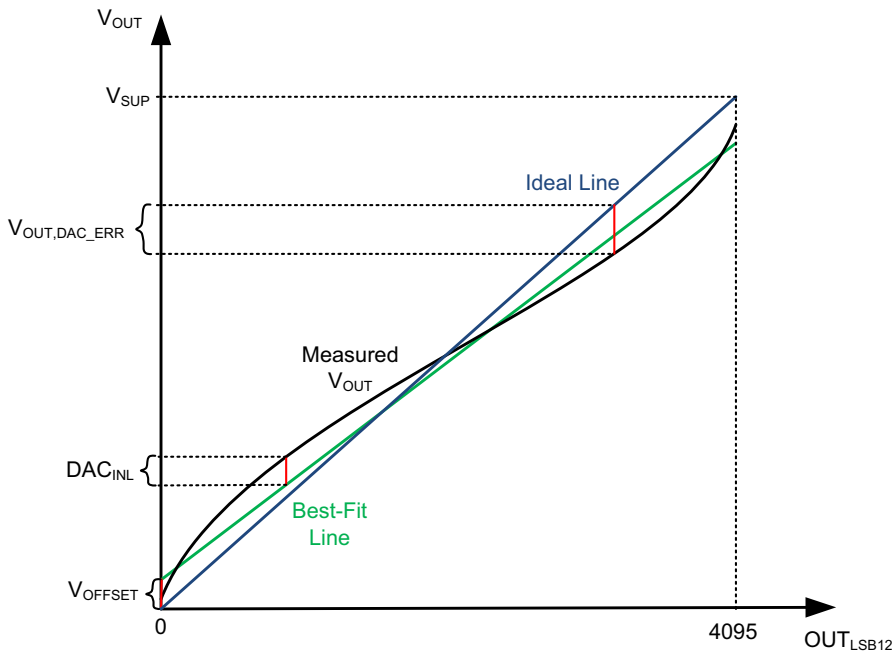


Fig. 5–5: Definition of INL and absolute D/A converter error

5.10.3. Definition of Rise and Delay Time of Output

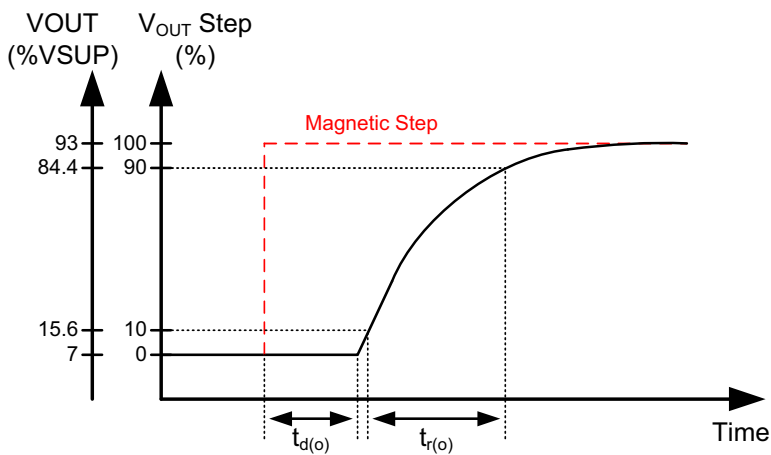


Fig. 5–6: Definition of rise and delay time of output

5.11. Magnetic Characteristics

At $T_A = -40\text{ °C}$ to 150 °C , $V_{SUPx} = 4.5\text{ V}$ to 5.5 V , $GNDx = 0\text{ V}$, after programming and locking of the sensor, at Recommended Operation Conditions if not otherwise specified in the column “Conditions”.

Typical characteristics for $T_A = 25\text{ °C}$ and $V_{SUPx} = 5\text{ V}$.

Symbol	Parameter	Pin Name	Min.	Typ.	Max.	Unit	Conditions
Θ_{RANGE}	Detectable angle range	OUTx	0	–	360	°	7)
Θ_{res}	Angle resolution	OUTx	–	–	0.09	°	7) (360°/4096)
$E_{\Theta_{linxy_RT}}$	XY angle linearity error (on output of CORDIC)	OUTx	–0.3	–	0.3	°	1)2)3)5) INL $T_A = 25\text{ °C}$; $V_{SUP} = 5\text{ V}$ $B_{AMP} = \pm 20\text{ mT}$
$E_{\Theta_{linxy_temp}}$	XY angle linearity error over temperature related to 25 °C (on output of CORDIC)	OUTx					$T_A = -40 \dots 150\text{ °C}$ $V_{SUP} = 5\text{ V}$
			–1.0	–	1.0	°	2)3)5)6) $B_{AMP} = \pm 30\text{ mT}$
			–1.5	–	1.5	°	1)2)3)5) $B_{AMP} = \pm 20\text{ mT}$
$E_{\Theta_{linxy_RT_life}}$	XY angle linearity error over life time (on output of CORDIC)	OUTx	–	± 1.3	–	°	2)3)4)5)6) $T_A = 25\text{ °C}$; $V_{SUP} = 5\text{ V}$; $B_{AMP} = \pm 20\text{ mT}$
$ASMm_{XY}$	Absolute Sensitivity Mismatch between X and Y Hall-plates	OUTx	–2	–	2	%	1)8) $T_A = 25\text{ °C}$
$ASMm_{X/Y_Z}$	Absolute Sensitivity Mismatch between X/Y and Z Hall-plates	OUTx	–4	–	4	%	1)8) $T_A = 25\text{ °C}$
$Sense_{XYZ}$	Sensitivity of X,Y and Z Hall-plate	OUTx	123	128	133	LSB/ mT	1) $T_A = 25\text{ °C}$
ΔSMm_{XY}	Thermal Sensitivity Mismatch Drift of calibrated signals between X and Y channel	OUTx	–2	–	2	%	1)8) Related to $T_A = 25\text{ °C}$
$\Delta SMm_{X/Y_Z}$	Thermal Sensitivity Mismatch Drift of calibrated signals between X/Y and Z channel	OUTx	–2.5	–	2.5	%	1)8) Related to $T_A = 25\text{ °C}$
$Offset_{XY}$	Offset of X and Y Hall-plates	OUTx	–20	–	20	LSB ₁₅	1)8) $T_A = 25\text{ °C}$
$Offset_z$	Offset of Z Hall-plate	OUTx	–12	–	12	LSB ₁₅	1)8) $T_A = 25\text{ °C}$

1) Characterized on small sample size, 3-sigma values, not tested for each device

2) Pure sine/cosine w/o distortion (ideal diametral magnet). Zero angle calibration in the system. The supply voltage V_{SUP} is regarded as constant over temperature.

3) After proper setpoint linearization done at 25 °C

4) After 1008 h HTOL

5) Calculated/simulated angular error based on characterization and not on single error summation

6) Based on Simulation Model, 3-sigma values (not tested)

7) Guaranteed by Design

8) Can be compensated in customer application

Symbol	Parameter	Pin Name	Min.	Typ.	Max.	Unit	Conditions
ΔOffset_{XY}	Offset Drift of X and Y Hall-plates	OUTx	-45	-	45	LSB ₁₅	1)8) Related to $T_A = 25\text{ °C}$
ΔOffset_Z	Offset Drift of Z Hall-plate	OUTx	-45	-	45	LSB ₁₅	1)8) Related to $T_A = 25\text{ °C}$
$E_{\ominus\text{PhaseXY}}$	Phase Error between X and Y Hall-plates	OUTx	-	± 2	-	°	1)8)
$E_{\ominus\text{PhaseX/Y}_Z}$	Phase Error between X/Y and Z Hall-plates	OUTx	-	± 2	-	°	1)8)
$\Delta\text{SMm}_{XYZ_life}$	Relative Sensitivity Mismatch Drift between X, Y and Z Hall-plates over life time	OUTx	-	3	-	%	1)4)
$\Delta\text{Offset}_{XY_life}$	Offset Drift of calibrated signals of X or Y channel over life time	OUTx	-	40	-	LSB ₁₅	1)4)
$\Delta\text{Offset}_{Z_life}$	Offset Drift of calibrated signals of Z channel over life time	OUTx	-	5	-	LSB ₁₅	1)4)
<p>1) Characterized on small sample size, 3-sigma values, not tested for each device 4) After 1008 h HTOL 8) Can be compensated in customer application</p>							

5.12. Temperature Sensor

At $T_A = -40\text{ °C}$ to 150 °C , $V_{SUPx} = 4.5\text{ V}$ to 5.5 V , $GNDx = 0\text{ V}$, after programming and locking of the sensor, at Recommended Operation Conditions if not otherwise specified in the column “Conditions”.

Typical characteristics for $T_A = 25\text{ °C}$ and $V_{SUPx} = 5\text{ V}$.

Symbol	Parameter	Pin Name	Min.	Typ.	Max.	Unit	Conditions
TEMP_ADJ _{Gain}	Gain of Temperature Sensor	OUTx	–	89.25	–	LSB ₁₅ /°C	¹⁾ for TEMP_ADJ register
TEMP_ADJ _{Offset}	Temperature Sensor Offset	OUTx	–	3720	–	LSB ₁₅	¹⁾ for TEMP_ADJ register
TEMP_SENT _{Gain}	Gain of Temperature Sensor for SENT Output	OUTx	–	8.1	–	LSB ₁₂ /°C	¹⁾ SENT Slow Channel
TEMP_SENT _{Offset}	Temperature Sensor Offset for SENT Output	OUTx	–	565.3	–	LSB ₁₂	¹⁾ SENT Slow Channel
ΔT_{Lin}	Temperature Sensor Linearity Error	OUTx	–2	–	2	°C	²⁾ Junction Temperature
ΔT_{Acc}	Temperature Sensor Accuracy	OUTx	–5	–	5	°C	²⁾ Junction Temperature
¹⁾ Not tested ²⁾ Characterized on small sample size, 3-sigma values, not tested for each device							

6. Application Notes

6.1. Ambient Temperature

Due to the internal power dissipation, the temperature on the silicon chip (junction temperature T_J) is higher than the temperature outside the package (ambient temperature T_A).

$$T_J = T_A + \Delta T$$

The maximum ambient temperature is a function of power dissipation, maximum allowable die temperature and junction to ambient thermal resistance (R_{thja}). With a typical supply voltage of 5.0 V the power dissipation P is 0.063 W per die. The junction to ambient thermal resistance R_{thja} is specified in Section 5.9. on page 40.

The difference between junction and ambient air temperature is expressed by the following equation (at static conditions and continuous operation):

$$\Delta T = P * R_{thjX}$$

The X represents junction to air, case or solder point.

For worst case calculation, use the max. parameters for I_{SUP} and R_{thjX} , and the max. value for V_{SUP} from the application.

Note The calculated self-heating of the device is only valid for the R_{th} test boards. Depending on the application setup the final results in an application environment might deviate from these values.

6.2. EMC and ESD

Please contact TDK-Micronas for detailed information on EMC and ESD.

6.3. Application Circuit for HAR 3927

Analog Output

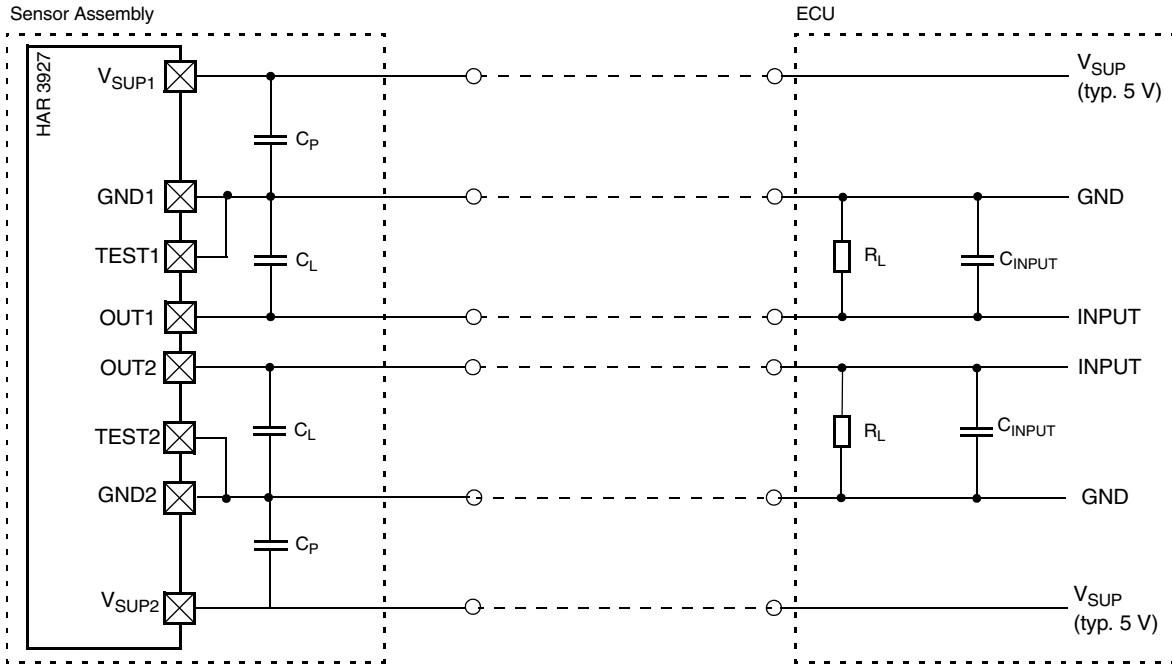


Fig. 6–1: Recommended application circuit for HAR 3927 in analog output mode (pull-down)

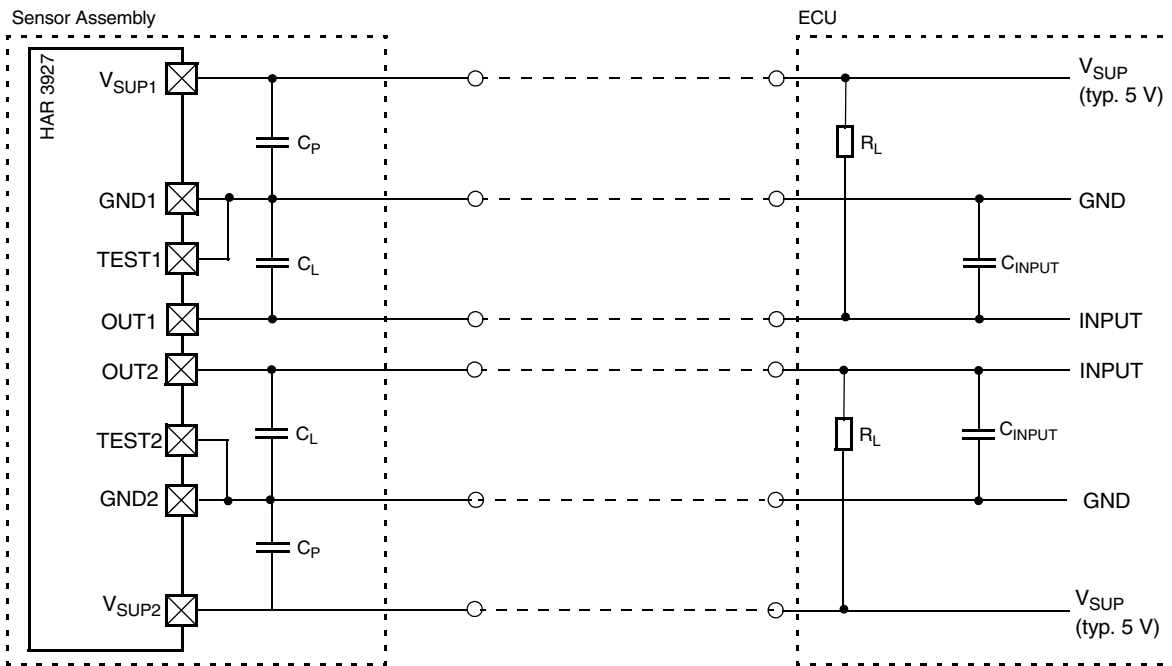


Fig. 6–2: Recommended application circuit for HAR 3927 in analog output mode (pull-up)

Table 6–1: Recommended components in analog output mode

Name	Recommended Value
C_P	100 nF (470 nF for CISPR Class 5)
$C_L + C_{INPUT}$	100 nF
R_L Pull-down	10 k Ω
R_L Pull-up	10 k Ω

SENT Output

In case of SAEJ2716 SENT output mode, it is recommended to add a filter structure at the output pin for having a SENT standard compliant output slew rate.

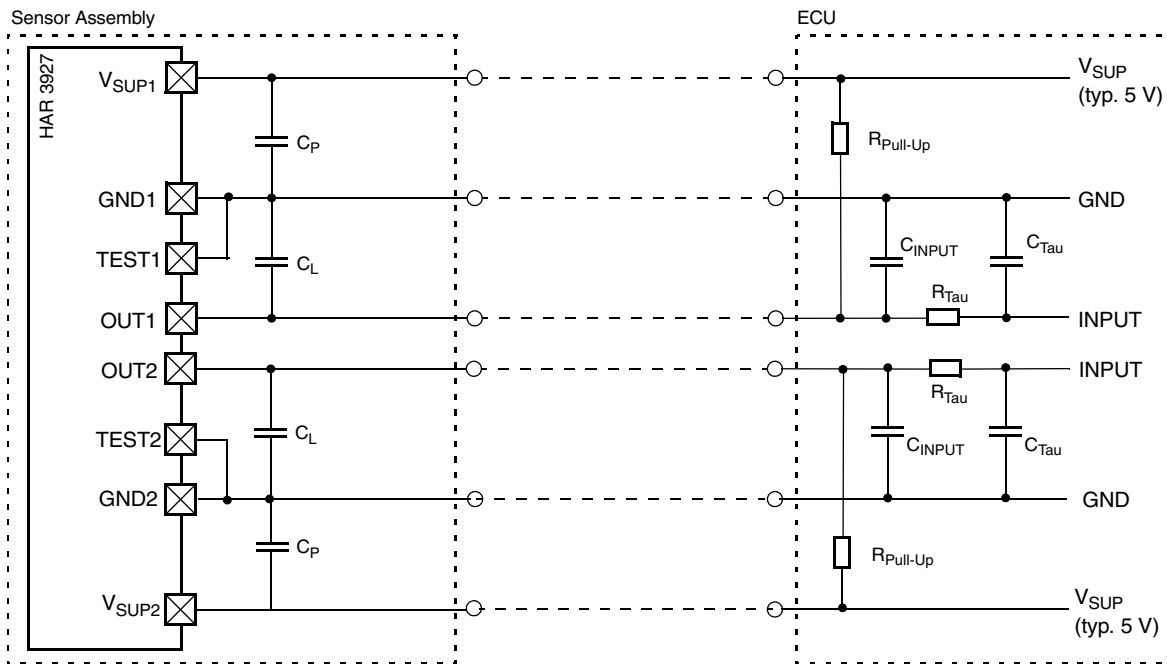


Fig. 6–3: Recommended application circuit for HAR 3927 in SENT mode

Table 6–2: Recommended components in SENT mode

Name	SENT Specification	Recommended Value
C_P	N/A	470 nF
C_{INPUT}	< 0.1 nF	68 pF
C_{Tau}	1.54 nF – 2.86 nF	2.2 nF
$R_{Pull-Up}$	10 k Ω – 55 k Ω	10 k Ω
R_{Tau}	448 Ω – 672 Ω	560 Ω
C_L	N/A	4.7 nF

6.4. Recommended Pad Size SOIC8 Package

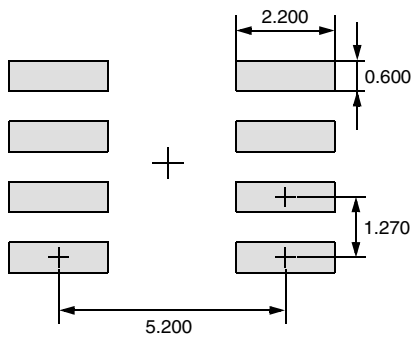


Fig. 6–4: Pad size recommendation for SOIC8 package (all dimensions in mm)

7. Programming of the Sensor

HAR 3927 features two different customer modes. In **Application Mode**, the sensors provide an analog output voltage or a digital output signal in accordance with the SENT standard. In **Programming Mode (Listen Mode)** it is possible to change the register settings of the sensor.

After power-up, the sensor is always operating in **Application Mode**. It is switched to **Programming Mode** by a BiPhase-M protocol via output voltage modulation. Therefore the programming device needs to provide a sync pulse at the output pin.

7.1. Programming Interface

In Programming Mode, HAR 3927 is addressed by modulating a serial telegram on the sensor’s output pin. The sensor answers with a modulation of the output voltage.

A logical “0” is coded as no level change within the bit time. A logical “1” is coded as a level change at typically 50% of the bit time. After each bit, a level change occurs (see Fig. 7–1).

The serial telegram is used to transmit the EEPROM content, error codes, and digital values of the angle information from and to the sensor.

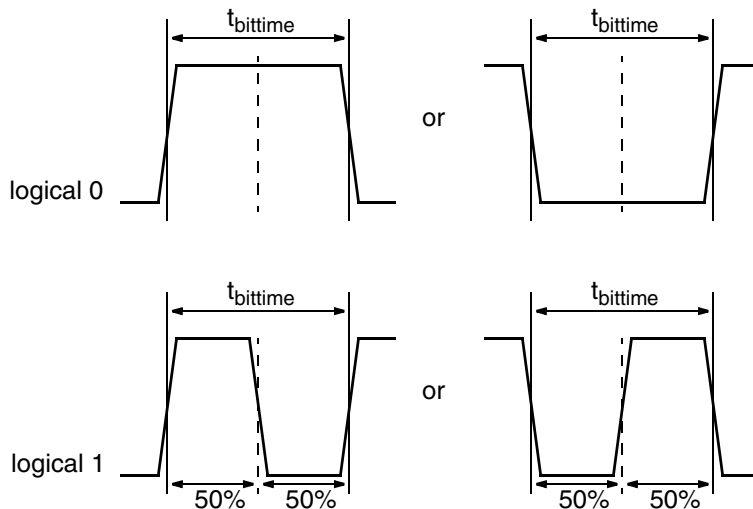


Fig. 7–1: Definition of logical 0 and 1 bit

Table 7–1: Telegram parameters (All voltages are referenced to GNDx.)

Symbol	Parameter	Pin Name	Limit Values			Unit	Conditions
			Min.	Typ.	Max.		
t_{H_bbit}	Host BiPhase bit time	OUTx	0.01	–	1.1	ms	
V_{H_OUTL}	Host OUT Pin Voltage for Low Level during Programming	OUTx	0	–	0.5	V	
V_{H_OUTH}	Host OUT Pin Voltage for High Level during Programming	OUTx	4.5	–	5.0	V	
SR	Host slew rate BiPhase protocol	OUTx	10	–	–	V/ μ s	¹⁾ For recommended application circuit.
$V_{SUPProgr}$	V_{SUP} Voltage for memory programming	VSUP	4.5	5.0	5.5	V	
¹⁾ Not tested							

7.2. Programming Environment and Tools

For the programming of HAR 3927 during product development, a programming tool including hardware and software is available on request. It is recommended to use the TDK-Micronas tool kit (TDK MSP V1.x and Lab View Programming Environment) in order to facilitate the product development. The details of programming sequences are content of the application notes “HAR 3927 User Manual” and “HAR 3927 Programming Guide”.

7.3. Programming Information

For reliability in service, it is mandatory to set the customer lock bit (SETUP_SUPERVISION[15]) to 1 after final adjustment and final EEPROM programming.

Note

- After the customer lock is activated (by writing and power-on-reset), it is not possible to program the sensor anymore.
- Because the lock bit is also included in the customer checksum, the checksum has to be calculated considering the lock bit.

To lock the sensor, the customer checksum has to be calculated and stored as described in application note “HAR 3927 User Manual”. Refer to this section and the following flow-chart for more details.

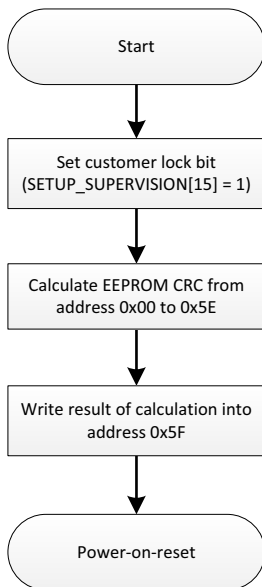


Fig. 7–2: Locking the Sensor

The successful setting of the customer lock bit shall be checked, e.g. by reading back the customer lock bit after programming and downloading it to the shadow RAM, but before a power-on-reset. The lock mechanism becomes only active after the next power-on-reset.

Electro-static discharges (ESD) may disturb the supply voltage during programming. Please take precautions against ESD.

A programming tool including hardware and software can be provided for product evaluation and application development. It is recommended to use the TDK-Micronas tool kit to simplify the product development phase.

The HAR 3927 allows to read the registers after locking, provided that valid commands with correct CRC are recognized by the sensor and the over-current detection is not disabled (see Table 3–9 in the application note “HAR 3927 User Manual”). The programming command does not have any effect on the memory of locked devices.

Note A description of the communication protocol and the programming of the sensor is available in a separate document (application note “HAR 3927 Programming Guide”).

8. Document History

1. Advance Information “HAR 3927 Robust Dual-Die Programmable 2D Position Sensor with Analog and SENT Output Interface”, May 13, 2020, DSH000222_001EN. First release of the advance information.
2. Data Sheet “HAR 3927 Robust Dual-Die Programmable 2D Position Sensor with Analog and SENT Output Interface”, June 20, 2022, DSH000215_001EN. First release of the data sheet. Describing ROM-ID release: 4301 (mass production release):

Major changes compared to previous Advance Information:

- Electrical and magnetic characteristics updated
- Parameter t_{UV} and t_{OV} removed as it is covered by overall FDTI