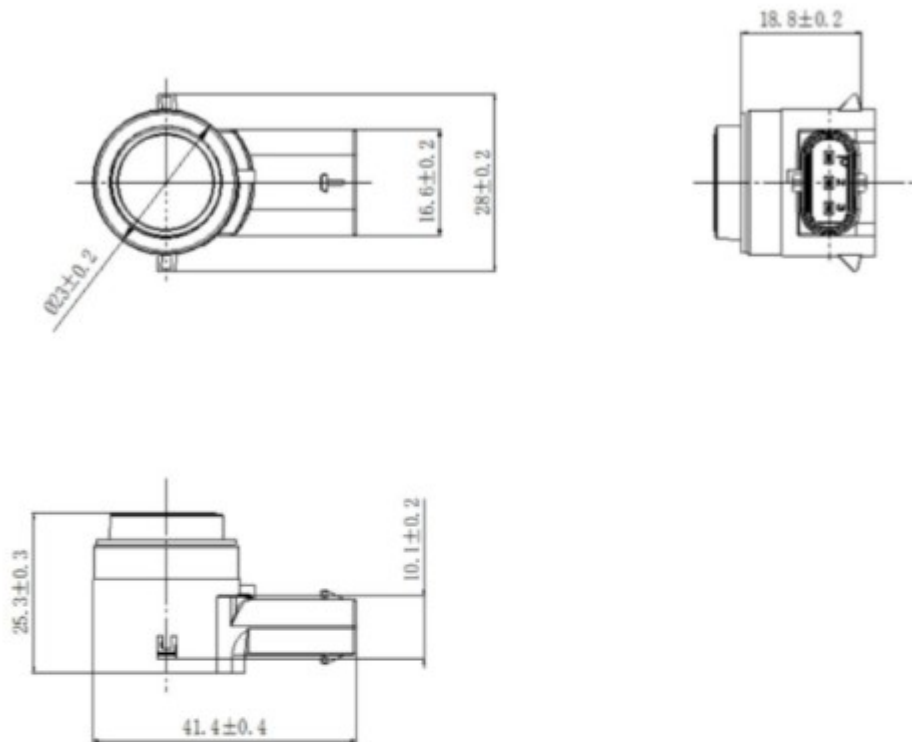


## Dimensions

---



## Specifications

---

Item	Specifications
Resonant frequency	$55.5 \pm 1.0$ kHz
Detection error	$\pm 3$ cm
Directivity(deg) X-axis	$120^\circ \pm 15^\circ$
Directivity(deg) Y-axis	$60^\circ \pm 10^\circ$
Capacitance	$1300 \pm 20\%$ pF
Communication method	DS13
Operating temperature	$-40 \sim +85^\circ\text{C}$