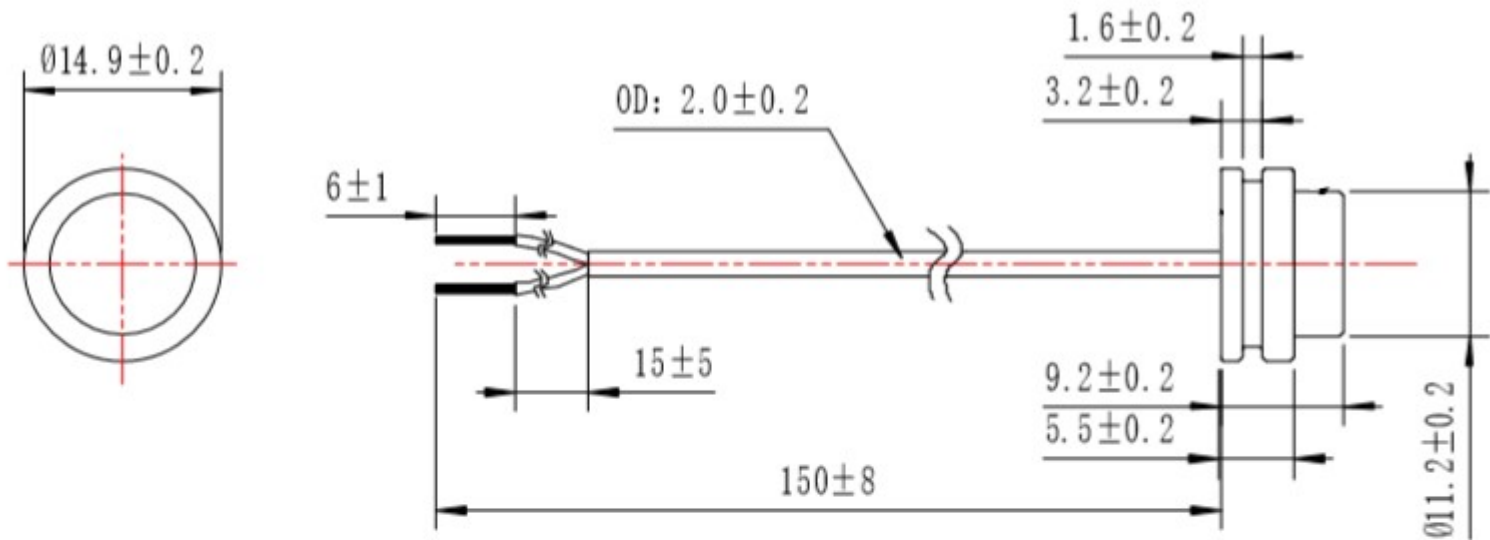


## Dimensions



## Specifications

Item	Specifications
Resonant frequency	$965 \pm 30$ KHz
Resonant impedance	$170 \pm 70 \Omega$
Free capacitance	$650 \pm 20\%$ pF
Receiving Signal	$350 \pm 100$ mV
Allowable max. input voltage:	5Vp-p
Max. working water pressure	2.5Mpa