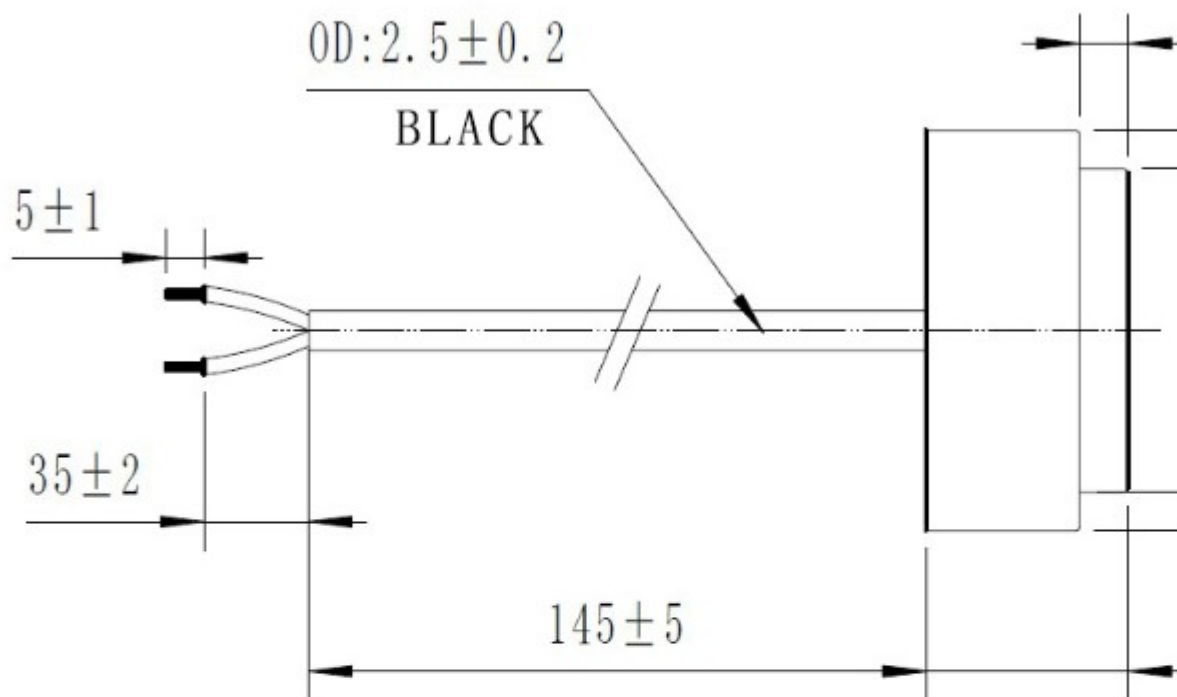


## Dimensions



## Specifications

Item	Specifications
Resonant frequency	$2100 \pm 30$ KHz
Resonant impedance	$270 \pm 100$ $\Omega$
Free capacitance	$600 \pm 20\%$ pF
Receiving Signal	350~550mV
Allowable max. input voltage:	5Vp-p
Max. working water pressure	2.5Mpa
Operating temperature	0~+90°C