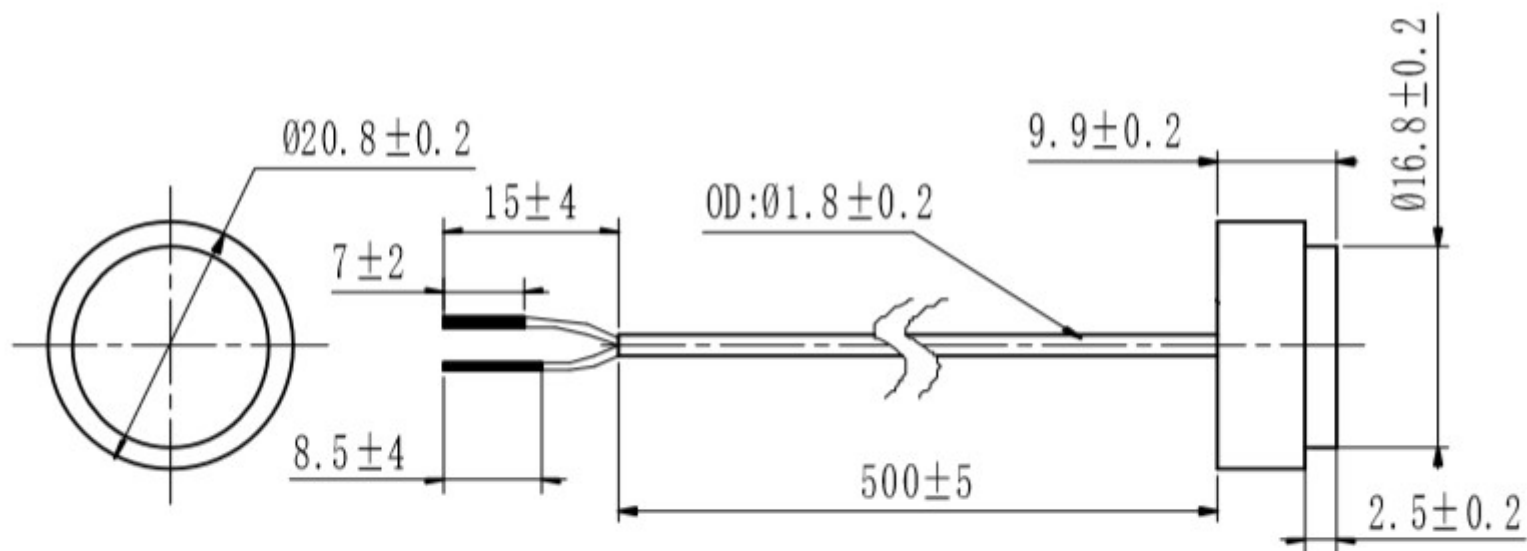


## Dimensions



## Specifications

Item	Specifications
Resonant frequency	$960 \pm 30$ KHz
Resonant impedance	20~100 $\Omega$
Free capacitance	$1150 \pm 20\%$ pF
Receiving Signal	$300 \pm 100$ mV
Allowable max. input voltage:	5Vp-p
Max. working water pressure	2.5Mpa
Operating temperature	0~+240°C