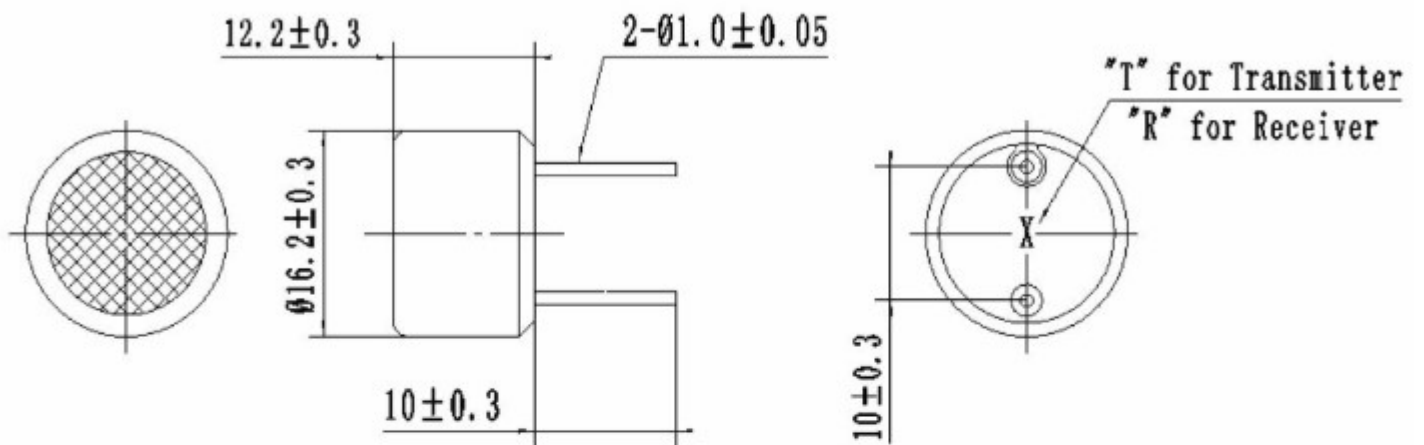


Dimensions



Specifications

Item	TO0002-000	TO0001-000
Center Frequency	$40 \pm 1.0 \text{KHz}$	
Sound Pressure Level	$\geq 115 \text{dB}$	-----
Sensitivity	-----	$\geq -60 \text{dB}$
Beam Angle	80°	
Capacitance	$2100 \pm 20\% \text{pF}$	
Max. Driving Voltage	20Vrms	
Working Temperature	$-20^\circ \text{C to } +70^\circ \text{C}$	