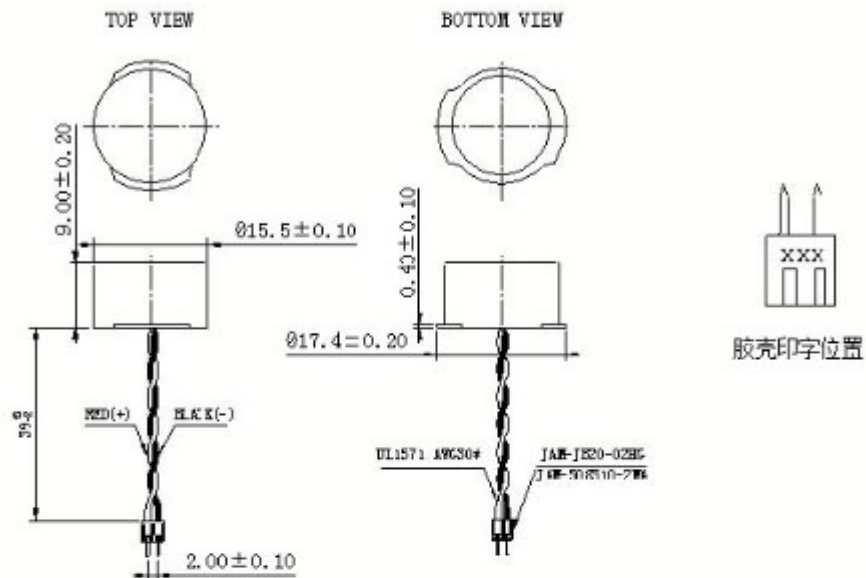


## Dimensions



## Specifications

Item	Specifications
Resonant frequency	$48 \pm 1.0$ kHz
Sensitivity	550~850 $\mu$ S
Decay time	1.2~1.8 mS at $25 \pm 3^\circ\text{C}$ $\leq 2.2$ mS at $-40$ to $85^\circ\text{C}$
Directivity(deg) X-axis	$80^\circ$
Directivity(deg) Y-axis	$80^\circ$
Capacitance	$1400 \pm 20\%$ pF
Max.Input Volt	160Vp-p
Operating temperature	$-40^\circ\text{C} \sim +85^\circ\text{C}$
Mean time to failure	50000H