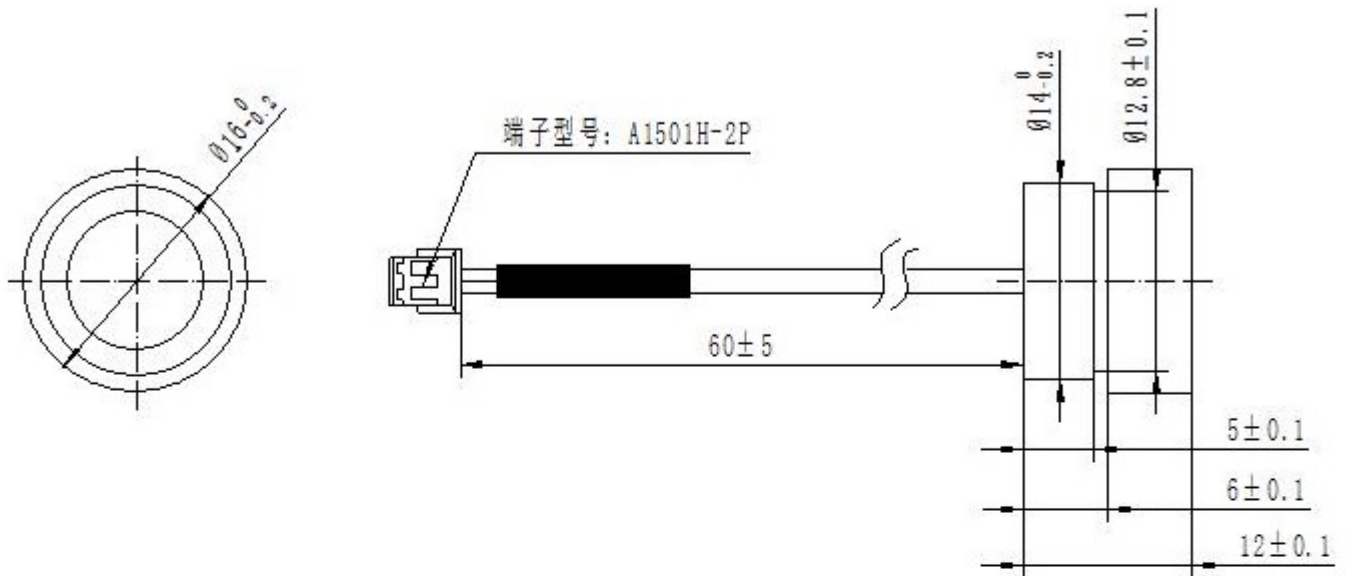


Dimensions



Specifications

Item	Specifications
Drive frequency	300kHz
Sensitivity	$\geq 4Vp-p$
Directivity	12° (typical)
Capacitance	1.3nF
Max. input voltage	50Vp-p (5 bursts; more burst number less voltage) 12Vp-p (Continuous square wave)