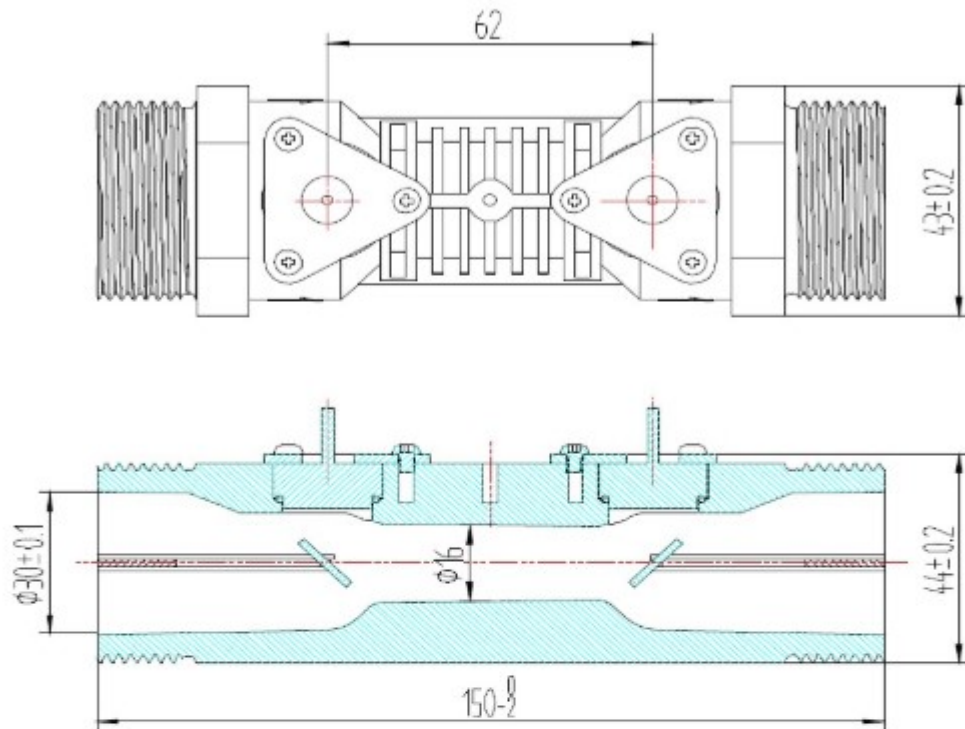


Dimensions



Specifications

Item	Specifications
Resonant frequency	1090 \pm 25 KHz
Resonant impedance	25~75 Ω
Free capacitance	1130 \pm 20%pF
Receiving Signal	\geq 350mV
Max. Allowable Working Pressure	2.5Mpa
Operating Temperature	+0.1 $^{\circ}$ C ~ +90 $^{\circ}$ C
Installation Length	150mm
Connecting Thread	G1 1/4
Diameter	DN25