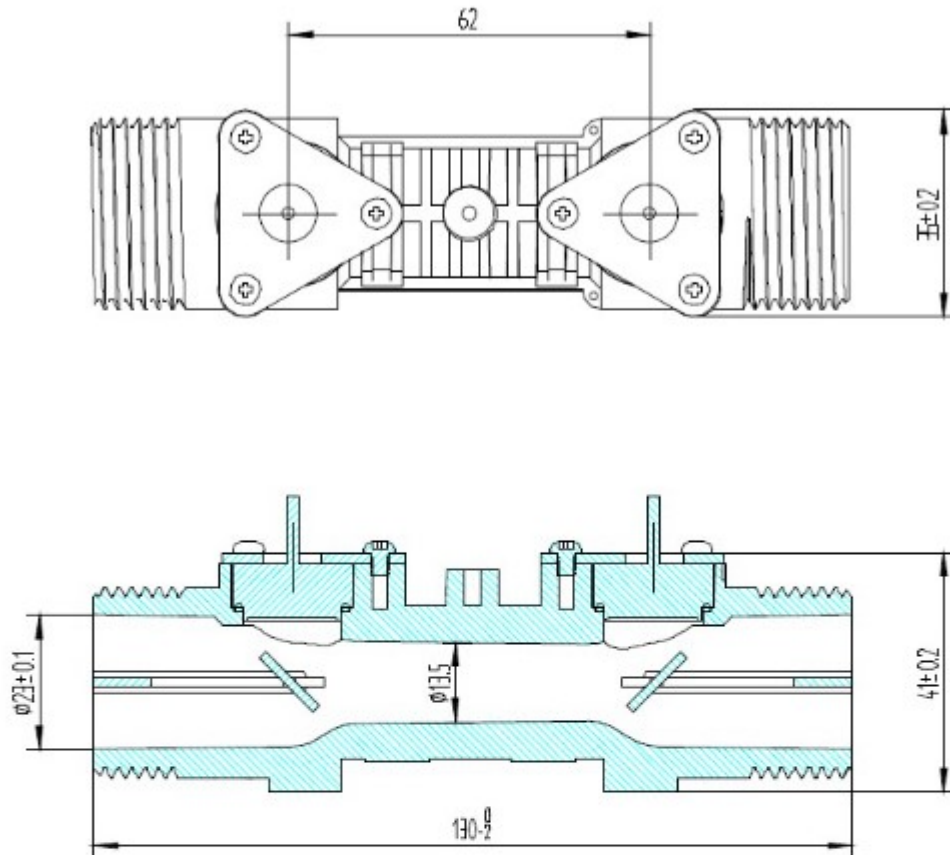


Dimensions



Specifications

Item	Specifications
Resonant frequency	1090 ± 25 KHz
Resonant impedance	25~75 Ω
Free capacitance	$1130 \pm 20\%$ pF
Receiving Signal	≥ 350 mV
Max. Allowable Working Pressure	2.5 Mpa
Operating Temperature	+0.1°C ~ +90°C
Installation Length	130 mm
Connecting Thread	G1
Diameter	DN20