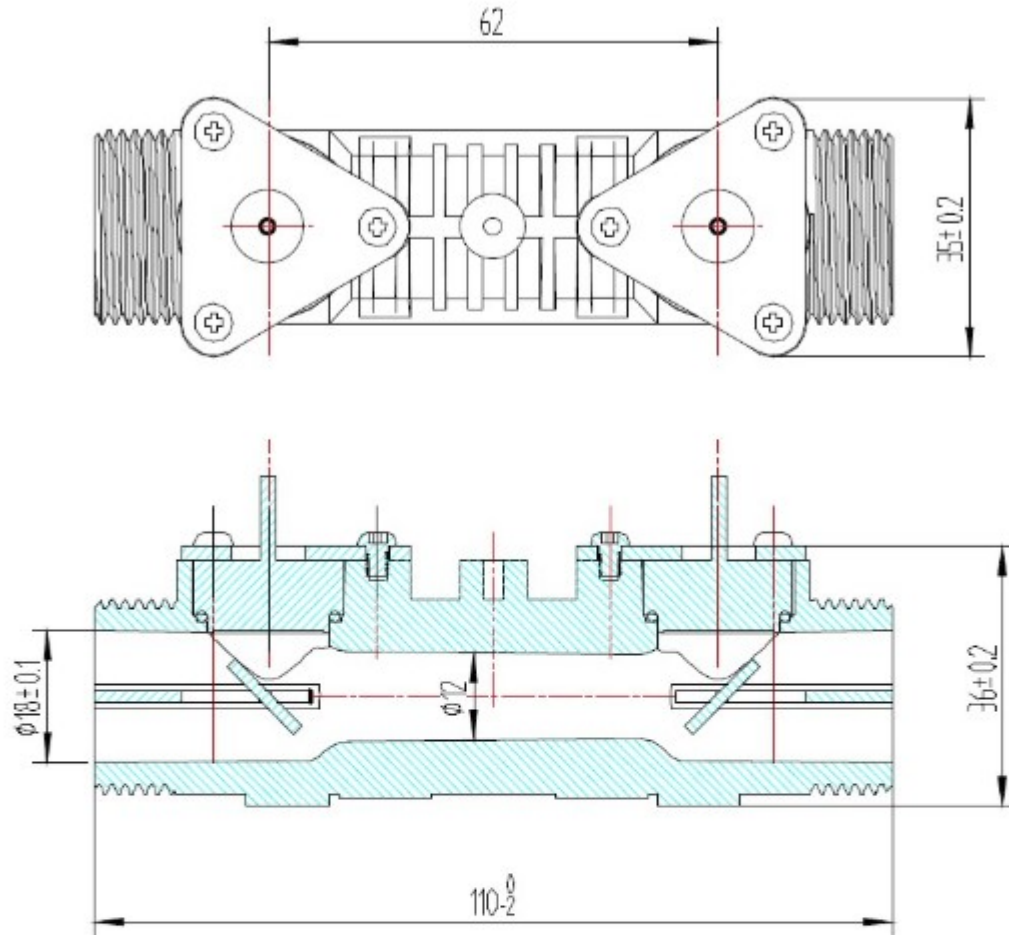


Dimensions



Specifications

Item	Specifications
Resonant frequency	1090±25 KHz
Resonant impedance	25~75 Ω
Free capacitance	1130±20%pF
Receiving Signal	≥350mV
Max. Allowable Working Pressure	2.5MPa
Operating Temperature	+0.1°C ~ +90°C
Installation Length	110mm
Connection Thread	G3/4
Diameter	DN15