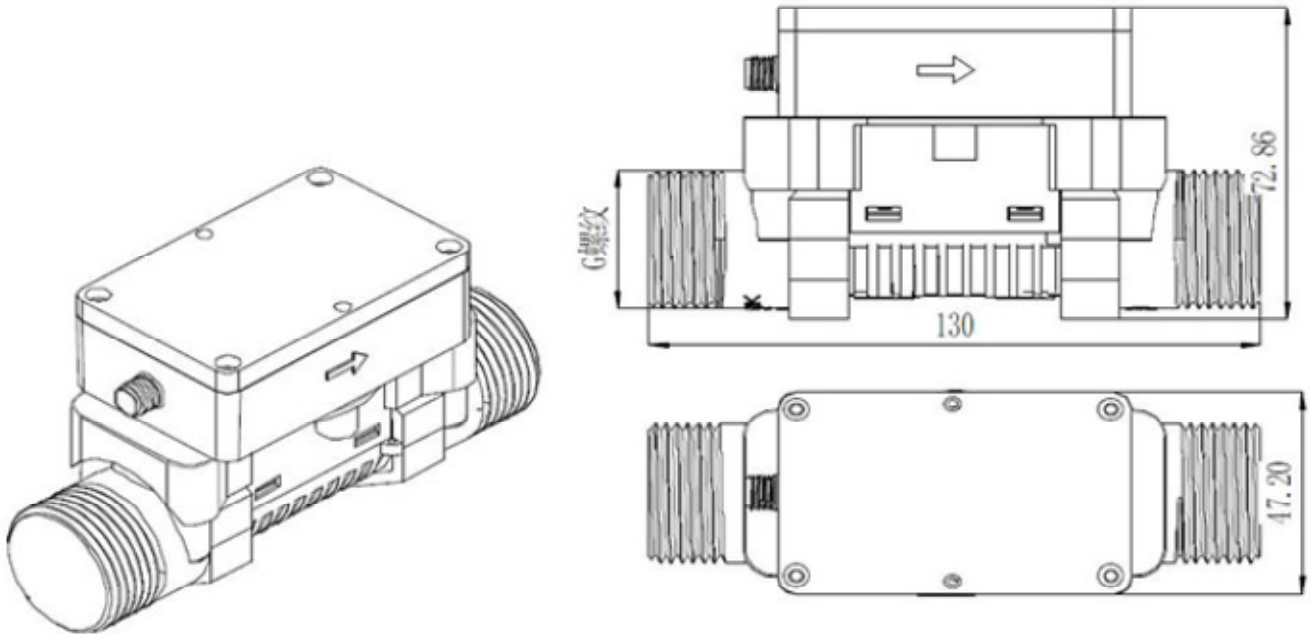


Dimensions



Specifications

| Item | Specifications |
|-------------------------|----------------|
| Diameter | DN 20 |
| Flow Range | 2.5~5000L/h |
| Max. Operating Pressure | 1.6 MPa |
| Protocol | UART |
| Power Supply | 5~24 V |
| Operating Temperature | 0.1°C~+50°C |