

# Pyroelectric IR sensor

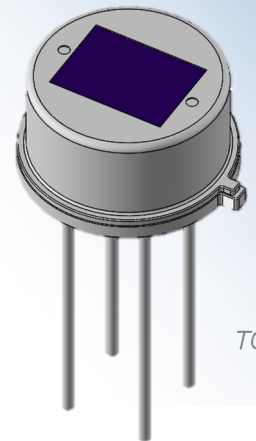


## D4-323-AA

D-Pyro™

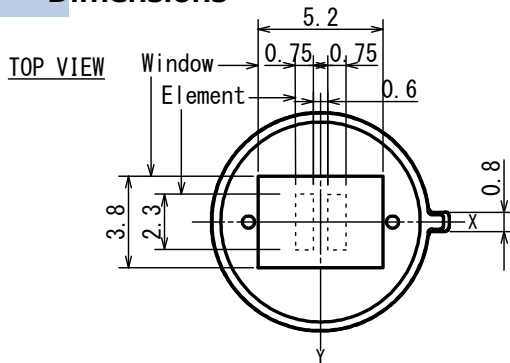
- Applications Doorbell, IP Camera, HVAC  
Home appliances, Security

- Feature Wide-angle detection dual sensor  
ASIC build-in type(I<sup>2</sup>C type)

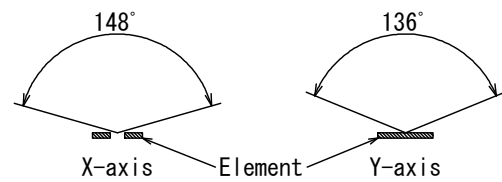


TO-5

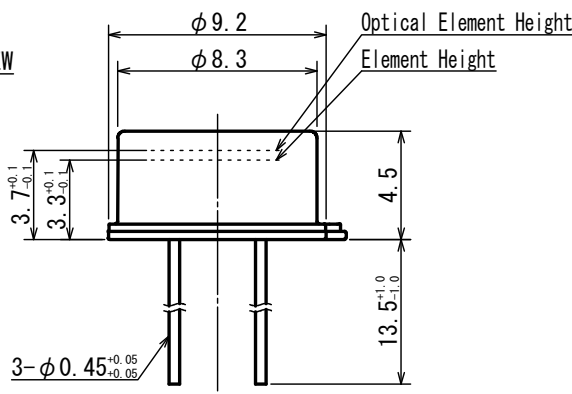
### Dimensions



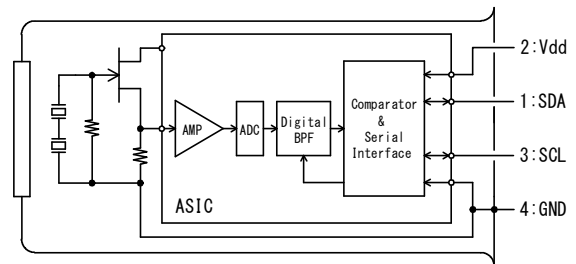
### FOV



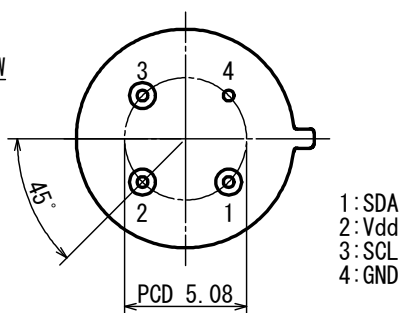
### SIDE VIEW



### Circuit diagram



### BOTTOM VIEW



Tolerance with no specified : +/- 0.2

### ■ Main Parameter

| Parameter                 | Condition | Spec. |      |      | Unit |
|---------------------------|-----------|-------|------|------|------|
|                           |           | Min.  | Typ. | Max. |      |
| Operating Voltage         |           | 1.8   |      | 5.5  | V    |
| Supply Current            | Vdd=3.0V  |       | 3    | 5    | μA   |
| Signal Output Bit Number  |           |       | 12   |      | bit  |
| I <sup>2</sup> C Bus Mode |           |       | 100  |      | kbps |
| Operating Temperature     |           | -40   |      | 80   | °C   |