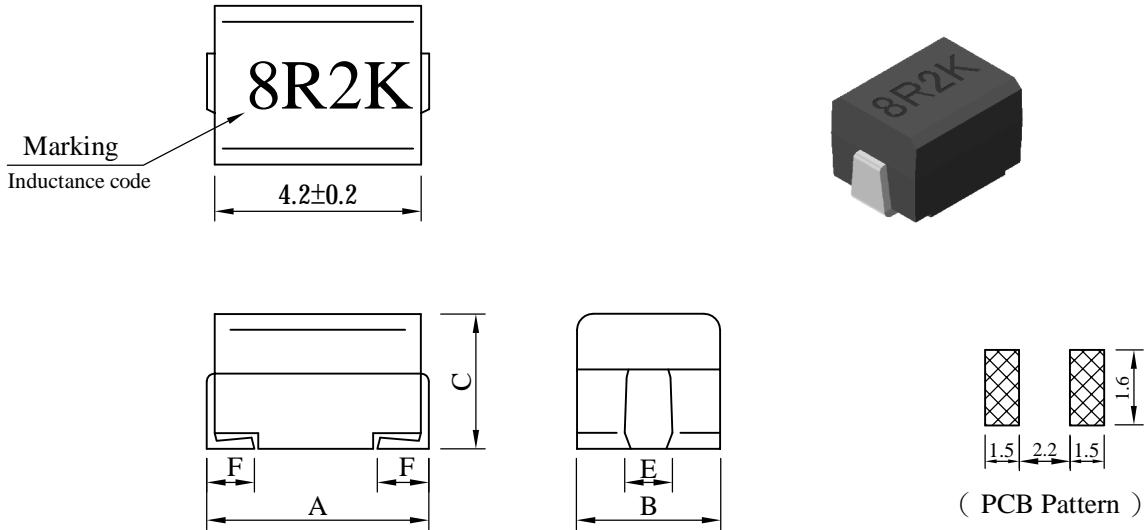


SPECIFICATION FOR APPROVAL

REF. :

PROD. NAME	Wound Chip Inductor	ABC'S DWG NO.	CC4532□□□□S□-□□□		
		REV.	20211026-C	PAGE	1

I . Configuration and dimensions :



Unit : mm

A	B	C	E	F
4.50 ±0.3	3.20 ±0.2	3.20±0.2	1.20	1.00 ^{+0.3} _{-0.0}

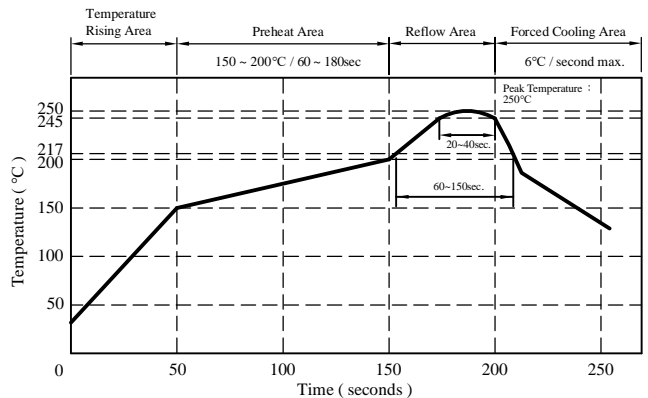
II . Description :

- a . Ferrite drum core construction.
- b . Enamelled copper wire : H class
- c . Product weight : 0.110 g (ref.)
- d . Moisture sensitivity Level 1
- e . Products comply with RoHS' requirements

III . General specification :

- a . Temp. rise : 20°C max.
- b . Ambient temp. : 100°C max.
- c . Operating temp. : -40°C-----+125°C
(Temp. rise included)
- d . Terminal pull strength : 1.5 kg min.
- e . Rated current : Current cause inductance drop within 10%
- f . Resistance to solder heat : 260°C.10 sec.
- g . Resistance to solvent : Per MIL-STD-202F

Reflow profile
 Peak temp : 250°C max.
 Max time above 245°C : 20~40sec max.
 Max time above 217°C : 60~150sec max.
 200°C~250°C Average Ramp-up Rate : 3°C/second max.



AR-001C

SPECIFICATION FOR APPROVAL

REF. :

PROD. NAME	Wound Chip Inductor	ABC'S DWG NO.	CC4532□□□□S□-□□□		
		REV.	20211026-C	PAGE	2

IV . Electrical characteristics :

DWG. No.	Inductance (μH)	Tolerance	Q min.	Test Freq. (MHz)	SRF (MHz) typ.	RDC (Ω) max.	IDC (mA) max.
CC45321R0□S□-□□□	1.0	J, K, M	10	7.960	265.0	0.11	1050
CC45321R2□S□-□□□	1.2	J, K, M	10	7.960	180.0	0.12	1000
CC45321R5□S□-□□□	1.5	J, K, M	10	7.960	170.0	0.15	950
CC45321R8□S□-□□□	1.8	J, K, M	10	7.960	105.0	0.16	900
CC45322R2□S□-□□□	2.2	J, K, M	10	7.960	80.0	0.18	850
CC45322R7□S□-□□□	2.7	J, K, M	10	7.960	60.0	0.20	800
CC45323R3□S□-□□□	3.3	J, K, M	10	7.960	55.0	0.22	750
CC45323R9□S□-□□□	3.9	J, K, M	10	7.960	45.0	0.24	700
CC45324R7□S□-□□□	4.7	J, K, M	10	7.960	43.0	0.27	650
CC45325R6□S□-□□□	5.6	J, K, M	10	7.960	40.0	0.30	650
CC45326R8□S□-□□□	6.8	J, K, M	10	7.960	35.0	0.35	600
CC45328R2□S□-□□□	8.2	J, K, M	10	7.960	30.0	0.40	600
CC4532100□S□-□□□	10.0	J, K, M	10	2.520	27.0	0.50	550
CC4532120□S□-□□□	12.0	J, K, M	10	2.520	25.0	0.60	500
CC4532150□S□-□□□	15.0	J, K, M	10	2.520	20.0	0.70	450
CC4532180□S□-□□□	18.0	J, K, M	10	2.520	19.0	0.80	400
CC4532220□S□-□□□	22.0	J, K, M	10	2.520	18.0	0.90	370
CC4532270□S□-□□□	27.0	J, K, M	10	2.520	16.0	1.20	330
CC4532330□S□-□□□	33.0	J, K, M	10	2.520	15.0	1.40	300
CC4532390□S□-□□□	39.0	J, K, M	10	2.520	13.0	1.60	280
CC4532470□S□-□□□	47.0	J, K, M	10	2.520	12.0	1.90	260
CC4532560□S□-□□□	56.0	J, K, M	10	2.520	10.0	2.20	240
CC4532680□S□-□□□	68.0	J, K, M	10	2.520	9.5	2.60	220
CC4532820□S□-□□□	82.0	J, K, M	10	2.520	8.5	3.50	200
CC4532101□S□-□□□	100.0	J, K, M	20	0.796	8.0	4.00	180
CC4532121□S□-□□□	120.0	J, K, M	20	0.796	7.0	4.50	160
CC4532151□S□-□□□	150.0	J, K, M	20	0.796	6.5	6.50	140
CC4532181□S□-□□□	180.0	J, K, M	20	0.796	6.0	7.50	120
CC4532221□S□-□□□	220.0	J, K, M	20	0.796	5.5	9.00	120
CC4532271□S□-□□□	270.0	J, K, M	20	0.796	5.0	11.00	100
CC4532331□S□-□□□	330.0	J, K, M	20	0.796	4.5	13.00	90
CC4532391□S□-□□□	390.0	J, K, M	20	0.796	4.0	14.00	85
CC4532471□S□-□□□	470.0	J, K, M	20	0.796	3.5	16.00	75
CC4532561□S□-□□□	560.0	J, K, M	20	0.796	3.0	21.00	70
CC4532681□S□-□□□	680.0	J, K, M	20	0.796	2.5	24.20	65

- 1). Electrical specifications at 25°C
- 2). Tolerance : J = ±5%, K = ±10%, M = ±20%

AR-001C

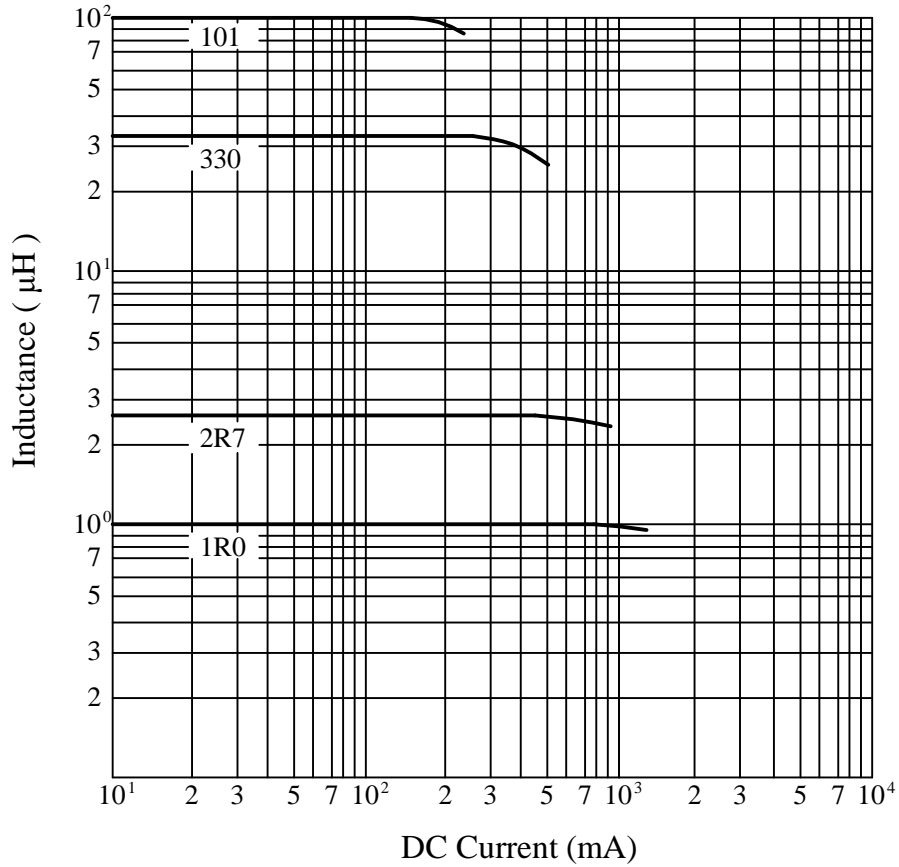
SPECIFICATION FOR APPROVAL

REF. :

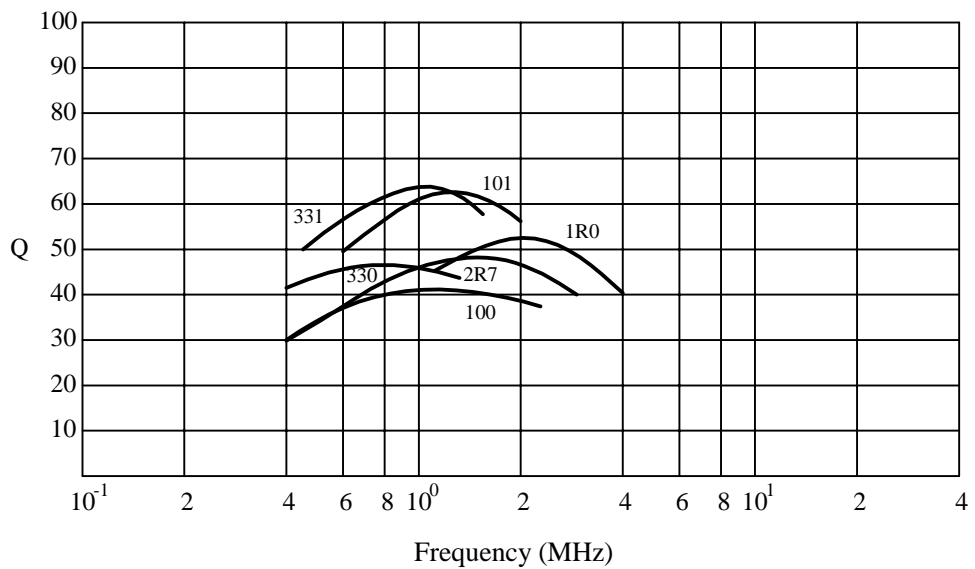
PROD. NAME	Wound Chip Inductor	ABC'S DWG NO.	CC4532□□□□S□-□□□		
		REV.	20211026-C	PAGE	3

V . Curve :

@ Inductance VS. DC Superposition Characteristics



@ Q VS. Frequency Response



AR-001C

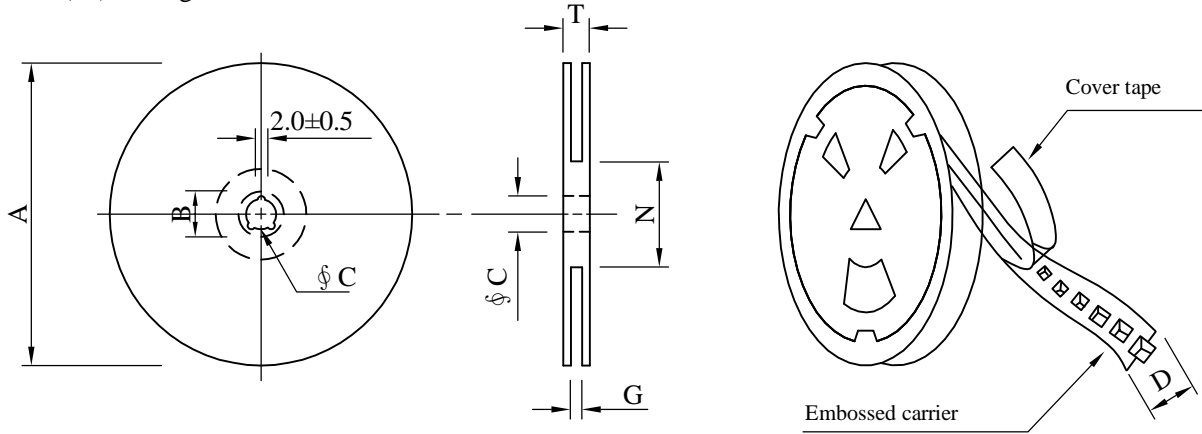
SPECIFICATION FOR APPROVAL

REF. :

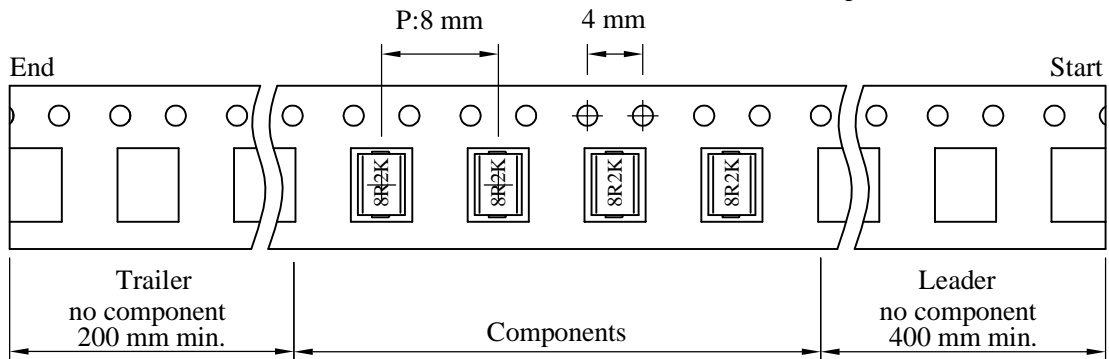
PROD. NAME	Wound Chip Inductor	ABC'S DWG NO.	CC4532□□□□S□-□□□		
		REV.	20211026-C	PAGE	4

VI . Packaging information :

(1) Configuration



※ Carrier tape width : D



※ There is no differentiation or directions of polarity (marking) in the packaging method.

(2) Dimensions

Unit:mm

Style	A	B	C	D	G	N	T
07 - 12	178	21±0.8	13	12	14 ⁺⁰	50 ⁻⁰	16.5
13 - 12	330	21±0.8	13±0.5	12	14 ⁺⁰	50 ⁻⁰	18.4

(3) Q'TY & G.W. Per package

Series	Inner : Reel			Outer : Carton		
	Q'TY (pcs)	G.W. (g)	Style	Q'TY (pcs)	G.W. (kg)	Size (cm)
B、D	500	140	07 - 12	20,000	8.00	39.5 x 39.5 x 23.0
C	2,000	550	13 - 12	18,000	8.50	37.5 x 36.5 x 19.0

AR-001C

SPECIFICATION FOR APPROVAL

REF. :

PROD. NAME	Wound Chip Inductor	ABC'S DWG NO.	CC4532□□□□S□-□□□		
		REV.	20211026-C	PAGE	6

VIII . Reliability test :

Item	Reference documents	Test Condition	Test Specification
1.High Temperature Exposure	MIL-STD-202 Method 108	1.Temperature: 125±2°C 2.Time:96±2 hours.	1.No mechanical or electrical damage. 2.Inductance shall not change more than ±10%.
2.Temperature Cycling	JESD22-A 104	1.Temperature: -40°C ~ +125°C 2.Number of cycle:100 cycles. 3.Dwell time:30 minutes	1.No mechanical or electrical damage. 2.Inductance shall not change more than ±10%.
3.Biased Humidity Test	MIL-STD-202 Method 103	1.Temperature : 85±2 °C 2.Humidity: 85% RH. 3.Time:96±2 Hours	1.No mechanical or electrical damage. 2.Inductance shall not change more than ±10%.
4.Operational Life	JESD22-A 108	1.Temperature: 125°C(Temp. rise included) 2.Time:96±2 hours. 3.Rated current	1.No mechanical or electrical damage. 2.Inductance shall not change more than ±10%.
5.External Visual	JESD22-B 101 & MIL-STD-883 Method 2009	Inspect product constructions, marking and workmanship.	1.No pollution on the surface of products. 2.Clear marking. 3.No crack.
6.Physical Dimensions	JESD22-B 100	Verify physical dimensions to the applicable product detail specification.	Per product specification standard
7.Resistance to solvents	MIL-STD-202 Method 215	Immerse into solvent for 3±0.5 minutes & brush 10 times for 3 cycles.	1.No body change in apperance. 2.No marking blurred. 3.Inductance shall not change more than ±10%.
8.Vibration Test	MIL-STD-202 Method 204	1.Frequency and Amplitued : 10-2000-10 Hz, 1.5 mm. 2.Direction:X, Y, Z 3.Test duration:2 hours for each direction, 6 hours in total.	1.No mechanical or electrical damage. 2.Inductance shall not change more than ±10%.
9.Resistance To Soldering Heat Test	MIL-STD-202 Method 210 & J-STD020D.1	1.Highest temperature : 250±5°C. 2.Time (temp.≥ 217°C) : 60~150 Seconds. 3.IR reflow times : 3 times.	1.No mechanical or electrical damage. 2.Inductance shall not change more than ±10%.
10.Saturation Current	JIS C 6436 & User SPEC.	1.Applied rated current for 5 second. 2.Rated current	Inductance shall not drop more than 10% max.
11.Over load	JIS C 6436 & User SPEC.	1.Applied one and half rated current for a period of 5 minutes. 2.Rated current	No electrical or mechanical damage
12.Temperature Rise Current	JIS C 6436 & User SPEC.	1.Applied rated current for 10 minutes. 2.Temperature measure by digital surface thermometer. 3.Irms current	Surface temperature rise is less than 20°C max.
13.Solderability Test	J-STD-002 & JESD22-B 102	1.Baking in pre-testing : 150±5°C / 16Hours±30 min. 2.Peak temperature : 240±5°C 3.Time (temp.≥217°C) : 60~150 seconds. 4.IR reflow times : 1 time.	More than 95% soldering coverage min on terminations.
14.Electrical Characteriazation	MIL-STD-202 Method 304 & User SPEC.	1.Operating temperature : -40°C~125°C 2.Room temperature : 25°C.	1.No mechanical or electrical damage. 2.Inductance shall not change more than ±10%.
15.Withstanding Voltage Test	MIL-STD-202 Method 301 & User SPEC.	1.DC: 500V (Terminal to Coating) 2.Time : 1minute.	1.During the test no breakdown. 2.No mechanical or electrical damage.
16.Insulation Resistance	MIL-STD-202 Method 302	DC voltage 100V applied between inductor terminal and coating for 1 minute.	1.IR = 1000MΩ Min. 2.No mechanical or electrical damage.
17.Drop	CNS-C6354 & GB/T 2423.8	1.Products shall be mounted on SPEC. pcb and dropped down from a heigh of 1m 2.Drop total time : 6 times. (Every side ofsample drop 2 time)	1. Adhesion on PCB shall be enough. 2. Product appearance shall not break. 3. No electrical damage.
18.Terminal Strength Test	IEC 60068-2-21	1.Apply push force to samples mounted on PCB. 2.Force of 1.8 kg for 60±1 seconds.	After test, inductors shall be no mechanical damage.

AR-001C

SPECIFICATION FOR APPROVAL

REF. :

PROD. NAME	Wound Chip Inductor	ABC'S DWG NO.	CC4532□□□□S□-□□□		
		REV.	20211026-C	PAGE	7

IX . Safety notes :

1. Products do not be used in related applications that directly affect the personal safety system or cause significant impacts and losses on society. If you apply to these applications, please be sure to contact us at first to confirm.
產品不可使用於直接影響人身安全系統或對社會會造成重大影響與損失之相關用途，若您應用於此，請務必優先與我們聯繫確認。
2. The storage period is less than 12 months. Ensure to follow the storage conditions (Temperature: 5 to 30 °C, Humidity: 10 to 60% RH or less). If the storage time is exceeded the limit, the electrodes might be deteriorate of terminal soldering.
儲存期不超過12個月，務必遵守儲存條件（溫度：5至30°C，濕度：10至60%RH以下）。如果超過了儲存時間，端子電極可能會氧化而影響焊接。
3. Do not use or store in locations where there are conditions such as gas corrosion (salt, acid, alkali, etc.).
不要在有氣體腐蝕等條件的地方使用或存放（鹽，酸，鹼等）。
4. Soldering corrections after mounting should be within the range of the conditions determined in the specifications. If overheated, a short circuit, performance deterioration, or lifespan shortening may occur.
安裝時的焊接條件應在規格範圍內。如果超過要求，可能會發生短路，性能下降或壽命縮短。
5. When using, it should try to avoid excessive mechanical impact on the product, such as collision / drop ... and other reasons.
使用時，應盡量避免產品受到過度機械衝擊，如碰撞/掉落... 等原因。
6. When embedding a printed circuit board where a chip is mounted to a set, be sure that residual stress is not given to the chip due to the overall distortion of the printed circuit board and partial distortion such as at screw tightening portions.
將已安裝新片的電路板組裝到裝置時，請注意應盡量避免電路板受到組裝變形... 等，導致產品受到應力。
7. Self heating (temperature increase) occurs when the power is turned ON, so the tolerance should be sufficient for the set thermal design.
產品會因通電而自我發熱(溫度上升)，因此在熱影響設計方面，需保留適當公差。
8. Do not expose the products to magnets or magnetic fields.
請勿將產品暴露於磁鐵或是磁場中。
9. If you would like to use this products to performance and/or quality require a more stringent level of safety or reliability, or whose failure, malfunction or trouble could cause serious damage to society, person or property, or if you have special requirements exceeding the range or conditions set forth in the each catalog, please contact us.
如果您希望將此產品用於性能和/或質量要求更嚴格的安全性或可靠性，或其失敗、故障或麻煩可能對社會、個人或財產造成嚴重損害，或者您有特殊情況要求超出目錄中規定的範圍或條件，請與我們聯繫。

AR-001C