

Issue Date	December, 2020
Issued by	Vegner, I.

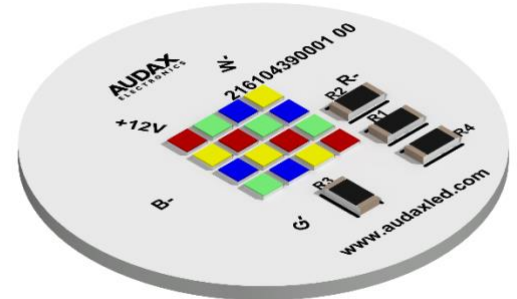
## LIGHT ENGINE COB 16 LEDs RGBW 30mm

### Applications

- Projectors
- Light cannons

### Characteristics

- Module Efficacy – up to 146 lm/W
- L70 > 60.000 hours
- 03 SDCM
- 05 years warranty



### DRIVING SPECIFICATION

Description	Typical Voltage	Typical Current (per channel)
LIGHT ENGINE COB 16 LEDs RGBW 30mm	12V	500mA

### MODULE TEMPERATURES

Parameter	Nominal	Max
Tc (temperature at Tc point)	75 °C	95 °C

### TECHNICAL INFORMATION

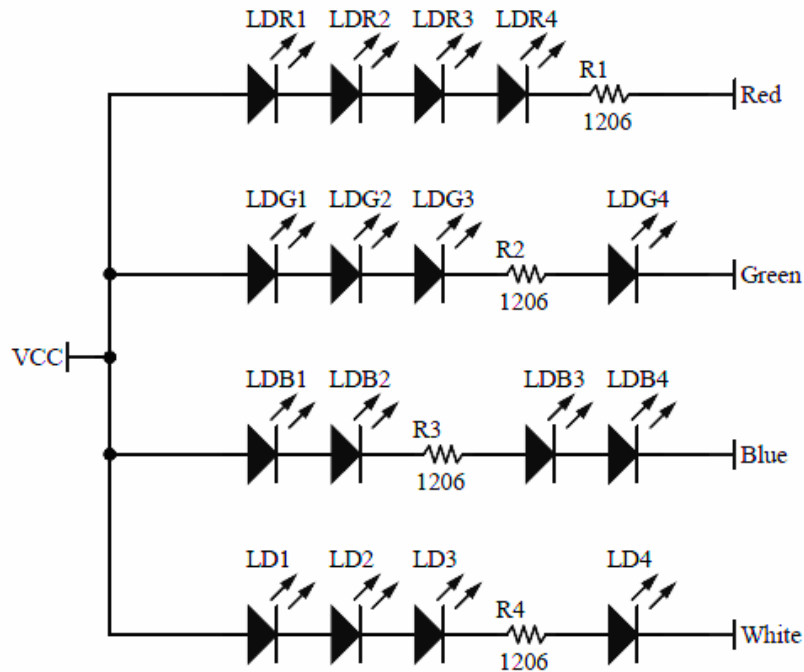
Part Number	Color	# LEDs	CCT/ Wavelength	Luminous Flux (lm)	Forward Voltage (V)	Forward Current Per LED Die (mA)	Tc (°C)	Power per Channel (W)	Efficacy (lm/W)
80279800100	Red	4	640nm	132.8	12	500	75	5.8W	22
	Green	4	520nm	848.8	12	420	75	5.8W	146
	Blue	4	450nm	86.3	12	500	75	5.8W	13
	White	4	2700K	595.6	12	500	75	5.8W	102

### LED TYPE

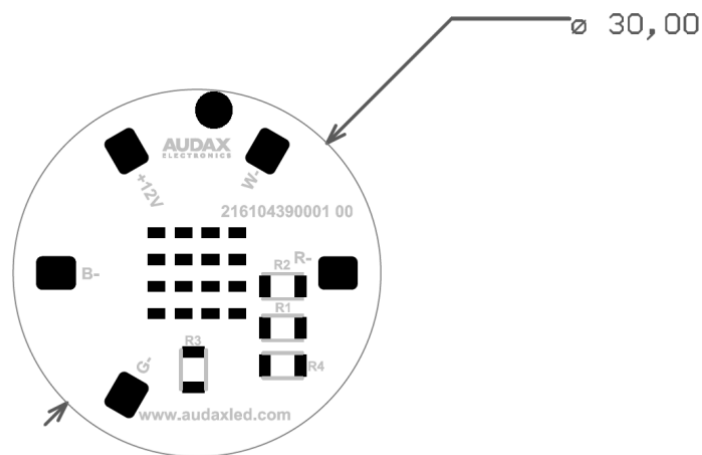
Manufacturer: NICHIA

LED Series: E17 Family

## SCHEMATICS



## MECHANICAL DRAWING



## WIRING

Unit: mm

Specification item	Value	Unit	Condition
Input wire cross- section	0.25...0.75 18...24	mm <sup>2</sup> AWG	Solid wire
Input wire strip length	7.5...8.5	mm	Solid wire
Input wire cross-section	0.33...0.5 20...22	mm <sup>2</sup> AWG	Stranded wire
Input wire strip length	7.5...8.5	mm	Stranded wire