

MDL,L BAND/D-3-5V SMA PLUG RG174 3M 6

LBAND01D-S6-00 Specification

1. Application

This product shall be applied as an antenna unit in positioning or timing system application.

2. Appearance

Antenna unit (with radome, connector, and cable - refer to an attached drawing)

Dimensions	37.5*34.5*12.5 mm
Radome	#D
Connector	SMA PLUG
Cable	RG174/ 3 M
Magnet	YES
Adhesive	NO
Label	NO
Weight	67g typ.

3. Operating Condition

Temperature	-40~+85 °C
-------------	------------

4. Storage Condition

Temperature	-40~+85 °C
Humidity	65±20 %RH

UNLESS OTHER SPECIFIED TOLERANCES ON :

X=N/A X.X=N/A X.XX=N/A

ANGLES=N/A HOLEDIA=N/A



INPAQ TECHNOLOGY CO., LTD.

SCALE : N/A

UNIT : mm

DRAWN BY : 紀尚佑

CHECKED BY : 紀尚佑

DESIGNED BY : 許振璋

APPROVED BY : 蔡凱翔

THIS DRAWINGS AND SPECIFICATIONS ARE THE PROPERTY OF INPAQ TECHNOLOGY CO.,LTD.AND SHALL NOT BE REPRODUCED OR USED AS THE BASIS FOR THE MANUFACTURE OR SALE OF APPARATUS OR DEVICES WITHOUT PERMISSION

TITLE : MDL,L BAND/D 3~5V SMA PLUG RG-174 3 M 6
LBAND01D-S6-00 Specification

DOCUMENT
NO.

ENS000134010

SPEC REV.

A1

5. Electrical Specification

* All value are defined at 25±15°C, 65±20 %RH, power handling 1 u watt, air pressure 960 ±100 hPa unless otherwise noted.

* Patch characteristics are measured with the 150 mm diameter ground plane in an anechoic chamber.

5-1. Patch

Characteristics	Specification	
Frequency Range	1525~1559 MHz	
Peak Gain	1525 MHz	3.8 dBic
	1537.5 MHz	5.6 dBic
	1550 MHz	3.8 dBic
	1559 MHz	1.3 dBic
Polarization	RHCP	
Axial Ratio	3.0 dB typ.	
VSWR	2.0 typ.	
Impedance	50 ohm	

5-2. Filter / LNA

Characteristics	Specification		
Frequency Range	1525~1559 MHz		
Gain	1525 MHz	27.0±3.0 dB	
	1537.5 MHz	27.0±3.0 dB	
	1550 MHz	27.0±3.0 dB	
	1559 MHz	26.0±3.0 dB	
Noise Figure	2.0 dB typ.		
Filter Out Band Attenuation	F ₁ = 1525 MHz	F ₁ -50 MHz	> 65 dB
		F ₁ -100 MHz	> 70 dB
	F ₂ = 1559 MHz	F ₂ +50 MHz	> 65 dB
		F ₂ +100 MHz	> 75 dB
Output VSWR	2.0 typ.		
Operation Voltage	3.0~5.0 V		
Current	13.0±3.0 mA		

UNLESS OTHER SPECIFIED TOLERANCES ON :

X=N/A X.X=N/A X.XX=N/A

ANGLES=N/A HOLEDIA=N/A



INPAQ TECHNOLOGY CO., LTD.

SCALE : N/A

UNIT : mm

DRAWN BY : 紀尚佑

CHECKED BY : 紀尚佑

DESIGNED BY : 許振璋

APPROVED BY : 蔡凱翔

THIS DRAWINGS AND SPECIFICATIONS ARE THE PROPERTY OF INPAQ TECHNOLOGY CO.,LTD.AND SHALL NOT BE REPRODUCED OR USED AS THE BASIS FOR THE MANUFACTURE OR SALE OF APPARATUS OR DEVICES WITHOUT PERMISSION

TITLE : MDL,L BAND/D 3~5V SMA PLUG RG-174 3 M 6
LBAND01D-S6-00 Specification

DOCUMENT
NO.

ENS000134010

SPEC REV.

A1

5-3. Overall Specification (Through Antenna, LNA, Without Cable Loss)

Characteristics	Specification	
Frequency Range	1525~1559 MHz	
Gain	1525 MHz	30.8±3.0 dB
	1537.5 MHz	32.6±3.0 dB
	1550 MHz	30.8±3.0 dB
	1559 MHz	27.3±3.0 dB
Output VSWR	2.0 typ.	
Operation Voltage	3.0~5.0 V	
Current	13.0±3.0 mA	

UNLESS OTHER SPECIFIED TOLERANCES ON :
X=N/A X.X=N/A X.XX=N/A
ANGLES=N/A HOLEDIA=N/A



INPAQ TECHNOLOGY CO., LTD.

SCALE : N/A

UNIT : mm

DRAWN BY : 紀尚佑

CHECKED BY : 紀尚佑

DESIGNED BY : 許振璋

APPROVED BY : 蔡凱翔

THIS DRAWINGS AND SPECIFICATIONS ARE THE PROPERTY OF INPAQ TECHNOLOGY CO.,LTD.AND SHALL NOT BE REPRODUCED OR USED AS THE BASIS FOR THE MANUFACTURE OR SALE OF APPARATUS OR DEVICES WITHOUT PERMISSION

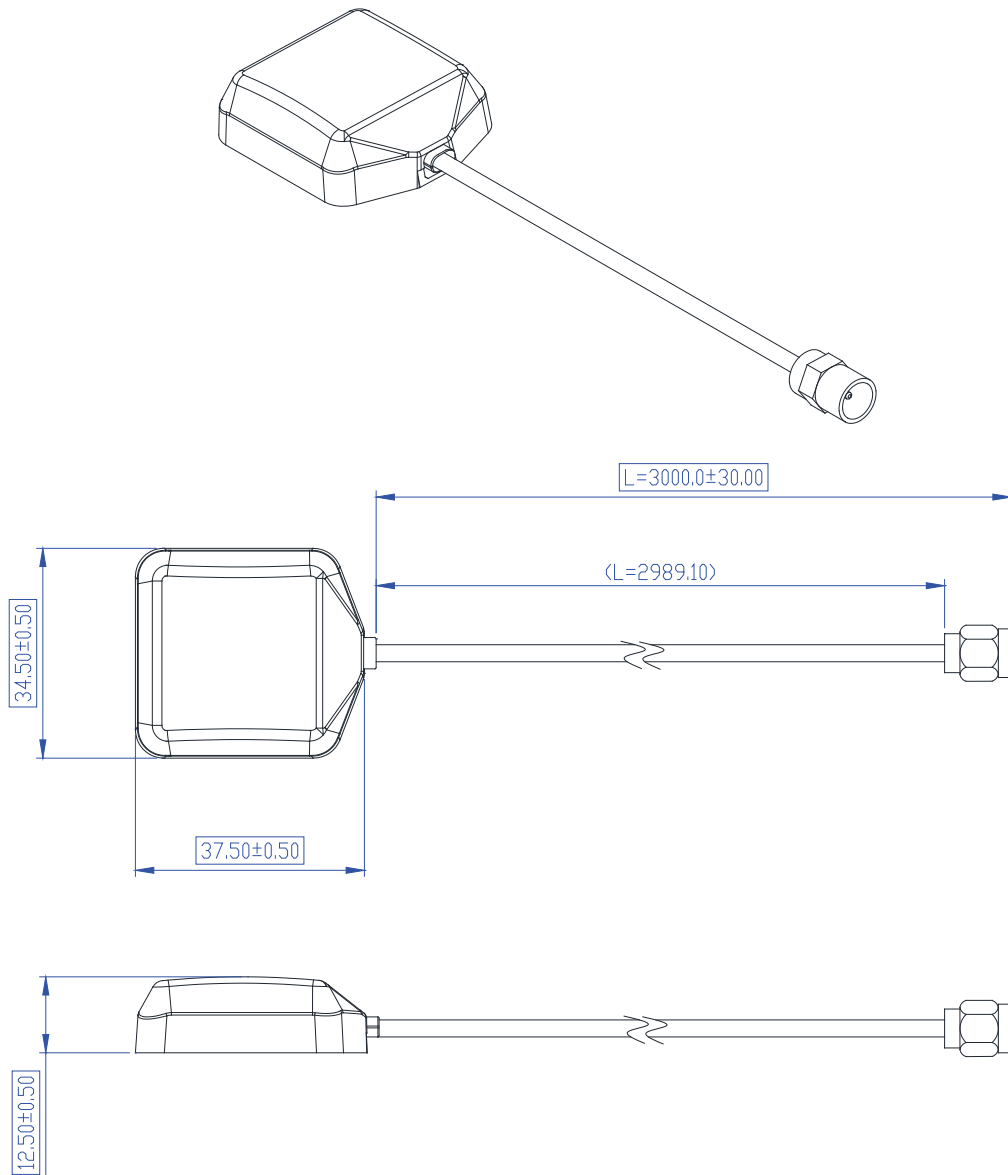
TITLE : MDL,L BAND/D 3~5V SMA PLUG RG-174 3 M 6
LBAND01D-S6-00 Specification

DOCUMENT NO.

ENS000134010

SPEC REV.
A1

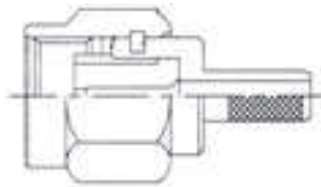
6. Antenna Dimensions



NOTE :

1. "○" INDICATES PROCESS CONTROL DIMENSION.
2. "□" INDICATES CPK CONTROL DIMENSION.

6-1. Connector Appearance (SMA PLUG)



UNLESS OTHER SPECIFIED TOLERANCES ON :

X=N/A X.X=N/A X.XX=N/A

ANGLES=N/A HOLEDIA=N/A



INPAQ TECHNOLOGY CO., LTD.

SCALE : N/A

UNIT : mm

DRAWN BY : 紀尚佑

CHECKED BY : 紀尚佑

DESIGNED BY : 許振璋

APPROVED BY : 蔡凱翔

THIS DRAWINGS AND SPECIFICATIONS ARE THE PROPERTY OF INPAQ TECHNOLOGY CO.,LTD.AND SHALL NOT BE REPRODUCED OR USED AS THE BASIS FOR THE MANUFACTURE OR SALE OF APPARATUS OR DEVICES WITHOUT PERMISSION

TITLE : MDL,L BAND/D 3~5V SMA PLUG RG-174 3 M 6
LBAND01D-S6-00 Specification

DOCUMENT
NO.

ENS000134010

SPEC REV.
A1