

Description

Chinasound Piezo Alarm 36mm diameter, type B, 5 to 15Vdc, Tone type T (Intermittent tone), Ultra Loud, 2 times per second pulse, C17(=43645-0200 connector) Wire 80mm, RoHS compliant

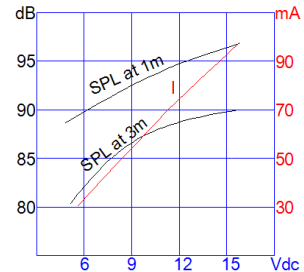
◆ RoHS compliant

- ◆ Reliable Solid State Piezoelectric Technology
- ◆ Flame Retardant Plastic
- ◆ Corrosion Resistance Diaphragm if required
- ◆ Easily mounted and connected
- ◆ Contains Lead zirconium titanium oxide (CAS 12626-81-2) more than 0.1%
- ◆ IP65

Picture



Characteristics



Specification

- Operating Mode
- Nominal Operating Voltage
- Operating Voltage
- Operating Frequency
- Sound Output
- Operating Current
- Operating Temperature
- Storage Temperature
- Termination

Ultra Loud, Intermittent Tone
 12Vdc
 5 to 15 Vdc
 2,900+/-300Hz
 100dBmin at 61cm, at 25°C
 80 mA at 12 Vdc
 -20°C to +65°C
 -20°C to +70°C

Construction Materials

Weight (Typical)

Reliability

Description
Termination Strength

Case

Diaphragm

Life Test

High Temperature

Low Temperature

Humidity

Thermal Cycle

Vibration

Shock

Drop Test

2 Wires, UL1015 AWG24# Red(+)/Black(-) with 43645-0200 connector
 Maximum of 15 pounds (6.8 Kg) load pull test for 10 seconds
 Panel mounted, 36B Case, plastic, NORYL™, PX9406 or equal, flame retardant UL 94-V0, Black
 Stainless Steel Disc 304
 34 g
 At rated voltage in room temperature, 1 cycle = 1 min. ON 4 min. OFF, continuously for 1000 hours
 function at +65+/-2 °C for 96 hours and room temperature for 2 hours
 function at -20+/-2 °C for 96 hours and room temperature for 2 hours
 +40 +/-2 °C, 90-95%RH for 48 hours and room temperature for 2 hours
 10 cycles from -20°C±2°C to +25°C, and 100 cycles from +70°C±2°C to +4°C
 1.5mm with 10 to 50Hz of vibration frequency to each of 3 perpendicular directions for 2 hours
 980m/s2 (=100g) shock for each mutually perpendicular directions, half sine wave, 3 times each
 Dropped naturally from 700mm height onto the surface of 10mm wooden board. 2 directions – upper and side of the part are applied
 At rated voltage in room temperature, 1 cycle = 1 min. ON 4 min. OFF, continuously for 1000 hours

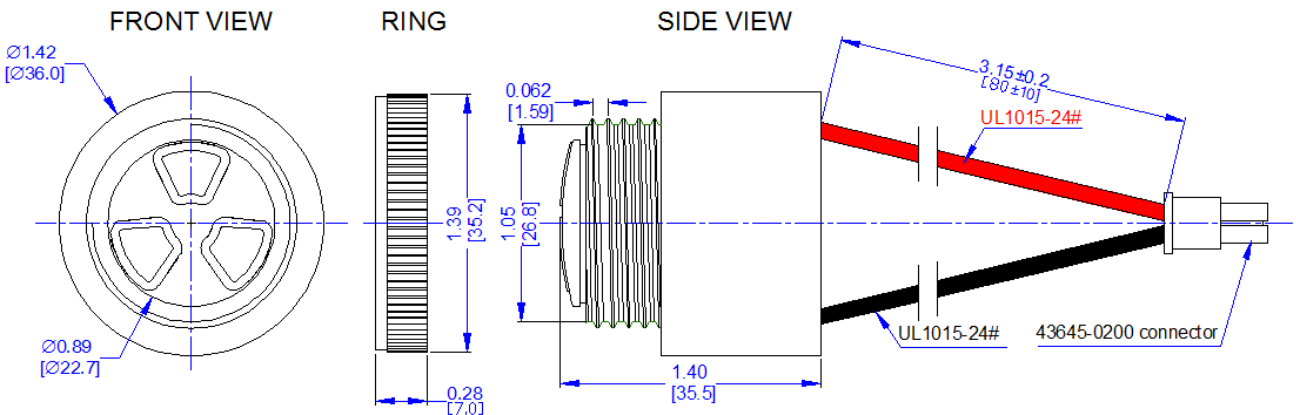
Warranty

For a period of two (2) years from date of manufacture under normal operating conditions.

* All specifications must be satisfied after the test (Recovery: 2 to 4 hrs of recovery under the standard condition after the removal from test chamber).

**90% min. soldering pads shall be with solder.(except the edge of pad)

Dimensions (Unit: mm, Tolerance: +/-0.03 inch [0.75mm])



All specifications are subject to change without notice.

Revisions History

Version Number	Description	Name	Date
SP1.12.206- primary	Original	Cady Li	2019-01-28

CPA36B515TU2C17W80

