

Description

Chinasound Loudspeaker 40mm diameter, Round metal frame, 16.5mm height, - 16 ohm rated impedance, NdFeB magnet, 2W rated power -Black PEN cone, 450 Hz rated frequency, RoHS compliant

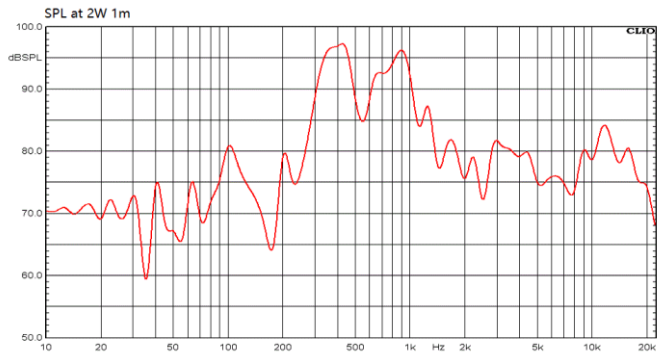
◆ RoHS compliant

◆ Water-proof

Picture



Frequency Response Curve



Specification

Rated Impedance

16+/-15% ohm (Other Rated Impedance is available.)

Rated Power

2 W

Max. Power

3 W

Resonant Frequency

450+/-20% Hz

Frequency Range

fo ~ 5,000 Hz

Sound Pressure Level

88+/-3 dB at 2W 1m (Average of SPL values at 650 1,000 1,200 & 1,500 Hz.)

Operating Temperature

-40°C to +85°C

Storage Temperature

-40°C to +100°C

Termination

Description

2 soldering lugs, Tin plated Brass added with solder

Construction Materials

Frame

Steel, Zn plated

Diaphragm

Black PEN

Weight (Typical)

15.5 g

Reliability

*Buzzes & Rattles

Must be normal at 5.66V(=2W) sine wave

*Load Test

2W white noise for 96hrs

*High Temperature

no function at +100 +/-2°C for 96 hours, function at +85+/-2°C for 16 hours,

*Low Temperature

no function at -40+/-2°C for 96 hours, function at -40+/-2°C for 16 hours,

*Humidity

+40+/-2°C, 90 ~ 95% R.H. for 96hrs

*Thermal Shock

-40+/-2°C, 30min->+20°C,15min,->+85+/-2°C, 30min->+20°C,15min, 5 cycles

*Vibration

0.75 mm with 10 to 55Hz of vibration frequency to each of 3 perpendicular direction for 15 minutes

*Soldering Heat Resistance

Pins are immersed up to 1.5mm from sounder's body in solder bath of 350+/-5°C for 3±0.5 seconds or 260+/-5°C for 10+/-1 seconds

**Solderability

Lead terminals are immersed in rosin for 5 seconds and then immersed in solder bath of 350+/-5°C for 3+/-0.5 seconds.

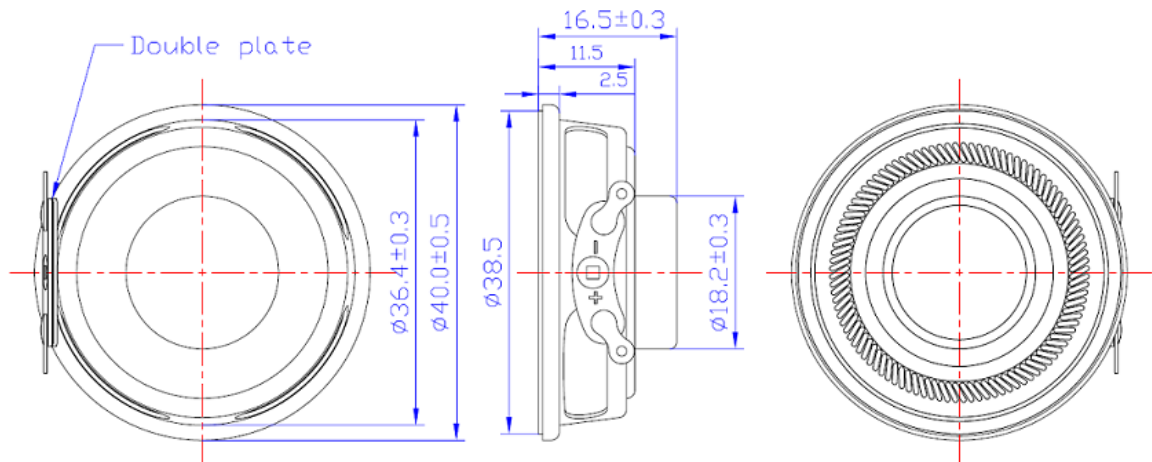
Warranty

For a period of one (1) year from date of manufacture under normal operations

* All specifications must be satisfied after the test (Recovery:2 to 4 hrs of recovery under the standard condition after the removal from test chamber).

**90% min. soldering pads shall be with solder.(except the edge of pad)

Dimensions (Unit: mm)



All specifications are subject to change without notice

Composed by: Chrissy D/160318

Checked by: Johnny Z, James Z/160318

Approved by: William W /160318



CHANGZHOU CHINASOUND ELECTRONICS CO., LTD.

Tel: +86-519-86182518 Fax: +86-519-86182519

http://www.chinasound.com

email: market@chinasound.com

Revisions History

| Version Number | Description | Name | Date |
|----------------|--------------------------------------------------------------------|--------------|------------|
| SP1.09.099-A0 | Original, CLS40R16.5-16N2-N450R | Eileen Guan | 2016-01-12 |
| SP1.09.099-A1 | Change the PN from CLS40R16.5-16N2-N450R to CLS40R16.5-16N2-BN450R | Chrissy Deng | 2016-03-18 |