

Description

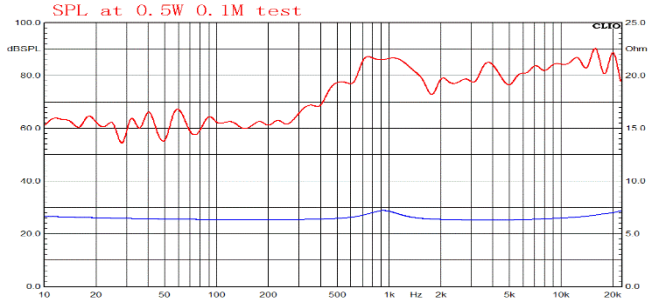
Chinasound Micro Speaker 08mm width, 13mm length, Square frame, 2.5mm height – 6 ohm rated impedance, NdFeB magnet, 0.5W rated power – Pen cone, 950 Hz resonant frequency, RoHS compliant

- ◆ RoHS compliant
- ◆ Water-proof
- ◆ Small size

Picture



Frequency Response Curve tested by Sound Check at 0.5W 0.1m



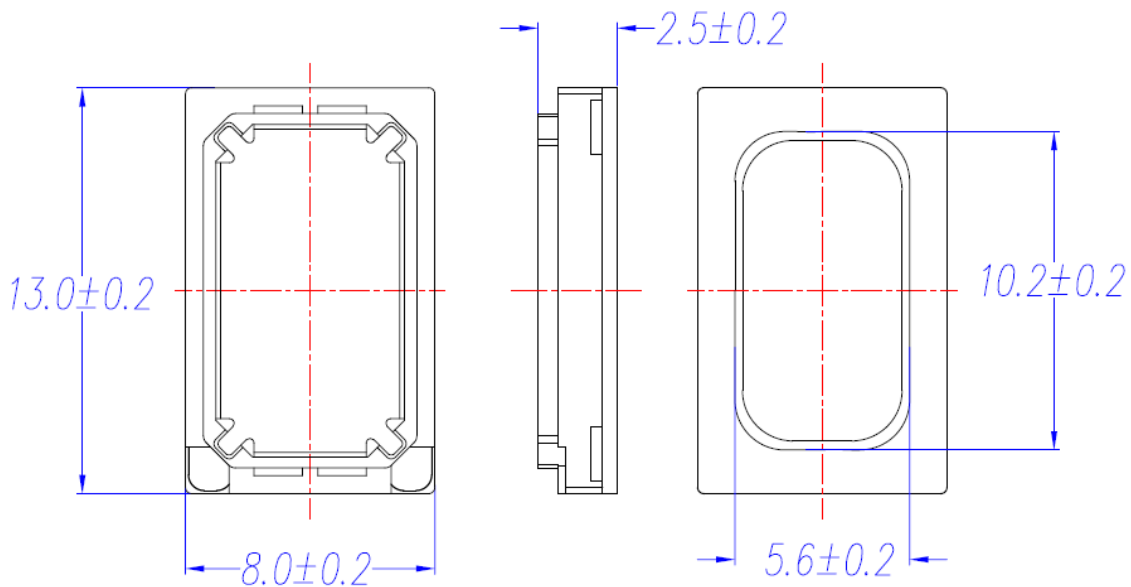
Specification

Rated Impedance	6+/-10% ohm
Rated Power	0.5 W
Max. Power	1 W
Resonant Frequency	950+/-20% Hz.
Frequency Range	fo ~ 20kHz,
Sound Pressure Level	84+/-3 dB 0.1W10cm (Average of SPL values at 800、1,000、1,200&1,500Hz)
Operating Temperature	-30°C to +70 °C
Storage Temperature	-40 °C to +85 °C
Termination	Description
Construction Materials	Case
	Diaphragm
Weight (Typical)	g
Reliability	*Buzes & Rattles
	*Load Test
	*High Temperature
	*Low Temperature
	*Humidity
	*Thermal Shock
	*Vibration

Warranty

* All specifications must be satisfied after the test (Recovery: 2 to 4 hrs of recovery under the standard condition after the removal from test chamber).
 **90% min. soldering pads shall be with solder.(except the edge of pad)

Dimensions (Unit: mm)



Any changes to this specification must be approved in writing by engineering prior to change

Revisions History

Version Number	Description	Name	Date
SP1.10.101-A0	Original, CMS0813S2.5-6N0.5-N950R	Chrissy Deng	2018-08-16