

**Description**

Chinasound Loudspeaker 20mm width, 40mm length, Square metal frame, 6.8mm height – 8 ohm rated impedance, NdFeB magnet, 1W rated power – cone with Cloth edge, 800 Hz, RoHS compliant –2 (PCB without solder added and gold plated, Poron foam label on magnetic cap)

◆ RoHS compliant

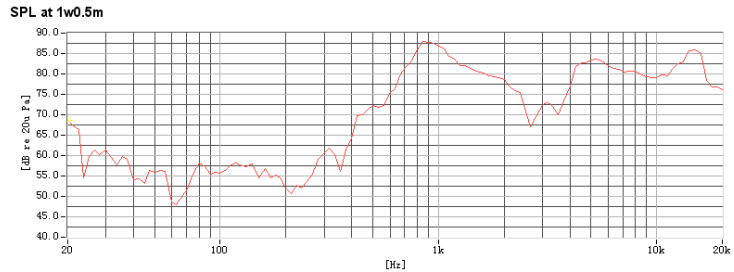
◆ Small Size with Low Rated Frequency

◆ Wide Frequency Range

**Picture**



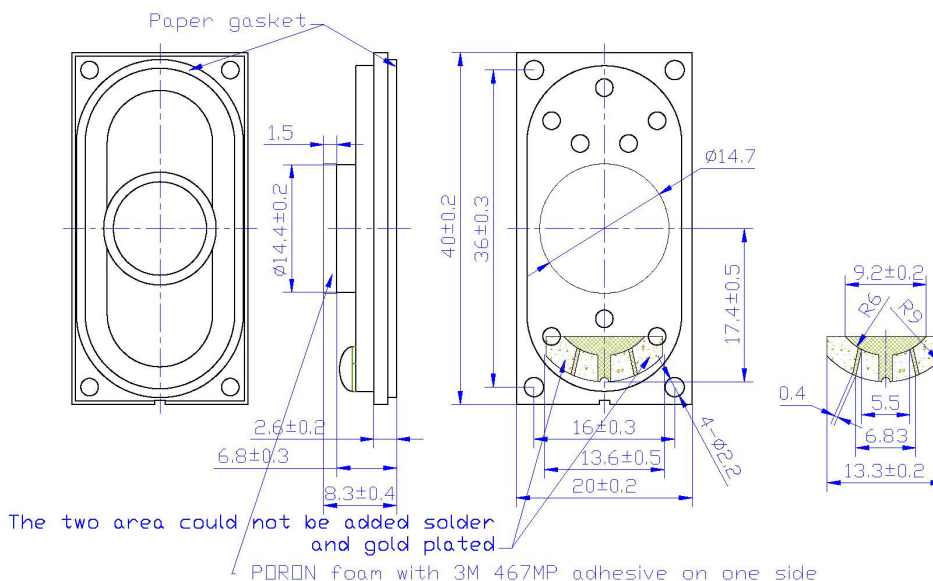
**Frequency Response Curve** by SoundCheck at 1W@0.5m



**Specification**

Rated Impedance	8+/-15% ohm
Rated Power	1 W
Max. Power	2 W
Resonant Frequency	800+/-20% Hz
Frequency Range	fo ~ 20,000 Hz
Sound Pressure Level	78+/-3 dB (Average of SPL values at 800, 1000, 1200 & 1500 Hz.) at 1m1W
Operating Temperature	-10 °C to +60 °C
Storage Temperature	-20 °C to +70 °C
Termination	PCB,gold plated
Construction Materials	Case Diaphragm
Weight (Typical)	7.7 g
Reliability	Must be normal at 2.83 V(=1W) sine wave 1W white noise for 96hrs no function at +70 +/-2 °C for 96 hours, function at +60+/-2 °C for 16 hours, no function at -20+/-2 °C for 96 hours, function at -10+/-2 °C for 16 hours, +40+/-2°C, 90 ~ 95% R.H. for 48hrs -10+/-2 °C, 30min→+20 °C,15min,→+40+/-2 °C, 30min→+20 °C,15min, 5 cycles 1.5mm with 10 to 50Hz of vibration frequency to each of 3 perpendicular direction for 2 hrs 350+/-5 °C iron put on terminal lugs for 3+/-1 seconds Lead terminals are immersed in rosin for 5 seconds and then immersed in solder bath of 350+/-5 °C for 3+/-0.5 seconds.
	For a period of one (1) year from date of manufacture under normal operations
<b>Warranty</b>	* All specifications must be satisfied after the test (Recovery:2 to 4 hrs of recovery under the standard condition after the removal from test chamber). **90% min. soldering lugs shall be with solder.(except the edge of pad)

**Dimensions ( Unit: mm )**



All specifications are subject to change without notice

Composed by: Chrissy D/121228 Checked by:Sam G,James Z/121228 A pproved by:William W/121228



CHANGZHOU CHINASOUND ELECTRONICS CO., LTD.

Tel: +86-519-86182518 Fax: +86-519-86182519

http://www.chinasound.com email: csound@jmail.com.cn

**Revision History**

Version Number	Description	Name	Date
080606	Original, PN is CLS2040S6.8-8N1-C800R-1	Jack Guo	2008-06-06
080620	Add note on PCB that two solder points for customer soldering could not be soldered	Jack Guo	2008-06-20
081125	Change the total height from 7.2+/-0.3mm to 6.8+/-0.3mm	Jack Guo	2008-11-25
081208	Define the PCB assembly place on frame precisely, customer will not solder wires on PCB, but use spring touch method to contact Speaker	Jack Guo	2008-12-08
090110	Change the termination from "PCB" to "PCB, gold plated"	Jack Guo	2009-01-10
090113	Add mark with polarity on magnetic cap	Jack Guo	2009-01-13
100422	Add Poron foam label on magnetic cap; PCB is re-designed, PN is changed to CLS2040S6.8-8N1-C800R-2	Jack Guo	2010-04-22
SP1.09.015-B1	Update version	Chrissy Deng	2012-12-28

Composed by: Chrissy D/121228    Checked by: Sam G, James Z/121228    Approved by: William W/121228

**ChinaSound****CHANGZHOU CHINASOUND ELECTRONICS CO., LTD.**

Tel: +86-519-86182518 Fax: +86-519-86182519

<http://www.chinasound.com>    email: [csound@jsoil.com.cn](mailto:csound@jsoil.com.cn)