



CT3031, CT3032, CT3033

CT3041, CT3042, CT3043

## 250V/400V Zero Cross 6-Pin Phototriac Optocoupler

### Features

- High isolation 5000 VRMS
- Peak Breakdown Voltage
  - 250V – CT3031,3032,3033
  - 400V – CT3041,3042,3043
- Temperature range - 55 °C to 100 °C
- Regulatory Approvals
  - UL - UL1577 (E364000)
  - VDE - EN60747-5-5(VDE0884-5)
  - CQC – GB4943.1, GB8898
  - IEC60065, IEC60950

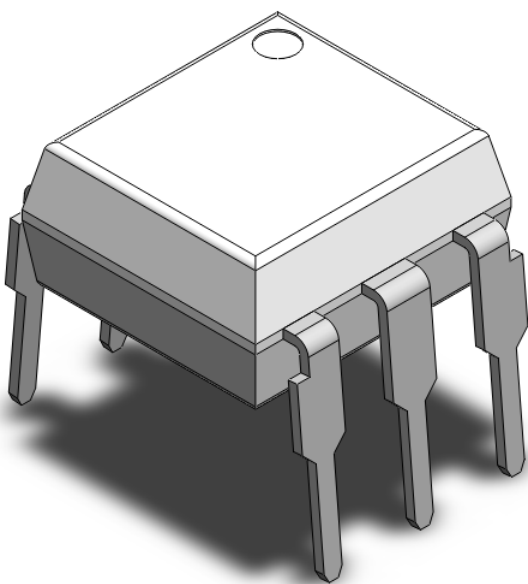
### Applications

- Motor Controls
- Lamp ballasts
- Static AC Power Switch
- Solenoid/ Valve Control

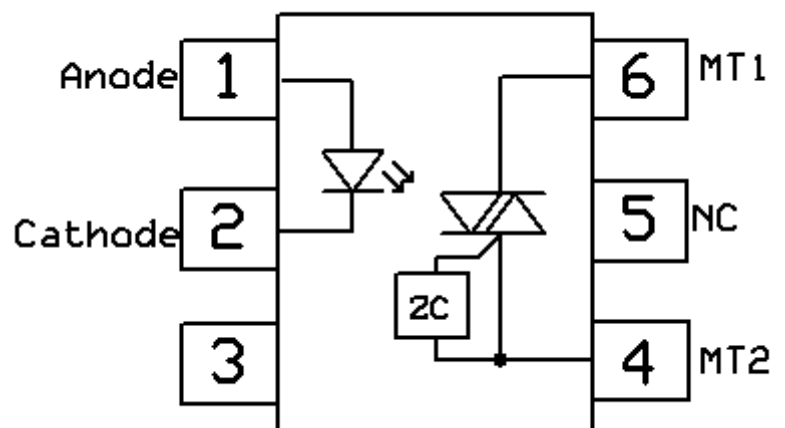
### Description

The CT3031, CT3032, CT3033, CT3041, CT3042 and CT3043 consists of a Zero Cross Photo Triac optically coupled to a gallium arsenide Infrared-emitting diode in a 6-Pin DIP package with different lead forming options.

### Package Outline



### Schematic



Note: Different lead forming options available. See package dimension.



CT3031, CT3032, CT3033

CT3041, CT3042, CT3043

## 250V/400V Zero Cross 6-Pin Phototriac Optocoupler

### Absolute Maximum Rating at 25°C

Symbol	Parameters	Ratings	Units	Notes
V <sub>ISO</sub>	Isolation voltage	5000	V <sub>RMS</sub>	
T <sub>OPR</sub>	Operating temperature	-55 ~ +100	°C	
T <sub>STG</sub>	Storage temperature	-55 ~ +150	°C	
T <sub>SOL</sub>	Soldering temperature	260	°C	
<b>Emitter</b>				
I <sub>F</sub>	Forward current	60	mA	
I <sub>F(TRANS)</sub>	Peak transient current (≤1μs P.W,300pps)	1	A	
V <sub>R</sub>	Reverse voltage	6	V	
P <sub>D</sub>	Power dissipation	100	mW	
<b>Detector</b>				
P <sub>D</sub>	Power dissipation	300	mW	
V <sub>DRM</sub>	Off-State Output Terminal Voltage	CT3031,3032,3033	250	V
		CT3041,3042,3043	400	V
I <sub>TSM</sub>	Peak Repetitive Surge Current	1	A	

**CT3031, CT3032, CT3033****CT3041, CT3042, CT3043****250V/400V Zero Cross 6-Pin Phototriac Optocoupler****Electrical Characteristics**  $T_A = 25^\circ\text{C}$  (unless otherwise specified)**Emitter Characteristics**

Symbol	Parameters	Test Conditions	Min	Typ	Max	Units	Notes
$V_F$	Forward voltage	$I_F = 10\text{mA}$	-	-	1.5	V	
$I_R$	Reverse Current	$V_R = 6\text{V}$	-	-	5	$\mu\text{A}$	
$C_{IN}$	Input Capacitance	$f = 1\text{MHz}$	-	45	-	pF	

**Detector Characteristics**

Symbol	Parameters	Test Conditions	Min	Typ	Max	Units	Notes
$I_{DRM1}$	Peak Blocking Current	$I_F = 0\text{mA}$ , $V_{DRM} = \text{Rated } V_{DRM}$	-	-	100	nA	
$I_{DRM2}$	Inhibit Leakage Current	$I_F = \text{Rated } I_{FT}$ , $V_{DRM} = \text{Rated } V_{DRM}$	-	-	500	$\mu\text{A}$	
$V_{INH}$	Inhibit Voltage	$I_F = \text{Rated } I_{FT}$	-	-	20	V	
$V_{TM}$	Peak On-State Voltage	$I_F = \text{Rated } I_{FT}$ , $I_{TM} = 100\text{mA}$	-	-	3	V	
dv/dt	Critical Rate of Rise off-State Voltage	$V_{PEAK} = \text{Rated } V_{DRM}$	1000	-	-	V/ $\mu\text{s}$	

**Transfer Characteristics**

Symbol	Parameters		Test Conditions	Min	Typ	Max	Units	Notes
$I_{FT}$	Input	CT3031, CT3041	Terminal Voltage = 3V $I_{TM} = 100\text{mA}$	-	-	15	mA	
	Trigger	CT3032, CT3042		-	-	10		
	Current	CT3033, CT3043		-	-	5		
$I_H$	Holding Current			-	270	-	$\mu\text{A}$	
$R_{IO}$	Isolation Resistance		$V_{IO} = 500\text{V}_{DC}$	$1 \times 10^{11}$	-	-	$\Omega$	
$C_{IO}$	Isolation Capacitance		$f = 1\text{MHz}$	-	0.25	-	pF	



Typical Characteristic Curve

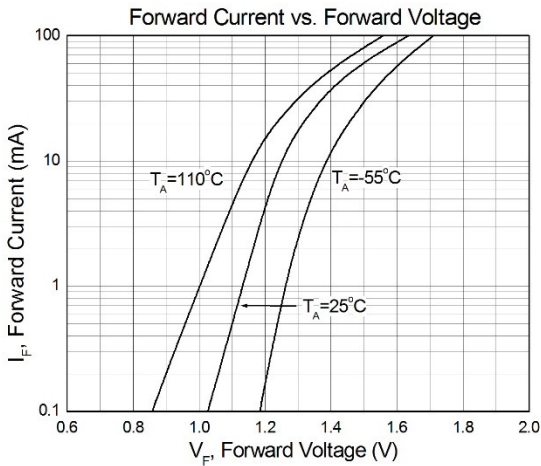


Figure 1

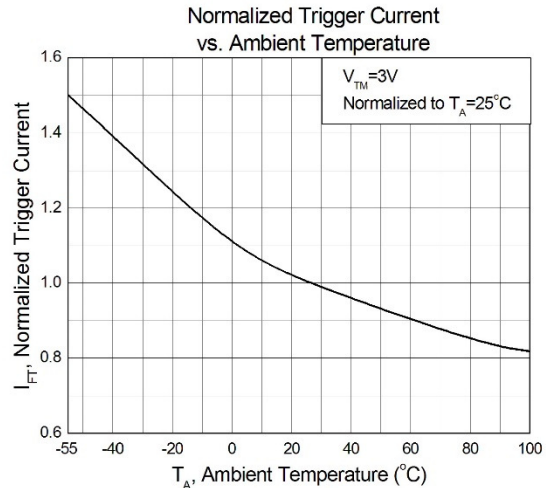


Figure 2

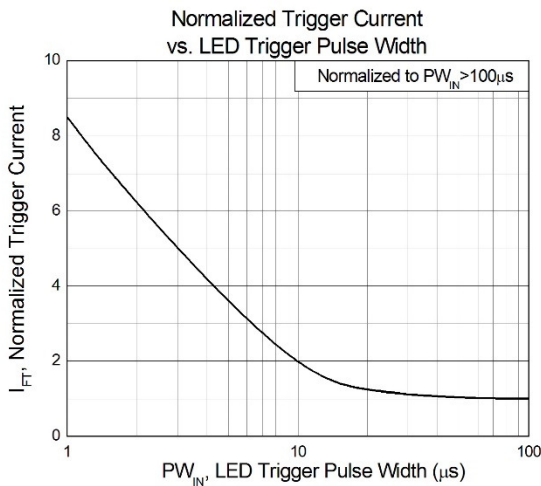


Figure 3

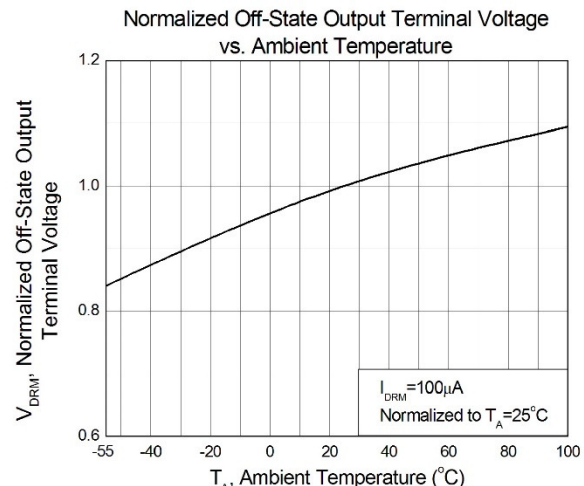


Figure 4

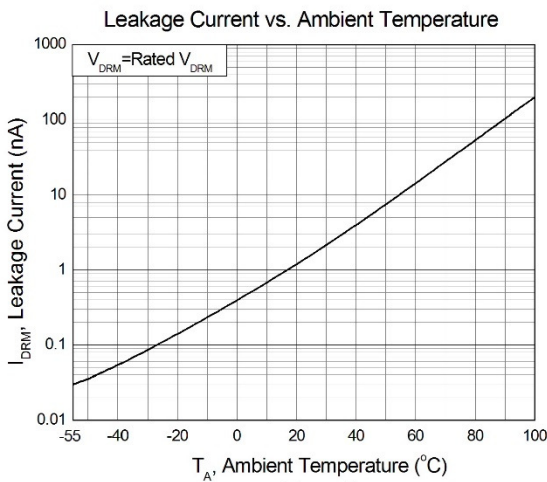


Figure 5

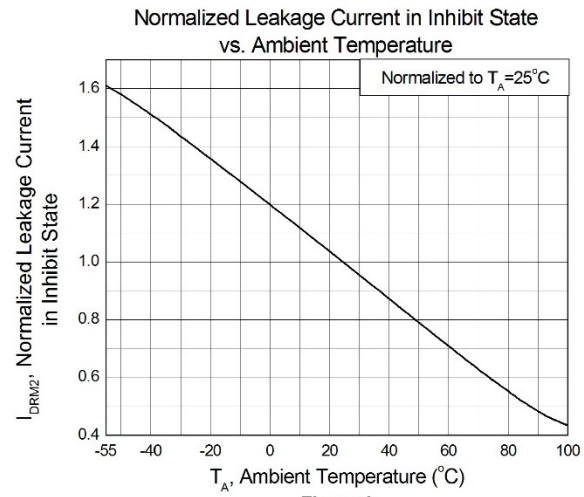


Figure 6



# 250V/400V Zero Cross 6-Pin Phototriac Optocoupler

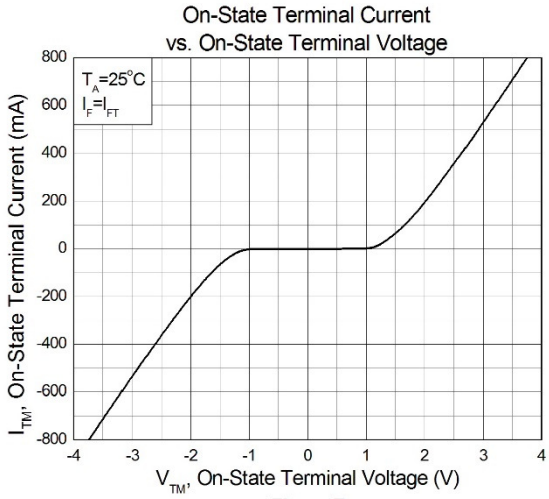


Figure 7

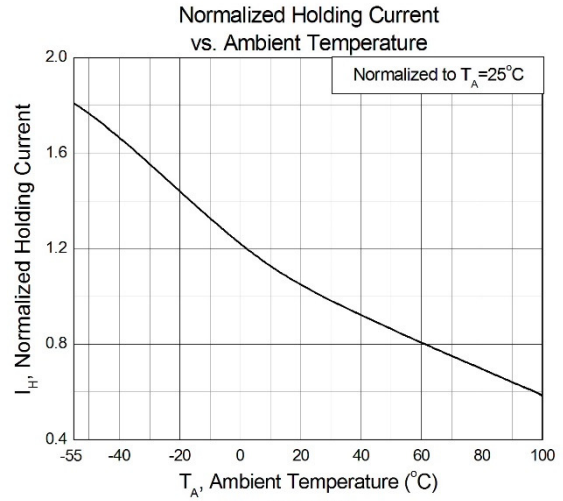


Figure 8

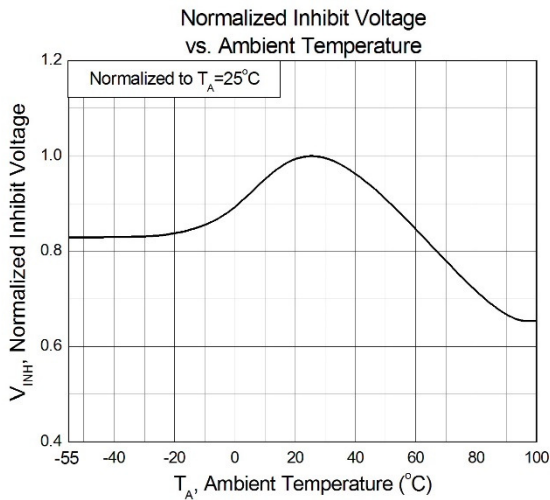


Figure 9



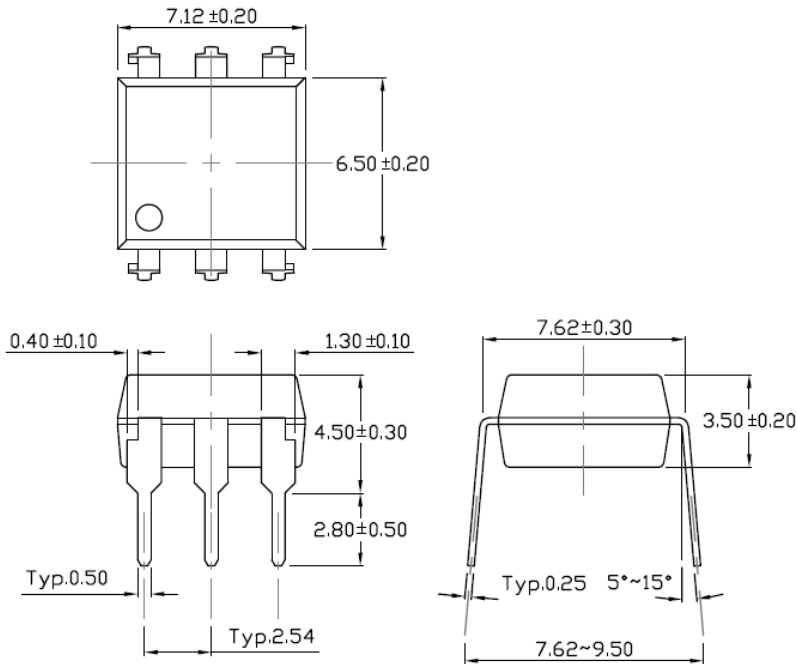
CT3031, CT3032, CT3033

CT3041, CT3042, CT3043

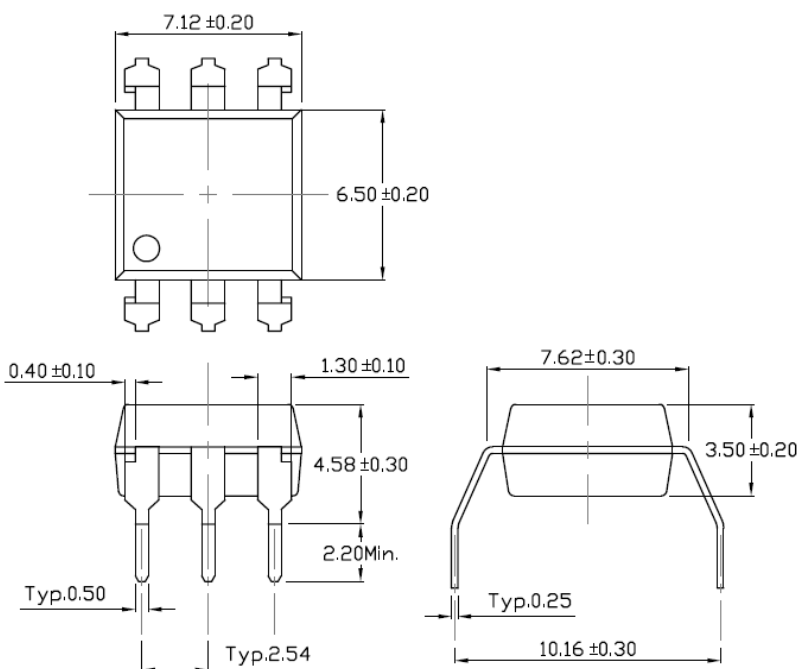
## 250V/400V Zero Cross 6-Pin Phototriac Optocoupler

### Package Dimension *Dimensions in mm unless otherwise stated*

#### Standard DIP – Through Hole



#### Wide Lead Forming – Through Hole (M Type)



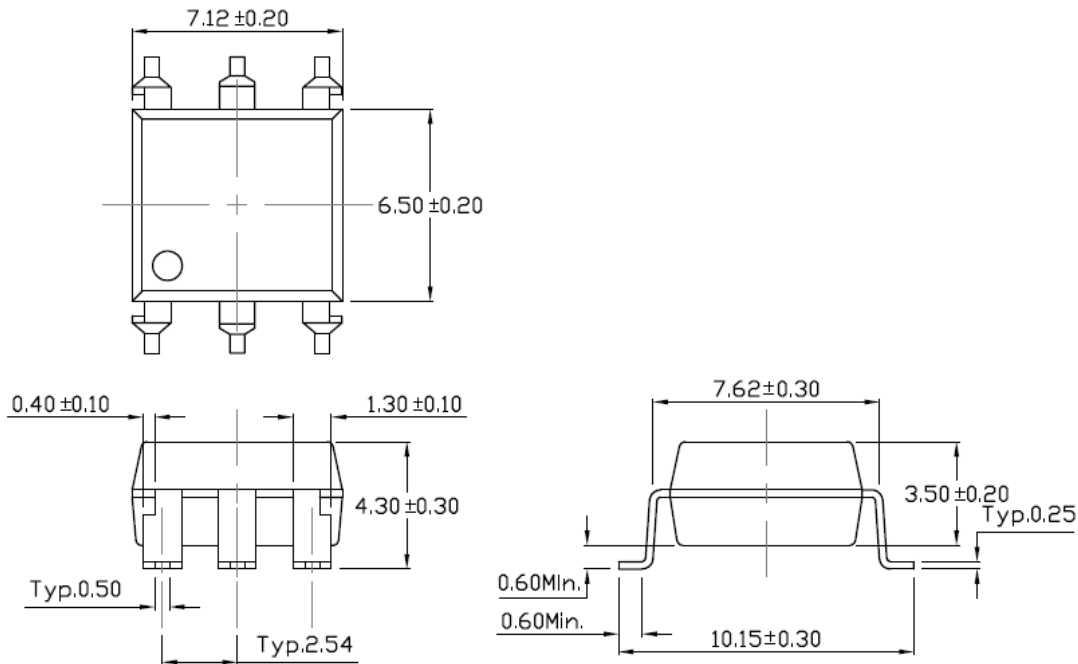


CT3031, CT3032, CT3033

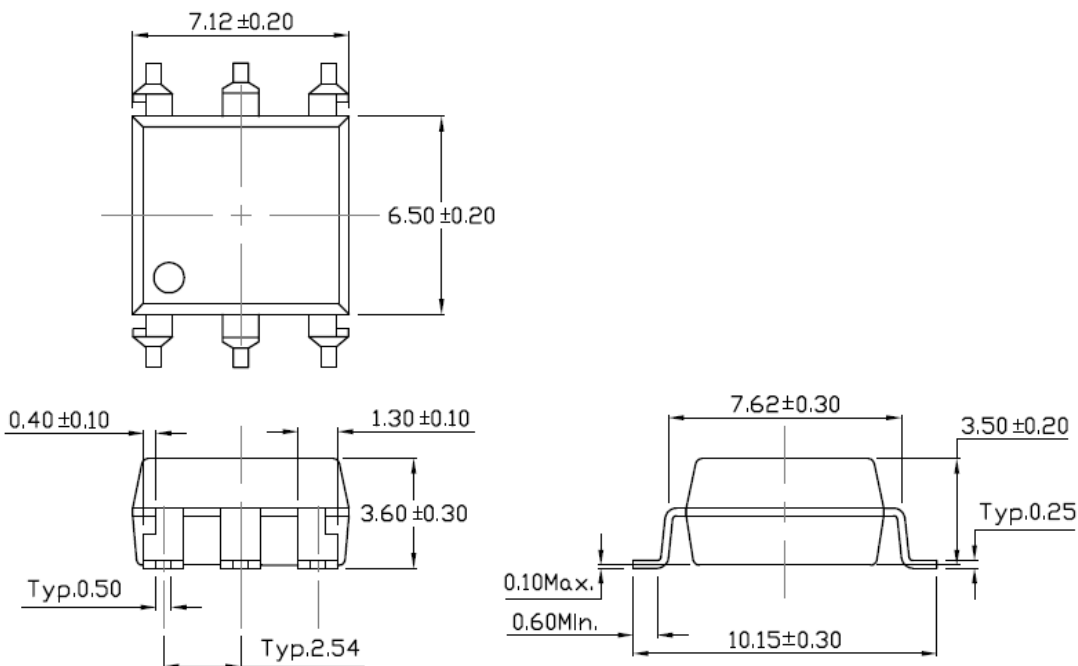
CT3041, CT3042, CT3043

## 250V/400V Zero Cross 6-Pin Phototriac Optocoupler

### Surface Mount Forming (S Type)



### Surface Mount Forming (Low Profile) (SL Type)



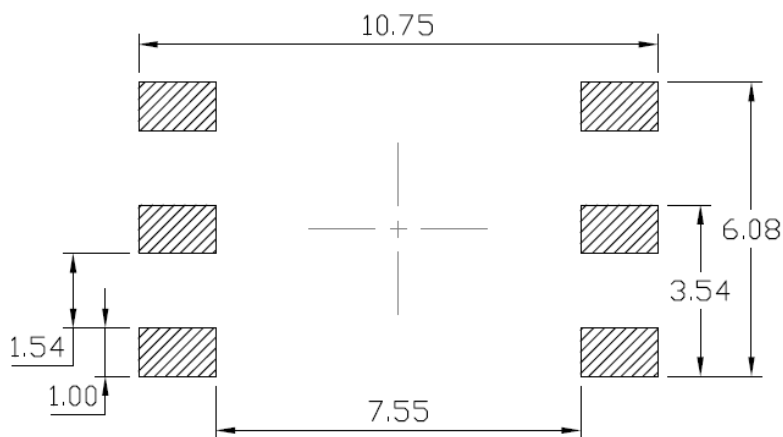


CT3031, CT3032, CT3033

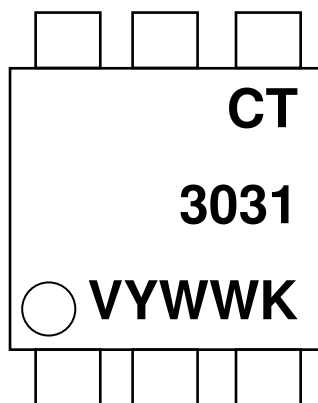
CT3041, CT3042, CT3043

## 250V/400V Zero Cross 6-Pin Phototriac Optocoupler

### Recommended Solder Mask *Dimensions in mm unless otherwise stated*



### Marking Information



#### Note:

- CT : Denotes "CT Micro"
- 3031 : Part Number
- V : VDE Option
- Y : Fiscal Year
- WW : Work Week
- K : Manufacturing Code





CT3031, CT3032, CT3033

CT3041, CT3042, CT3043

## 250V/400V Zero Cross 6-Pin Phototriac Optocoupler

---

### Ordering Information

CT303X(V)(Y)(Z)-G, CT304X(V)(Y)(Z)-G

X = Part No. (X=1,2,3)

V = VDE Option (V or None)

Y = Lead form option (S, SL, M or none)

Z = Tape and reel option (T1, T2 or none)

G= Material option (G: Green, None: Non-green)

<b>Option</b>	<b>Description</b>	<b>Quantity</b>
None	Standard 6 Pin Dip	50Units/Tube
M	Gullwing (400mil) Lead Forming	50Units/Tube
S(T1)	Surface Mount Lead Forming – With Option 1 Taping	1000 Units/Reel
S(T2)	Surface Mount Lead Forming – With Option 2 Taping	1000 Units/Reel
SL(T1)	Surface Mount (Low Profile) Lead Forming– With Option 1 Taping	1000 Units/Reel
SL(T2)	Surface Mount (Low Profile) Lead Forming – With Option 2 Taping	1000 Units/Reel



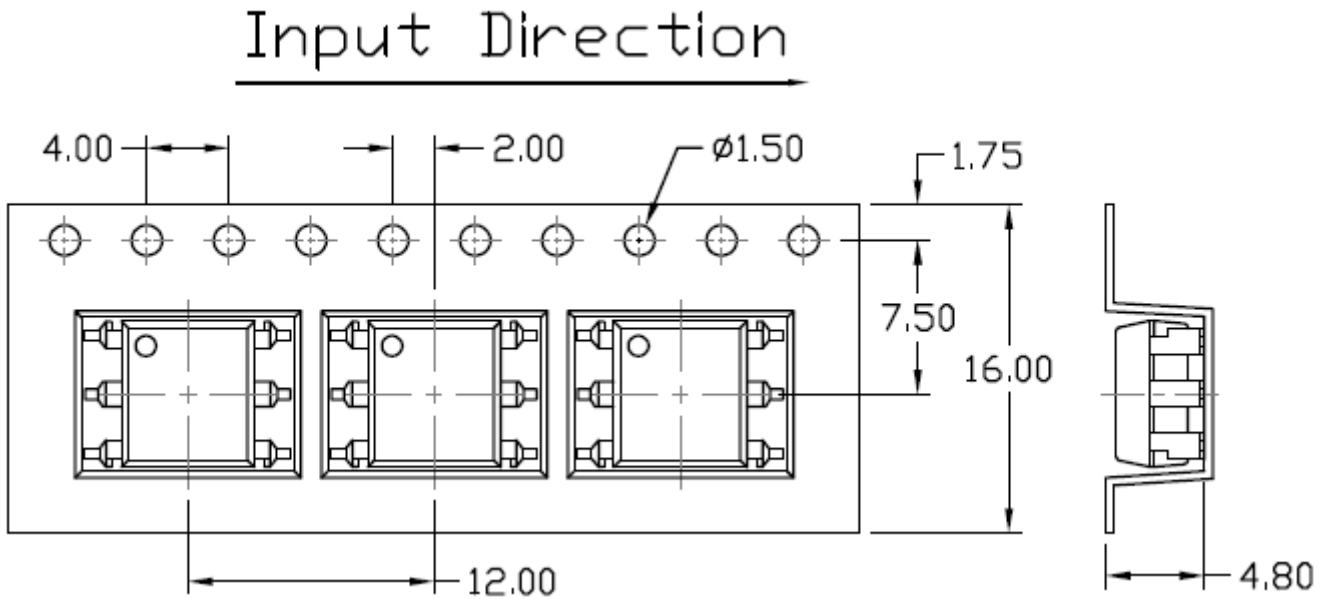
CT3031, CT3032, CT3033

CT3041, CT3042, CT3043

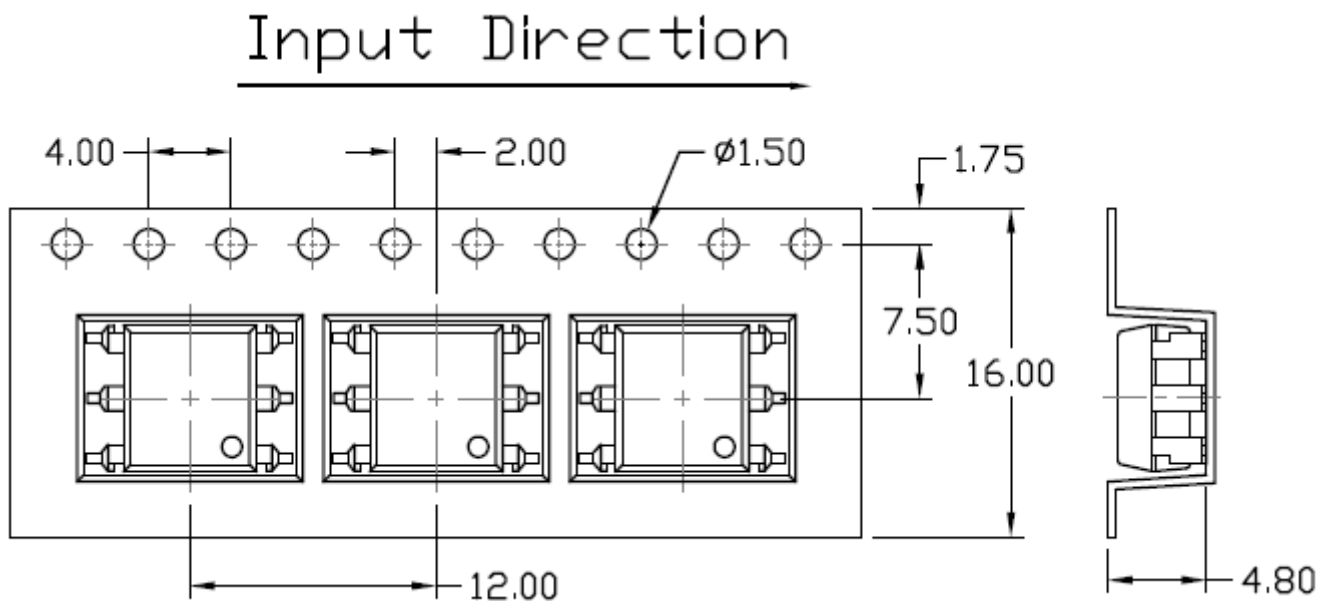
## 250V/400V Zero Cross 6-Pin Phototriac Optocoupler

### Carrier Tape Specifications *Dimensions in mm unless otherwise stated*

#### Option S(T1) & SL(T1)



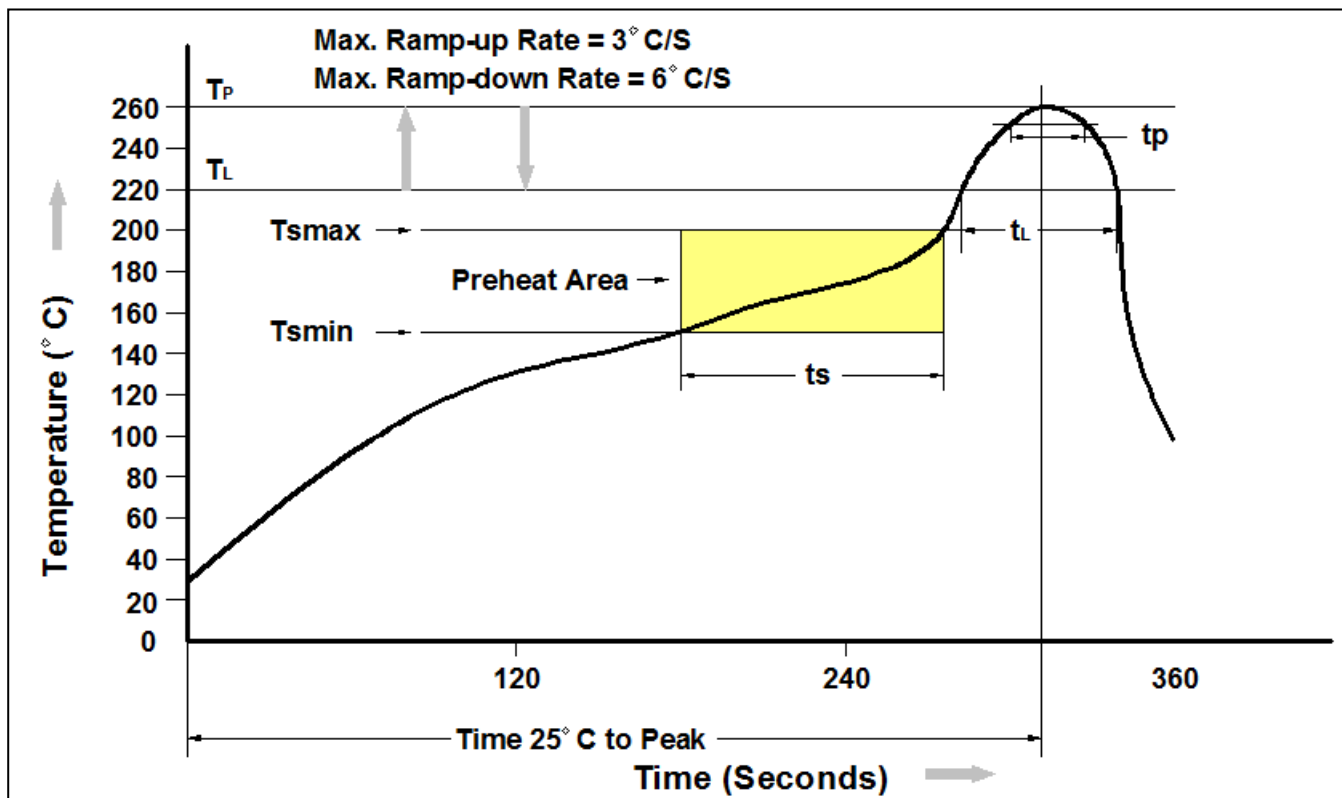
#### Option S(T2) & SL(T2)





250V/400V Zero Cross 6-Pin Phototriac Optocoupler

Reflow Profile



Profile Feature	Pb-Free Assembly Profile
Temperature Min. (Tsmmin)	150 °C
Temperature Max. (Tsmmax)	200 °C
Time (ts) from (Tsmmin to Tsmmax)	60-120 seconds
Ramp-up Rate (tL to tP)	3 °C/second max.
Liquidous Temperature (TL)	217 °C
Time (tL) Maintained Above (TL)	60 – 150 seconds
Peak Body Package Temperature	260 °C +0 °C / -5 °C
Time (tP) within 5 °C of 260 °C	30 seconds
Ramp-down Rate (TP to TL)	6 °C/second max
Time 25 °C to Peak Temperature	8 minutes max.



CT3031, CT3032, CT3033

CT3041, CT3042, CT3043

## 250V/400V Zero Cross 6-Pin Phototriac Optocoupler

---

### DISCLAIMER

CT MICRO RESERVES THE RIGHT TO MAKE CHANGES WITHOUT FURTHER NOTICE TO ANY PRODUCTS HEREIN TO IMPROVE RELIABILITY, FUNCTION OR DESIGN. CT MICRO DOES NOT ASSUME ANY LIABILITY ARISING OUT OF THE APPLICATION OR USE OF ANY PRODUCT OR CIRCUIT DESCRIBED HEREIN; NEITHER DOES IT CONVEY ANY LICENSE UNDER ITS PATENT RIGHTS, NOR THE RIGHTS OF OTHERS.

---

DISCOLORATION MIGHT OCCUR ON THE PACKAGE SURFACE AFTER SOLDERING, REFLOW OR LONG TERM USE. THIS DOES NOT IMPACT THE PRODUCT PERFORMANCE NOR THE PRODUCT RELIABILITY.

---

CT MICRO ARE NOT AUTHORIZED FOR USE AS CRITICAL COMPONENTS IN LIFE SUPPORT DEVICES OR SYSTEMS WITHOUT EXPRESS WRITTEN APPROVAL OF CT MICRO INTERNATIONAL CORPORATION.

- 1. Life support devices or systems are devices or systems which, (a) are intended for surgical implant into the body, or (b) support or sustain life, or (c) whose failure to perform when properly used in accordance with instruction for use provided in the labelling, can be reasonably expected to result in significant injury to the user.*
- 2. A critical component is any component of a life support device or system whose failure to perform can be reasonably expected to cause the failure of the life support device or system, or to affect its safety or effectiveness.*