

# Series BMA - subminiature blind mate connectors

## Description

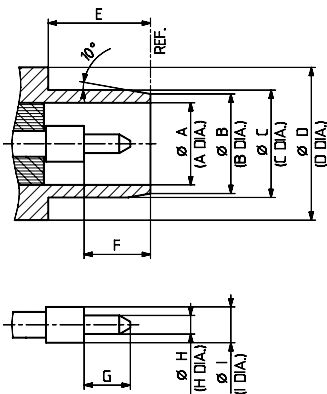
HUBER+SUHNER BMA blind mate connectors open up special dimensions in microwave applications up to 18 GHz. HUBER+SUHNER offers a range of connectors for fixed as well as "floating" configurations with any axial or radial misalignment taken out by the outer contact of the jacks. The BMA series presents an outstanding range of products featuring high reliability and ease of assembly.

## Compatibility

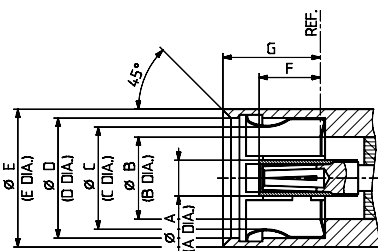
The HUBER+SUHNER range of BMA connectors is inter-mateable with the OSP connector series.

## Interface dimensions (mm/inches)

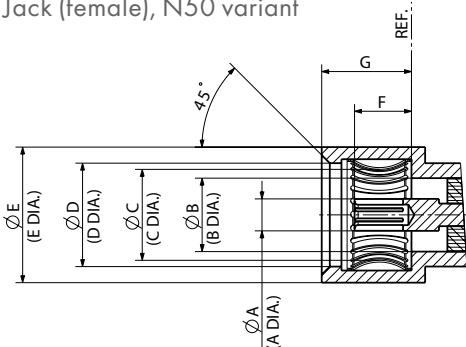
### Plug (male)



### Jack (female), standard variant



### Jack (female), N50 variant



## Content

Description	231
Compatibility	231
Interface dimensions in mm/inches	231
Technical data	232
BMA connector applications	233
Cable connectors	236
Receptacles with solder-in hermetic seal	240
Receptacles with solder end	241
PCB connectors	243

	Plug		Jack	
	min.	max.	min.	max.
A	4.09/0.161 nom.		1.78/ 070 nom.	
B	4.88/0.192 nom.		4.09/ 161 nom.	
C	5.31/0.209	5.35/0.211	-	5.08/0.200
D	7.62/0.300 nom.		5.71/0.225	-
E	5.03/0.198	-	7.37/0.290	-
F	3.25/0.128	-	3.05/0.120	3.23/0.127
G	2.29/0.090 nom.		-	5.03/0.198
H	0.90/0.035	0.94/0.037		
I	1.78/0.070 nom.			

Interface dimensions conformable to the standards:

USA: MIL-STD-348/321

N50 variant is fully intermateable with MIL-STD-348/321.

# Series BMA - technical data

Electrical data	Requirements	
Cable type	0.086" semi-rigid	0.141" semi-rigid
Impedance	50 Ω	
Frequency range	DC to 18 GHz	
Dielectric withstanding voltage (at sea level)	1.0 kV rms, 50 Hz	1.5 kV rms, 50 Hz
Insulation resistance	≥ 5 · 10 <sup>3</sup> MΩ	
Contact resistance	≤ 2 mΩ	
• Centre contact	≤ 2 mΩ	
• Outer contact	≤ 2 mΩ	
RF-testing voltage (at sea level)	670 V rms, 5 MHz	1.0 kV rms, 5 MHz
Admissible power (at sea level and room temperature)	≤ 300 W at 3 GHz	

Mechanical data	Requirements
Engagement force	≤ 13.5 N
Disengagement force	≥ 2 N
Contact captivation	≥ 27 N/6.1 lbs
Cable retention force <sup>1)</sup>	see pages 32 - 37
Durability (matings)	≥ 1000

Environmental data	Requirements
Temperature range	-65 to +125 °C / -85 to +257 °F
Thermal shock	MIL-STD-202, method 107, condition B
Moisture resistance	MIL-STD-202, method 106
Corrosion	saltspray test acc. to MIL-STD-202, method 101, condition B
Vibration	MIL-STD-202, method 204, condition D
Shock	MIL-STD-202, method 213, condition I

Material data		
Connector parts	Material	Plating
Bodies	copper beryllium alloy stainless steel	gold
Pin contacts	copper beryllium alloy	gold
Spring basket	copper beryllium alloy	gold
Springs (floating connectors)	stainless steel	
Insulators	PTFE or PFA	
Gaskets	EPDM, 40 shore A	

Some connectors may have a specification that differs from the above mentioned data.

The products are designed and guaranteed to pass the above mentioned test procedures. Any additional or different requirement arising from specific applications or environmental conditions which is not covered by these test procedures is subject to request.

<sup>1)</sup> Value considers maximum load of the cables without irreversible variations of specifications.

# Series BMA - connector applications

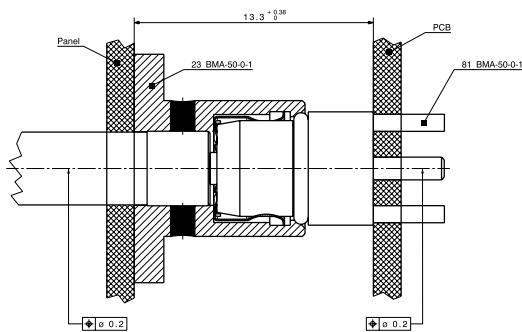
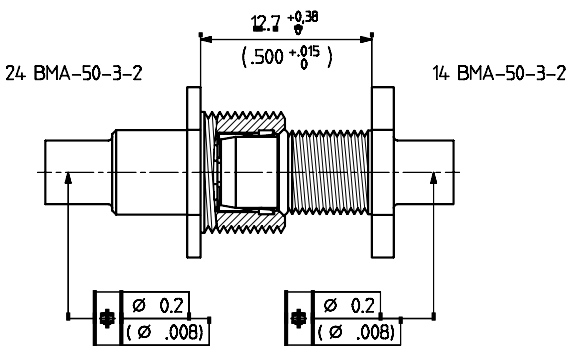
Quick and reliable engagement and disengagement of multiple microwave transmission lines, high packaging density of flexible and rigid coaxial lines and cable free connection of modules to motherboard are some needs of modern microwave systems.

HUBER+SUHNER BMA connectors offer an economical solution for the most demanding interconnector applications found today in civil and military microwave circuits. To help ensure a problem free, reliable long term operation the following guidelines should be used.

## Assembly hints

Radial and axial misalignments can be accommodated with the spring outer contacts of the HUBER+SUHNER BMA connector. These misalignments are due to the build-up of tolerances with the major contributions coming from: axial direction, mounting plate distances and plate distortions. Radial direction: mounting hole positions and concentricity, plate distortion and misalignment. For recommended mounting hole sizes see page 533f.

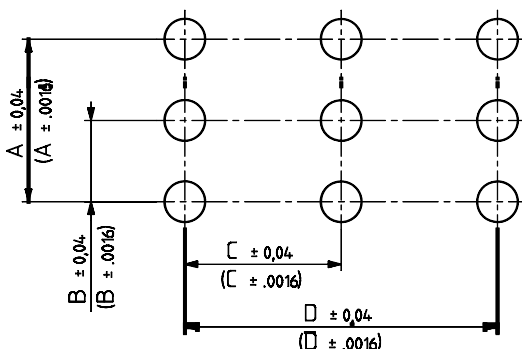
## Rigid mounting (examples)



## Maximum misalignment

Axial: 0.38 mm/0.015 in. <sup>1)</sup>  
 Radial: 0.20 mm/0.008 in.

## Hole dimensions



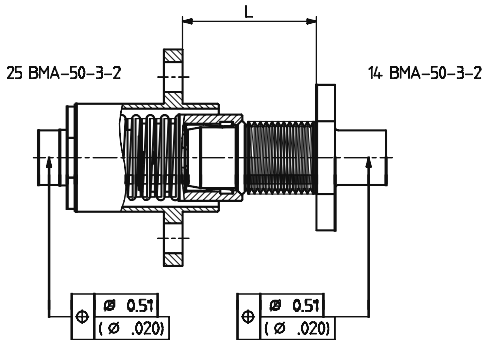
To avoid tolerances build-up all mounting holes must be tolerated from a single datum point.

It is also important that both of the mounting plates are properly affixed and correctly positioned.

<sup>1)</sup> For applications with reduced return loss specifications 0.76 mm/0.030 in. is allowable.

# Series BMA – connector applications

## Float mounting (example)



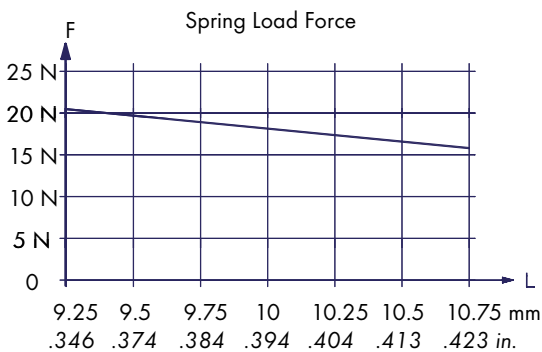
The increased tolerance correction of the connector is achieved by using an extra spring system.

This allows the centre assembly of the connector to move freely within the flange body.

Recommended maximum tolerances:

Axial: 1.52 mm/0.060 in.

Radial: 0.51 mm/0.020 in.



The adjacent diagram shows the relationship between the connector preloading force and the separation distance "L" between the mounting reference planes for a typical connector pair (25\_BMA-50-3-2 and 14 BMA-50-3-2).

To ensure optimum contact under extreme radial misalignment the following points must be considered:

A:  
The maximum misalignment tolerances must not be exceeded. Any possible bending of the mounting plate due to the spring preloading of the individual connectors must be taken into account. If distortion occurs, the following steps should be taken to minimise the effect:

- Re-dimensioning
- Bracing of the mounting plate
- Reduction of maximum connector preloading force which will result in the limitation of length L.

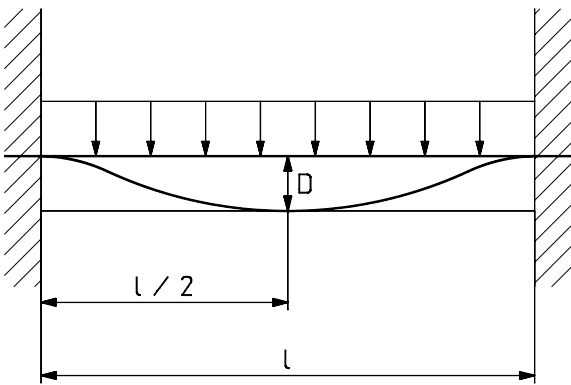
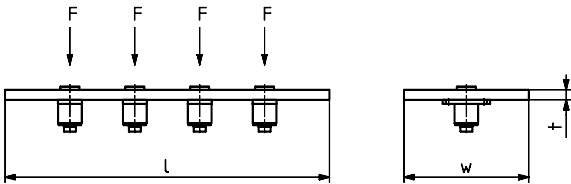
B:  
A minimum preloading force of 16 N must be ensured for each connector pair so that the maximum engaging force will be exceeded. This represents the upper limit of separation. For the example above this is a length L of maximum 10.65 mm/0.419 in.

Data on other connector combinations available on request. For the dimensioning of the holes the same points must be considered as for the rigid mounting.

# Series BMA – connector applications

## Mounting plate bending

For an array of BMA connectors to be mounted on a chassis, the forces on the connectors must be taken into account and in the case of a floating assembly the preloading forces must be considered.



For a simplified calculation the mounting plate can be considered as a beam under deflection, thus the bending is:

Legend:

$$D \text{ deflection} = \frac{n \cdot F \cdot l^3}{384 E \cdot I}$$

E modulus of elasticity  
aluminium:  $E = 70\,000 \text{ N/mm}^2$   
steel:  $E = 210\,000 \text{ N/mm}^2$

F preloading force

$$I \text{ moment of beam} = \frac{w \cdot t^3}{12}$$

l length of panel

n number of connectors

t thickness of panel

w width of panel

Example:

4 connectors of type 25\_BMA-50-3-2 (preloading force  $F = 20 \text{ N}$  each):

$E = 70\,000 \text{ N/mm}^2$  (aluminium chassis)

thickness of panel (t) 2 mm

width of panel (w) 20 mm

length of panel (l) 80 mm

$$I = \frac{20 \text{ mm} \cdot (2 \text{ mm})^3}{12} = 13.33 \text{ mm}^4$$

$$D = \frac{4 \cdot 20 \text{ N} \cdot (80 \text{ mm})^3}{384 \cdot 70\,000 \frac{\text{N}}{\text{mm}^2} \cdot 13.33 \text{ mm}^4} = 0.11 \text{ mm}$$

# Series BMA - cable connectors

## Straight bulkhead cable plugs (male)

For semi-rigid cables

- Cable entry soldered
- Bulkhead mounted, rigid
- Body material: CuBe, gold plated

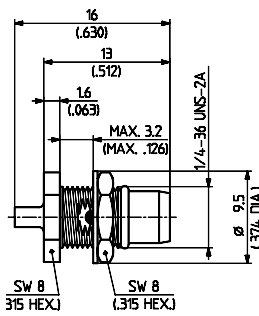


Fig. 1

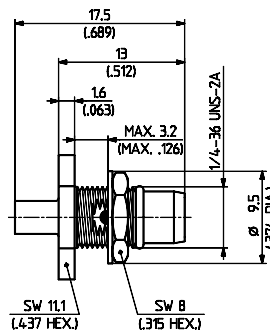


Fig. 2

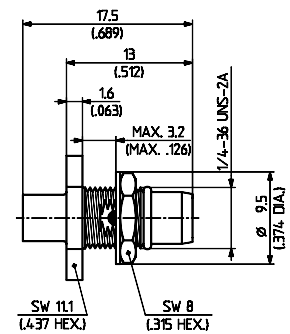


Fig. 3

HUBER+SUHNER type	Item no.	Cable group (example)	Packaging	Assembly instruction	Mounting hole	Fig.
14_BMA-50-1-15/111_NE	22646663	Y2, Y15 (EZ_47)	single	27180	ML 56	1
14_BMA-50-2-2/111_NE	22645600	Y3, Y11, Y16 (EZ_86)		9171		2
14_BMA-50-3-2/111_NE	22645601	Y5, Y12, Y17 (EZ_141)		9171		3

For flexible cables

- Cable entry crimp
- Bulkhead mounted, rigid
- Body material: stainless steel

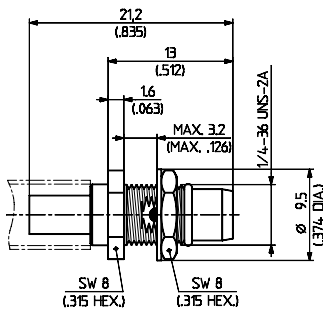


Fig. 1

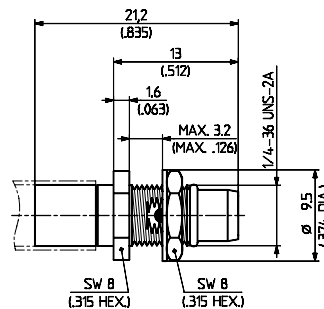


Fig. 2

HUBER+SUHNER type	Item no.	Cable group (example)	Packaging	Assembly instruction	Mounting hole	Crimp insert	Fig.
14_BMA-50-2-3/199_NE	22645614	U2 (RG_316_/U)	single	9172	ML 56	A <sup>1)</sup>	1
14_BMA-50-3-3/199_NE	22645615	U9, U11 (RG_400_/U)		9173		B <sup>2)</sup>	2

<sup>1)</sup> MIL insert M22520/5-03A can also be used

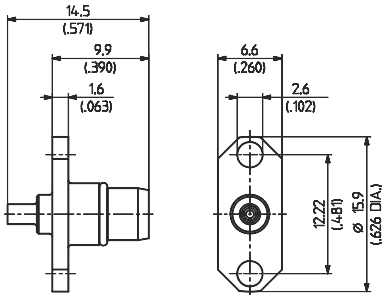
<sup>2)</sup> MIL insert M22520/5-05A can also be used

# Series BMA – cable connectors

## Straight panel cable plug (male)

### For semi-rigid cables

- Cable entry soldered
- 2-hole mounted
- Body material: CuBe, gold plated



HUBER+SUHNER type	Item no.	Cable group (example)	Packaging	Assembly instruction
15_BMA-50-1-15/111_NE	22649704	Y2, Y15 (EZ_47)	single	27180

## Straight bulkhead cable jacks (female)

### For semi-rigid cables

- Cable entry soldered
- Snap-in, floating
- Body material: CuBe, gold plated

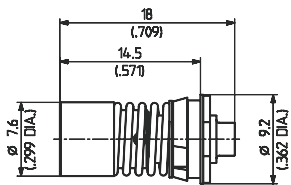


Fig. 1

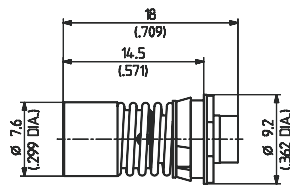


Fig. 2

Connector fixed into mounting panel with snap-in mechanism. Recommended removal tool: 74\_Z-0-0-213

HUBER+SUHNER type	Item no.	Cable group (example)	Packaging	Assembly instruction	Mounting hole	Fig.
24_BMA-N50-2-20/111_NE	84097552	Y3, Y11, Y16 (EZ_86)	single	0000230377	ML 66	1
24_BMA-N50-3-18/111_NE	85018694	Y5, Y12, Y17 (EZ_141)		0000453501		2

It is recommended to use a service loop to facilitate the float features of the connector.

# Series BMA - cable connectors

## Straight bulkhead cable jacks (female)

### For flexible cables

- Cable entry crimp
- Snap-in, floating
- Body material: stainless steel

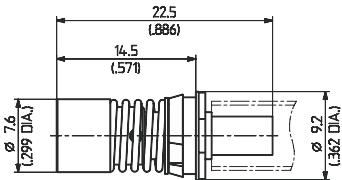


Fig. 1

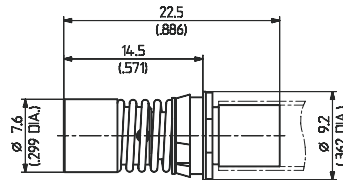


Fig. 2

HUBER+SUHNER type	Item no.	Cable group (example)	Packaging	Assembly instruction	Mounting hole	Crimp insert	Fig.
24_BMA-N50-2-21/119_NE	85018763	U2 (RG_316_/U)	single	0000453588	ML 66	A	1
24_BMA-N50-3-19/119_NE	85018796	U9, U11 (RG_400_/U)		9173		B	2

## Straight panel cable jacks (female)

### For semi-rigid cables

- Cable entry soldered
- Flange mount, floating

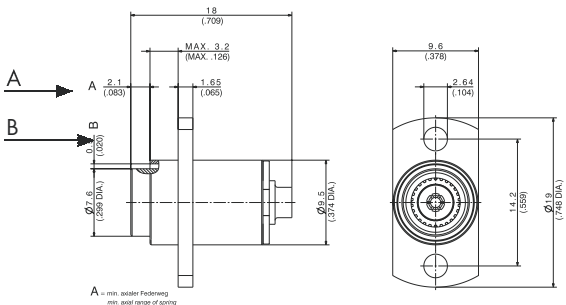


Fig. 1

A = min. 2.1 mm/0.083 in. axial range of spring  
 B = min. 0.5 mm/0.020 in. radial misalignment

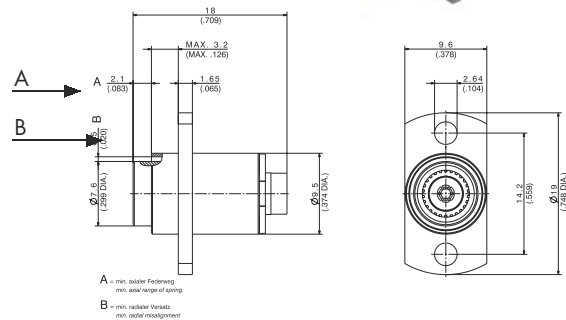


Fig. 2

Outer connector body and flange of stainless steel,  
 inner floating part of gold plated CuBe

HUBER+SUHNER type	Item no.	Cable group (example)	Packaging	Assembly instruction	Mounting hole	Fig.
25_BMA-N50-2-13/119_NE	84145709	Y3, Y11, Y16 (EZ_86)	single	0000230377	ML 58	1
25_BMA-N50-3-7/119_NE	85018698	Y5, Y12, Y17 (EZ_141)		0000453517		2

It is recommended to use a service loop to facilitate the float features of the connector.



# Series BMA - cable connectors

## Straight panel cable jacks (female)

### For flexible cables

- Cable entry crimp
- Flange mount, floating

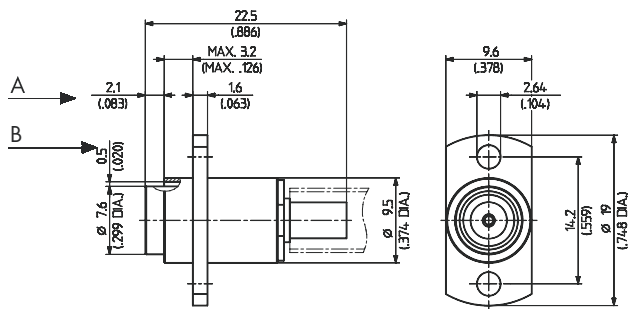


Fig. 1

A = min. 2.1 mm/0.083 in. axial range of spring  
 B = min. 0.5 mm/0.020 in. radial misalignment

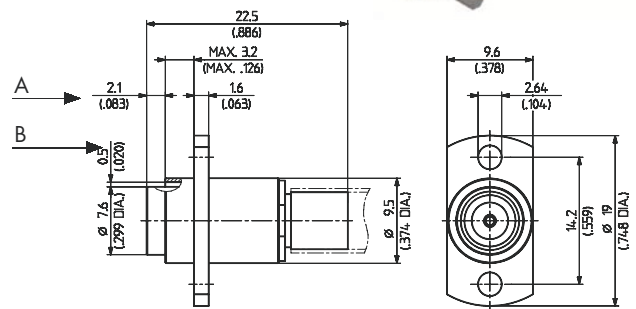


Fig. 2

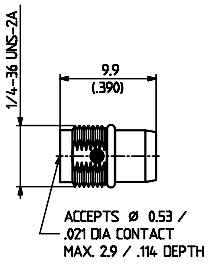
Outer connector body and flange of stainless steel,  
 inner floating part of gold plated CuBe

HUBER+SUHNER type	Item no.	Cable group (example)	Packaging	Assembly instruction	Mounting hole	Crimp insert	Fig.
25_BMA-N50-2-14/119_NE	85018785	U2 (RG_316_/U)	single	0000291185	ML 58	A	1
25_BMA-N50-3-8/119_NE	85018791	U9, U11 (RG_400_/U)		9173		B	2

# Series BMA – receptacles with solder-in hermetic seal

## Receptacle, plug (male)

- Bulkhead mounted
- Threaded installation
- Body material: stainless steel

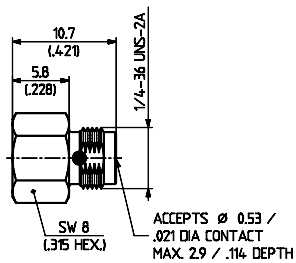


HUBER+SUHNER type	Item no.	Packaging	Mounting hole	Suitable glass-bead
12_BMA-50-0-3/199_NE	22645636	single	ML 61	73_Z-0-0-198 <sup>1)</sup>

Use tool 74\_Z-0-0-215 with torque wrench 74\_Z-0-0-214 for mounting. For fixturing hermetic seal while soldering, fixture 74\_Z-0-0-211 is recommended.

## Receptacle, jack (female)

- Bulkhead mounted
- Threaded installation
- Body material: stainless steel



HUBER+SUHNER type	Item no.	Packaging	Mounting hole	Suitable glass-bead
22_BMA-50-0-3/199_NE	22645637	single	ML 61	73_Z-0-0-198 <sup>1)</sup>

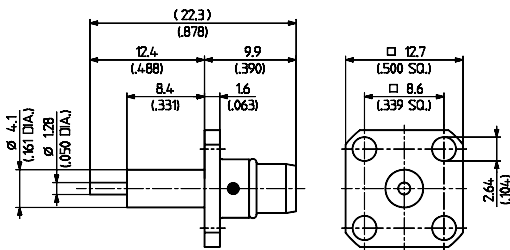
Use tool 74\_Z-0-0-215 with torque wrench 74\_Z-0-0-214 for mounting. For fixturing hermetic seal while soldering, fixture 74\_Z-0-0-211 is recommended.

<sup>1)</sup> See page 531

# Series BMA – receptacles with solder end

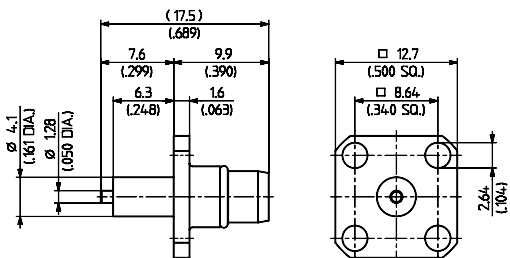
## Receptacles, plugs (male)

- Panel mounted
- Body material: stainless steel



HUBER+SUHNER type	Item no.	Packaging	Flange type	Notes
13_BMA-50-0-1/199_NE	22645622	single	square	with extended dielectric

- Panel mounted
- Body material: stainless steel

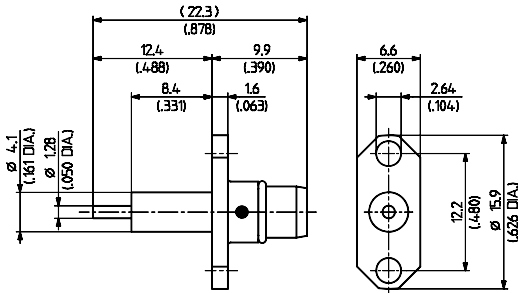


HUBER+SUHNER type	Item no.	Packaging	Flange type	Notes
13_BMA-50-0-13/199_NE	22660107	single	square	with extended dielectric

# Series BMA – receptacles with solder end

## Receptacle, plug (male)

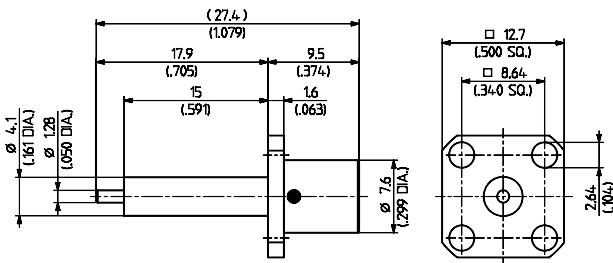
- Panel mounted
- Body material: stainless steel



HUBER+SUHNER type	Item no.	Packaging	Flange type	Notes
13_BMA-50-0-2/199_NE	22645623	single	2-hole	with extended dielectric

## Receptacles, jack (female)

- Panel mounted
- Body material: stainless steel

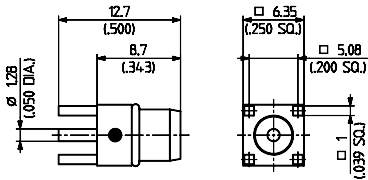


HUBER+SUHNER type	Item no.	Packaging	Flange type	Notes
23_BMA-50-0-1/119_NE	22645624	single	square	with extended dielectric

# Series BMA – PCB connectors

## Straight PCB plug (male)

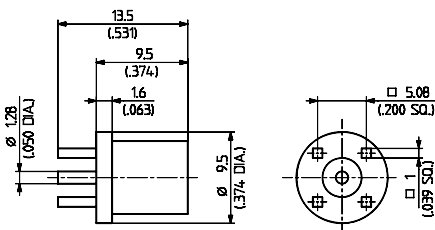
- Body material: CuBe, gold plated



HUBER+SUHNER type	Item no.	Packaging	Flange type
81_BMA-50-0-1/111_NE	22645630	single	ML 41

## Straight PCB jack (female)

- Body material: CuBe, gold plated



HUBER+SUHNER type	Item no.	Packaging	Flange type
82_BMA-50-0-1/111_NE	22645631	single	ML 41