

Series UHF - coaxial connectors

Description

UHF connectors do not have defined impedance. They are intended for applications up to 200 MHz where mechanically robust connectors are required. They are mateable with 4 mm banana plugs.

Content

Description	401
Applications	401
Technical data	402
Cable connectors	403
Receptacles	404

Applications

- Signal transmission at lower frequency
- Antennas
- CB radio

Interface dimensions conformable to IEC 60169-12.



UHF

Series UHF – technical data

Electrical data	Requirements
Impedance	not defined
Frequency range	DC to 200 MHz
Dielectric withstanding voltage (at sea level)	2 kV rms, 50 Hz
Working voltage (at sea level)	≤ 750 V rms, 50 Hz
Insulation resistance	≥ 5 · 10 ³ MΩ
Contact resistance	
• Centre contact	≤ 5 mΩ
• Outer contact	≤ 5 mΩ

Mechanical data	Requirements
Durability (matings)	≥ 500

Environmental data	Requirements
Temperature range	–55 to +165 °C (PTFE) –25 to +100 °C (PP)
Corrosion	salt spray test acc. to MIL-STD-202, method 101, condition B

Material data		
Connector parts	Material	Plating
Bodies	brass	nickel/SUCOPLATE®
Centre contacts	brass	silver
Outer contacts	brass	nickel/SUCOPLATE®
Insulators	PTFE PP Polypropylene	
Crimp ferrules	copper	nickel/SUCOPLATE®

Some connectors may have a specification that differs from the above mentioned data.

The products are designed and guaranteed to pass the above mentioned test procedures. Any additional or different requirement arising from specific applications or environmental conditions which is not covered by these test procedures is subject to request.

Series UHF - cable connectors

Straight cable plugs (male)

For flexible cables

- HUBER+SUHNER full crimp
- Taper sleeves see page 526

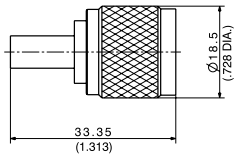


Fig. 1

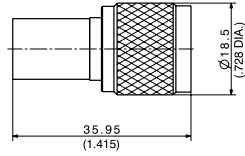


Fig. 2



HUBER+SUHNER type	Item no.	Cable group (example)	Packaging	Assembly instruction	Crimp insert	Fig.
11_UHF-0-3-17/033_-E	22542678	U7 (RG_58_C/U)	single	3075	2 B	1
11_UHF-0-3-18/033_-E	22542679	U9 (RG_223_/U)			2 B	1
11_UHF-0-7-17/033_-E	22542744	U29 (RG_213_/U)			3 D	2
11_UHF-0-7-18/033_-E	22542745	U32 (RG_214_/U)			3D	2

Right angle cable plugs (male)

For flexible cables

- Cable entry crimp
- Centre contact soldered
- Taper sleeves see page 526

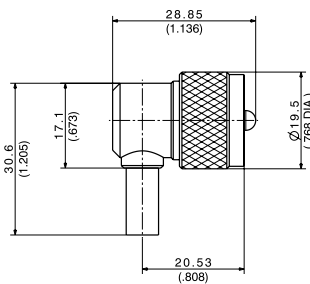


Fig. 1

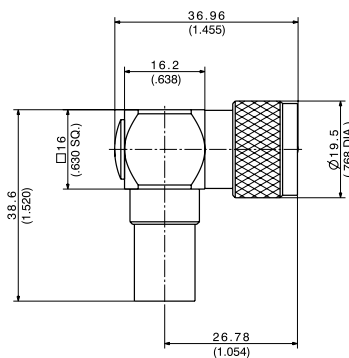


Fig. 2



HUBER+SUHNER type	Item no.	Cable group (example)	Packaging	Assembly instruction	Crimp insert	Fig.
16_UHF-0-3-4/023_-E	22542757	U7 (RG_58_C/U)	single	3058	B	1
16_UHF-0-7-4/023_-E	22542766	U29 (RG_213_/U)		3076	D	2

Series UHF - cable connectors

Straight cable jacks (female)

For flexible cables

- HUBER+SUHNER full crimp
- Taper sleeves see page 526

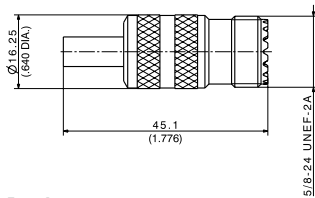


Fig. 1

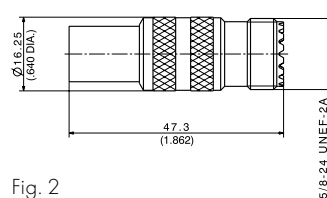


Fig. 2



HUBER+SUHNER type	Item no.	Cable group (example)	Packaging	Assembly instruction	Crimp insert	Fig.
21_UHF-0-3-3/033_E	22542770	U7 (RG_58_C/U)	single	3075	2 B	1
21_UHF-0-7-4/033_E	22542775	U29 (RG_213_/U)			3 D	2

Series UHF - receptacles

Receptacles, jacks (female)

- With solder end

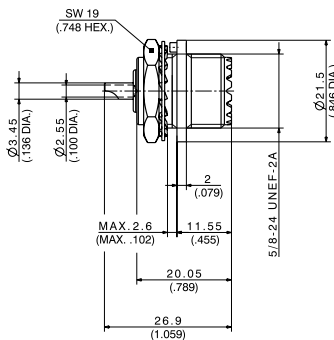


Fig. 1

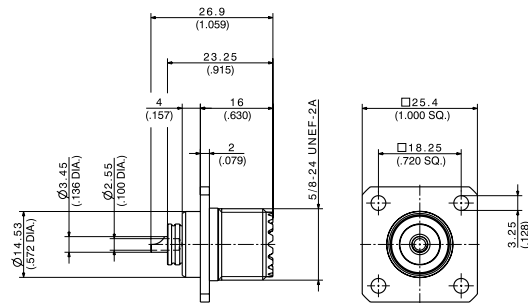


Fig. 2



HUBER+SUHNER type	Item no.	Packaging	Mounting hole	Fig.	Notes
22_UHF-0-0-1/033_NE	22542779	single	ML 178	1	bulkhead mounted
23_UHF-0-0-2/033_NE	22542788		ML 48	2	panel mounted (4-hole)