

Series N 50 Ω – coaxial connectors

Description

HUBER+SUHNER N connectors are available with 50 Ω and 75 Ω impedance. The frequency range extends to 18 GHz, depending on the connector and cable type. The screw-type coupling mechanism provides a sturdy and reliable connection.

HUBER+SUHNER N connectors are available for flexible cables, for semi-rigid cables and for corrugated copper tube cables.

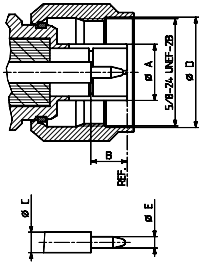
Cable entries: clamp, crimp and solder types available, as well as HUBER+SUHNER Quick-Fit for corrugated copper tube cables.

Compatibility

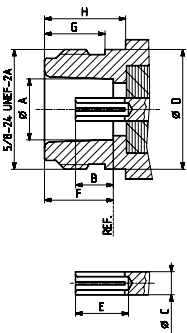
Inner conductors of N 75 Ω connectors have a smaller diameter than those of the 50 Ω version. Therefore 50 Ω and 75 Ω connectors must not be mated with each other.

Interface dimensions (mm/inches)

Plug (male)



Jack (female)



Content

Description	365
Compatibility	365
Interface dimensions in mm/inches	365
Technical data	366
Cable connectors	369
Receptacles with solder end	388
Stripline launchers	392
Protective caps	393

	Plug		Jack	
	min.	max.	min.	max.
A	-	8.38/0.330	8.03/0.316	8.13/0.320
B	5.33/0.210	5.84/0.230	4.75/0.187	5.26/0.207
C	-	3.15/0.124	-	3.15/0.124
D	16.00/0.630	-	-	15.93/0.627
E	1.60/0.063	1.68/0.066	5.33/0.210	-
F	-	-	9.04/0.356	9.19/0.362
G	-	-	6.76/0.266	-
H	-	-	10.72/0.422	-

Interface dimensions conformable to the standards:

International:	IEC 61169-16
Europe:	CECC 22 210
USA:	MIL-STD-348/304

IP rating (interface, mated) IP68

Series N 50 Ω - technical data

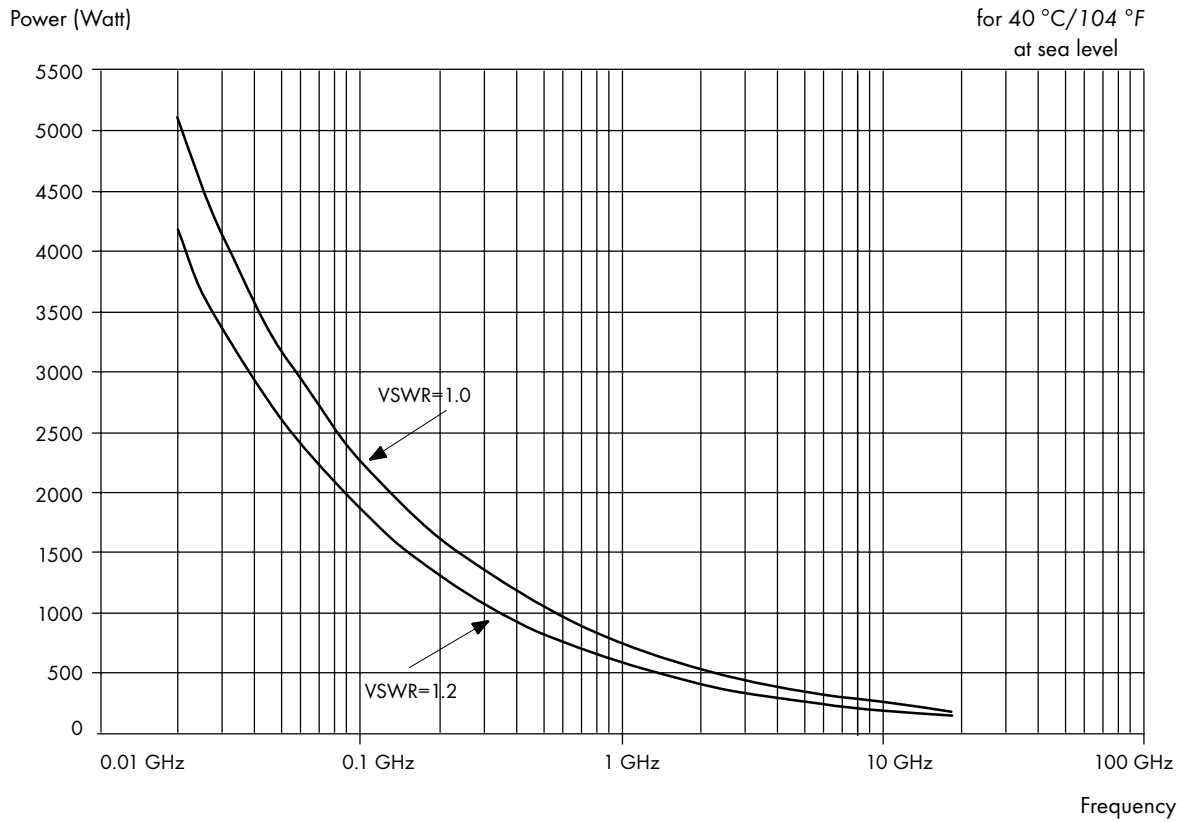
Electrical data	Requirements
Impedance	50 Ω
Frequency range <ul style="list-style-type: none"> • Flexible cables • Semi-rigid cables 	DC to 11 GHz DC to 18 GHz
Dielectric withstanding voltage (at sea level)	2.5 kV rms, 50 Hz
Working voltage (at sea level)	≤ 1.0 kV rms, 50 Hz
Insulation resistance	≥ 5 · 10 ³ MΩ
Contact resistance <ul style="list-style-type: none"> • Centre contact • Outer contact 	≤ 1.0 mΩ ≤ 1.0 mΩ
RF leakage (between 2 and 3 GHz)	≥ 90 dB
VSWR	see table below

Typical VSWR ¹⁾	Frequency range					Cable group
	1 GHz	2.5 GHz	5 GHz	12.4 GHz	18 GHz	
Connector type						
Straight connectors	1.04	1.05	1.08			M6
	1.03	1.04	1.06	1.12		Y5, Y12
	1.03	1.04	1.05	1.07	1.09	Y5, Y12
	1.03	1.04	1.05	1.08	1.12	Y7
	1.05	1.09	1.17			U7, U9
	1.04	1.06	1.12			U28, U29, U32, U33
	1.03	1.05	1.14			S24
	1.03	1.05	1.10			S39
Right angle connectors	1.04	1.05	1.08			M6
	1.04	1.05	1.06	1.12		Y5, Y12
	1.05	1.10	1.20			U7, U9
	1.08	1.10	1.12			U28, U29, U32, U33

¹⁾ Values which can be achieved when connectors are perfectly fixed onto cable.

Series N 50 Ω – technical data

Admissible power of N connectors



Mechanical data	Requirements
Coupling nut torque • Recommended	0.68 to 1.13 Nm/6.0 to 10.0 in lbs
Coupling nut retention force	≥ 450 N/101.2 lbs
Contact captivation	≥ 28 N/6.3 lbs
Cable retention force ¹⁾	see pages 32 - 37
Durability (matings)	≥ 500

¹⁾ Value considers maximum load of the cables without irreversible variations of specifications.

Series N 50 Ω – technical data

Environmental data	Requirements
Temperature range	–65 to +165 °C/–85 to +329 °F
Climatic category	IEC → 55/155/21
Thermal shock	MIL-STD-202, method 107, condition B
Moisture resistance	MIL-STD-202, method 106
Corrosion	saltspray test acc. to MIL-STD-202, method 101, condition B
Vibration	MIL-STD-202, method 204, condition B
Shock	MIL-STD-202, method 213, condition G

Material data		
Connector parts	Material	Plating
Bodies	brass	SUCOPLATE®
Pin contacts	brass	gold/SUCOPRO® gold plating
Outer contact, slotted	spring bronze	SUCOPLATE®
Female contacts	copper beryllium alloy, spring bronze	gold/SUCOPRO® gold plating
Crimp ferrules	copper	SUCOPLATE®
Insulators, standard version	PTFE or PFA	
Gaskets	silicone rubber	

Some connectors may have a specification that differs from the above mentioned data.

The products are designed and guaranteed to pass the above mentioned test procedures. Any additional or different requirement arising from specific applications or environmental conditions which is not covered by these test procedures is subject to request.

Series N 50 Ω – cable connectors

Straight cable plugs (male)

For semi-rigid cables

- Cable entry soldered
- Centre contact soldered

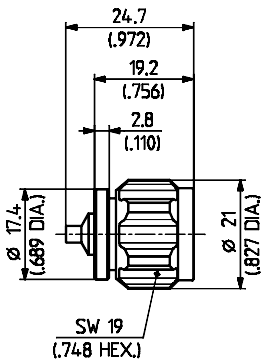


Fig. 1

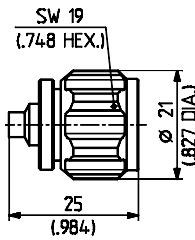
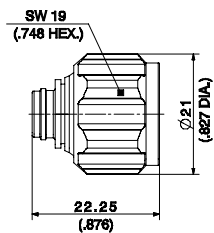


Fig. 2

HUBER+SUHNER type	Item no.	Cable group	Packaging	Assembly instruction	Weight	Fig.
11_N-50-2-15/113_UE	22660315	Y3, Y11, Y16 (EZ_86)	single	3095	25.6 g/0.90 oz.	1
11_N-50-3-13/113_NE	22542083	Y5, Y12, Y17 (EZ_141)			29.0 g/1.02 oz.	2

For Sucoform cables

- Cable entry soldered
- Centre contact soldered



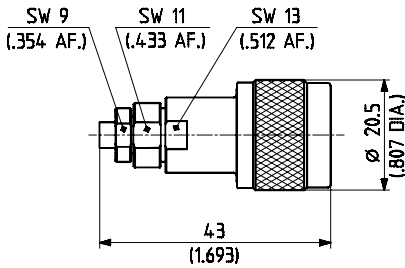
HUBER+SUHNER type	Item no.	Cable group	Packaging	Assembly instruction	Weight	Fig.
11_N-50-5-18/103_NH	84008445	Y7, Y13, Y14 (SUCOFORM_250-01)	bulk 100 pcs.	0000215552	21.9 g/0.77 oz.	1

Series N 50 Ω - cable connectors

Straight cable plugs (male)

For semi-rigid cables

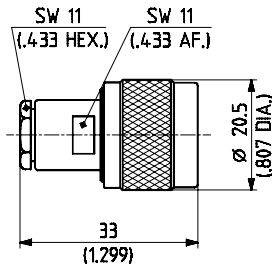
- Cable entry soldered
- Centre contact plugged-in
- Frequency range: DC to 18 GHz



HUBER+SUHNER type	Item no.	Cable group	Packaging	Assembly instruction	Weight
11_N-50-3-51/133_NE	22543919	Y5, 12 (EZ_141)	single	9006	43.0 g/1.51 oz. ¹⁾

For flexible cables

- Cable entry clamp
- Centre contact soldered



HUBER+SUHNER type	Item no.	Cable group	Packaging	Assembly instruction	Weight
11_N-50-2-1/133_NE	22544030	U2, X3 (RG_316_/U)	single	3017	38.0 g/1.33 oz.
11_N-50-2-2/133_NE	22643807	U4 (K_02252_D)			38.0 g/1.33 oz.
11_N-50-3-5/133_NE	22542073	U7, U9, U11, X25 (RG_58_C/U)			36.0 g/1.26 oz.

¹⁾ Stainless steel

Series N 50 Ω – cable connectors

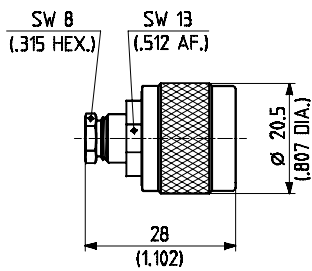
Straight cable plugs (male)

Precision connector – low VSWR

For flexible cables

- Cable entry clamp
- Centre contact soldered
- VSWR:

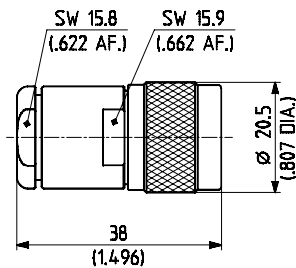
DC to 4 GHz	4 to 10 GHz	10 to 12.4 GHz
≤ 1.10	≤ 1.20	≤ 1.25



HUBER+SUHNER type	Item no.	Cable group	Packaging	Assembly instruction	Weight
11_N-50-3-54/133_NE	22642009	U9, U11, X25 (RG_223_/U)	single	9099	32.0 g/1.12 oz.

For flexible cables

- Cable entry clamp
- Centre contact soldered



HUBER+SUHNER type	Item no.	Cable group	Packaging	Assembly instruction	Weight
11_N-50-7-5/133_NE ¹⁾	22542117	U29, U32, X11 (RG_214_U)	single	3007	51.0 g/1.79 oz.
11_N-50-7-6/133_NE	22542120			3008	51.0 g/1.79 oz.
11_N-50-7-82/133_NE ²⁾	84081597	U30 (SPUMA_400)		253737	55.0 g/1.94 oz.

¹⁾ Centre contact NOT captivated

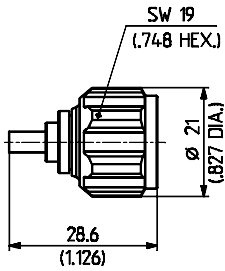
²⁾ Centre contact plugged

Series N 50 Ω – cable connectors

Straight cable plugs (male)

For flexible cables

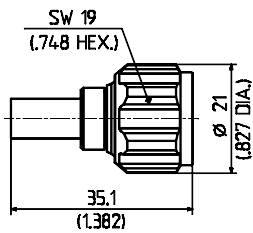
- HUBER+SUHNER full crimp
- Taper sleeves see page 526



HUBER+SUHNER type	Item no.	Cable group	Packaging	Assembly instruction	Crimp insert	Weight
11_N-50-2-11/133_NH	22658813	U2 (RG_316_U)	bulk 100 pcs.	9068	1 A	26.5 g/0.93 oz.
11_N-50-2-16/133_NE	23014128	U4 (K_02252_D)	single			25.4 g/0.89 oz.

For flexible cables

- HUBER+SUHNER full crimp
- Taper sleeves see page 526



HUBER+SUHNER type	Item no.	Cable group	Packaging	Assembly instruction	Crimp insert	Weight
11_N-50-3-28/133_NE	22642842	U7 (RG_58_C/U)	single	3015	2 B	23.0 g/0.81 oz.
11_N-50-3-29/133_NE	22642843	U9, U39 (RG_223_U)	single	3015	2 B	23.0 g/0.81 oz.
11_N-50-3-31/133_NE	22648829	U11, U41 (RG_400_U)	single	3015	2 B	28.0 g/0.98 oz.
11_N-50-3-31/133_NH	22650658		bulk 100 pcs.			
11_N-50-4-63/133_NE	22652069	S16 (S_04262_D-09)	single	3015	2 C	27.3 g/0.96 oz.

Series N 50 Ω - cable connectors

Straight cable plugs (male)

For flexible cables

- Cable entry crimp
- Centre contact plugged-in
- Taper sleeves see page 526

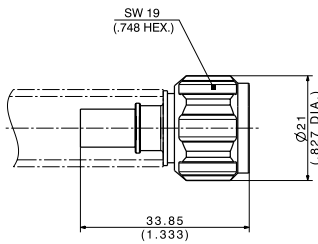


Fig. 1

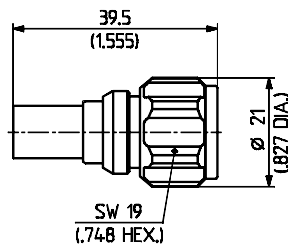


Fig. 2

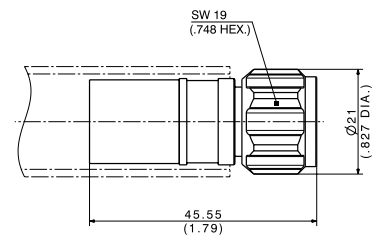


Fig. 3

HUBER+SUHNER type	Item no.	Cable group	Packaging	Assembly instruction	Crimp insert	Weight	Fig.
11_N-50-4-11/133_NH	84110 888	X28 (SPUMA_240)	bulk 100 pcs.	291824	6.50	24.3 g/0.86 oz.	1
11_N-50-6-10/133_NH	22660330	S24 (S_06162_D-03)	bulk 100 pcs.	270891	8.65	29.5 g/1.03 oz.	2
11_N-50-12-20/033_E	85009711	X29 (SPUMA_600)	single	420913	14.5	39.0 g/1.37 oz.	3

For flexible cables

- HUBER+SUHNER full crimp
- Taper sleeves see page 526

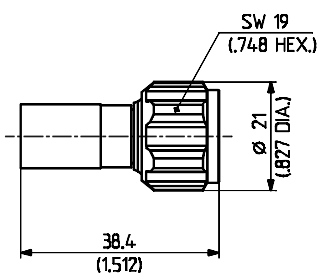


Fig. 1

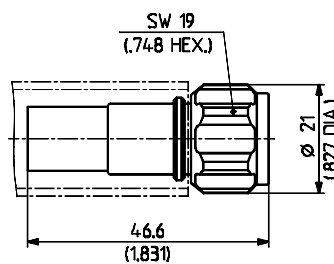


Fig. 2

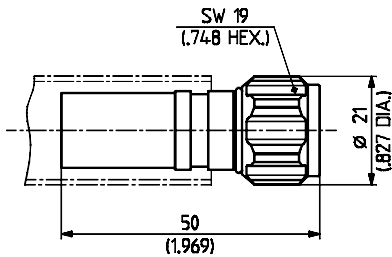
HUBER+SUHNER type	Item no.	Cable group	Packaging	Assembly instruction	Crimp insert	Weight	Fig.
11_N-50-7-43/133_NE	22642844	U29, U42 (RG_213_/U)	single	3061	3 D	28.0 g/0.98 oz.	1
11_N-50-7-44/133_NE	22642845	U32, U43 (RG_214_/U)		3061	3 D	28.0 g/0.98 oz.	1
11_N-50-7-49/133_NE	22652111	S32 (S_07262_BD)		9067	4 D	40.0 g/1.40 oz.	2
11_N-50-7-61/133_NE	22651793	U33 (RG_393_/U)		27070	2.5 D	28.5 g/1.00 oz.	1
11_N-50-7-69/133_NE	22660143	U30 (SPUMA_400)		311731	4 D	35.0 g/1.23 oz.	2

Series N 50 Ω - cable connectors

Straight cable plugs (male)

For flexible cables

- Cable entry crimp
- Centre contact plugged-in
- Degree of protection IP67

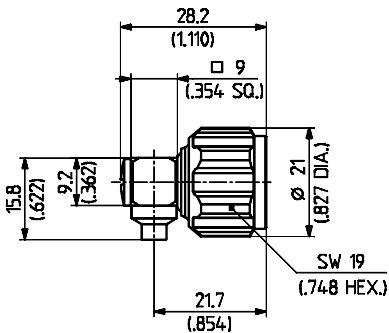


HUBER+SUHNER type	Item no.	Cable group	Packaging	Assembly instruction	Crimp insert	Weight
11_N-50-10-5/103_UV	23002543	S39 (S_10162_B-11)	bulk 20 pcs.	27356	12.4	37.8 g/1.32 oz.

Right angle cable plugs (male)

For semi-rigid cables

- Cable entry soldered
- Centre contact soldered



HUBER+SUHNER type	Item no.	Cable group	Packaging	Assembly instruction	Weight
16_N-50-3-15/133_NE	22648832	Y5, Y12, Y17 (EZ_141)	single	9200	29.1 g/1.02 oz.

Series N 50 Ω - cable connectors

Right angle cable plugs (male)

For flexible cables

- Cable entry clamp
- Centre contact soldered

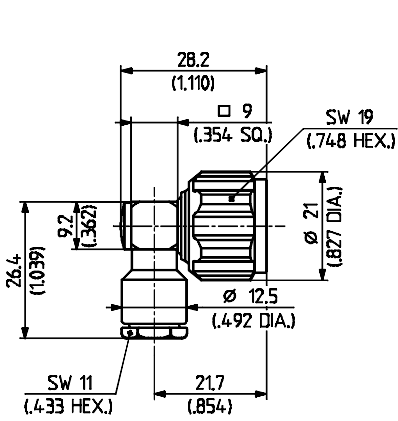


Fig. 1

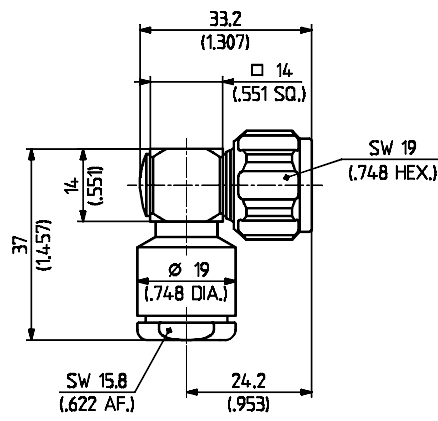


Fig. 2

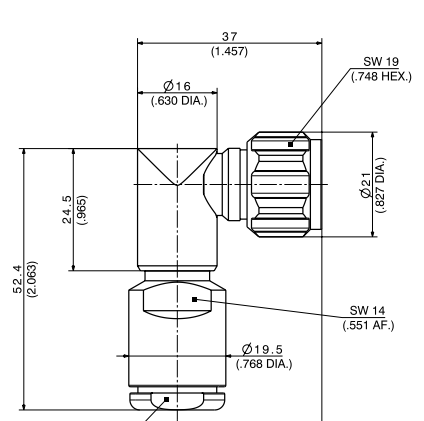


Fig. 3

HUBER+SUHNER type	Item no.	Cable group	Packaging	Assembly instruction	Weight	Fig.
16_N-50-3-103/133_NE	22651610	U7, U9, U11 (RG_223_/U)	single	27060	37.0 g/1.30 oz.	1
16_N-50-7-26/133_NE	22650825	U29, U32 (RG_214_/U)		27121	65.0 g/2.28 oz.	2
16_N-50-7-50/133_NE ¹⁾	84082125	U30 (SPUMA_400)		253737	87.0 g/3.07 oz.	3

¹⁾ Centre contact plugged

Series N 50 Ω - cable connectors

Right angle cable plugs (male)

For flexible cables

- Cable entry crimp
- Centre contact soldered
- Taper sleeves see page 526

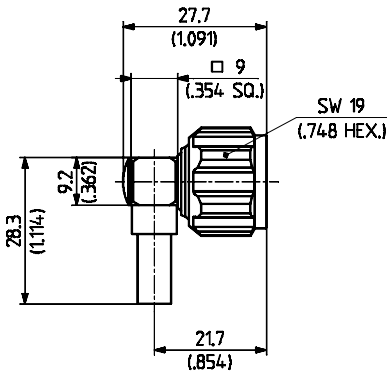


Fig. 1

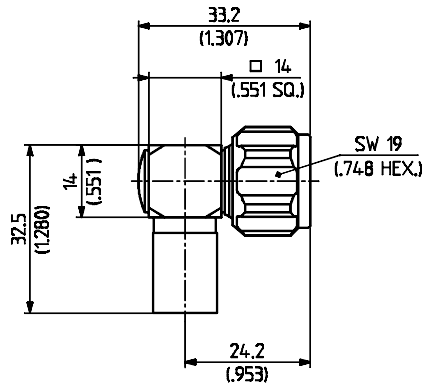
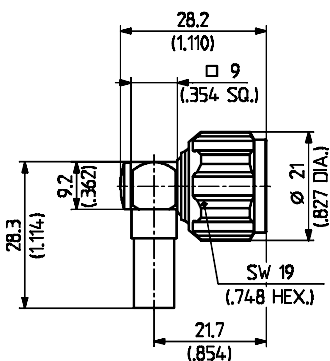


Fig. 2

HUBER+SUHNER type	Item no.	Cable group	Packaging	Assembly instruction	Crimp insert	Weight	Fig.
16_N-50-3-26/133_NE	22642846	U7 (RG_58_C/U)	single	3058	B	27.0 g/0.95 oz.	1
16_N-50-3-27/133_NE 16_N-50-3-27/133_NH	22642847 22650168	U9, U11, U39 (RG_223_/U)	single bulk 100 pcs.	3058	B	27.0 g/0.95 oz.	
16_N-50-7-30/133_NE	22642848	U29 (RG_213_/U)	single	3076	D	42.0 g/1.47 oz.	2
16_N-50-7-31/133_NE	22642849	U32 (RG_214_/U)		3076	D	42.0 g/1.47 oz.	

For flexible cables

- Cable entry crimp
- Centre contact soldered
- Taper sleeves see page 526



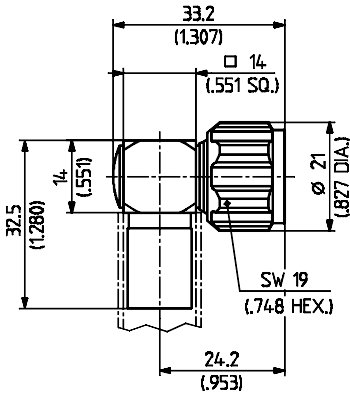
HUBER+SUHNER type	Item no.	Cable group	Packaging	Assembly instruction	Crimp insert	Weight
16_N-50-4-14/133_NE	23015067	S16 (S_04262_D-09)	single	3058	C	31.7 g/1.11 oz.

Series N 50 Ω - cable connectors

Right angle cable plugs (male)

For flexible cables

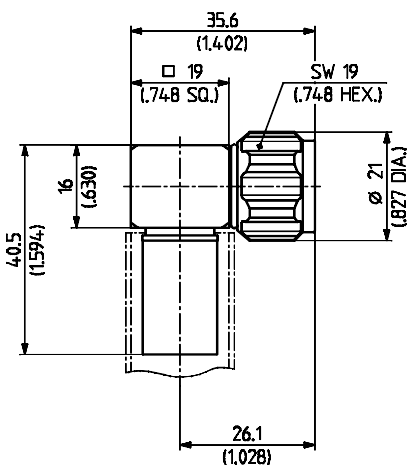
- Cable entry crimp
- Centre contact soldered
- Taper sleeves see page 526



HUBER+SUHNER type	Item no.	Cable group	Packaging	Assembly instruction	Crimp insert	Weight
16_N-50-7-22/133_NE	22651794	S32 (S_07262_BD)	single	9094	D	50.0 g/1.75 oz.

For flexible cables

- Cable entry crimp
- Centre contact soldered
- Degree of protection IP67
- Taper sleeves see page 526



HUBER+SUHNER type	Item no.	Cable group	Packaging	Assembly instruction	Crimp insert	Weight
16_N-50-10-1/103_UV	23002552	S39 (S_10162_B-11)	bulk 20 pcs.	27357	12.4	50.0 g/1.75 oz. ¹⁾

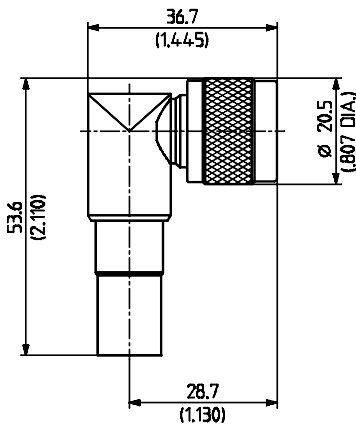
¹⁾ Centre contact not nickel underplated

Series N 50 Ω - cable connectors

Right angle cable plugs (male)

For flexible cables

- HUBER+SUHNER full crimp
- Taper sleeves see page 526

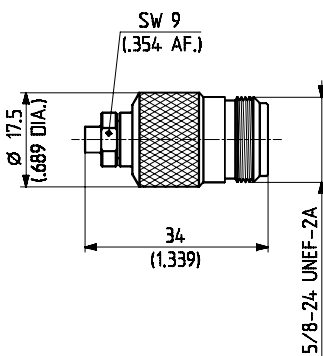


HUBER+SUHNER type	Item no.	Cable group	Packaging	Assembly instruction	Crimp insert	Weight
16_N-50-7-28/133_NE	22652040	U33 (RG_393_/U)	single	27064	4 D	63.6 g/2.23 oz.
16_N-50-7-29/133_NE	22651494	U29, U42 (RG_213_/U)		9009	3 D	65.0 g/2.28 oz.
16_N-50-7-36/133_NE	22651495	U32, U43 (RG_214_/U)		9009	3 D	66.0 g/2.31 oz.

Straight cable jacks (female)

For semi-rigid cables

- Cable entry soldered
- Centre contact soldered



HUBER+SUHNER type	Item no.	Cable group	Packaging	Assembly instruction	Frequency range (GHz)	Weight
21_N-50-2-14/133_NE ¹⁾	22642666	Y3, Y11, Y16 (EZ_86)	single	9073	DC to 18	38.0 g/1.33 oz.
21_N-50-3-11/133_NE ¹⁾	22543921	Y5, Y12, Y17 (EZ_141)		9005	DC to 18	38.0 g/1.33 oz.

¹⁾ Centre contact not nickel underplated

Series N 50 Ω - cable connectors

Straight cable jacks (female)

For flexible cables

- Cable entry clamp
- Centre contact soldered

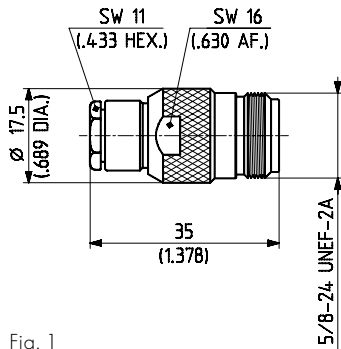


Fig. 1

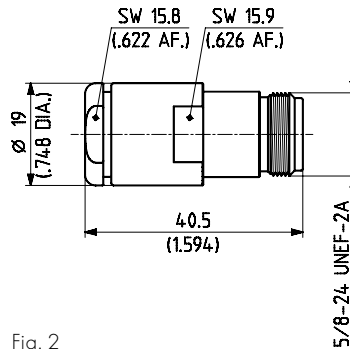


Fig. 2

HUBER+SUHNER type	Item no.	Cable group	Packaging	Assembly instruction	Weight	Fig.
21_N-50-3-5/133_NE	22543504	U7, U9, U11 (RG_223_/U)	single	3017	38.0 g/1.33 oz.	1
21_N-50-7-8/133_NE	22542254	U29, U32, X11 (RG_213_/U)		3008	50.0 g/1.75 oz.	2

For flexible cables

- HUBER+SUHNER full crimp
- Taper sleeves see page 526

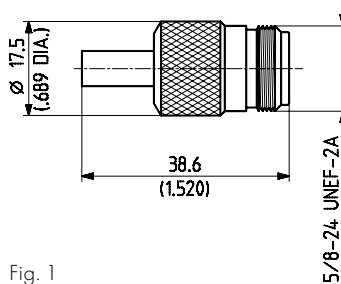


Fig. 1

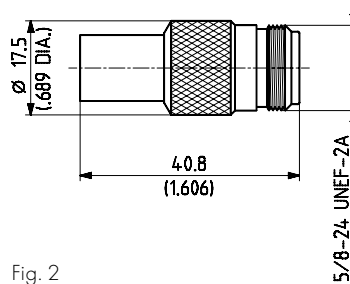


Fig. 2

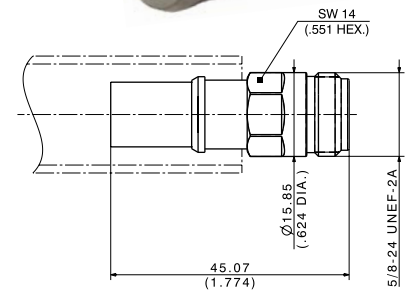


Fig. 3

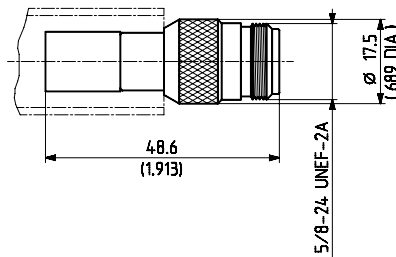
HUBER+SUHNER type	Item no.	Cable group	Packaging	Assembly instruction	Crimp insert	Weight	Fig.
21_N-50-3-7/133_NE	22542229	U7 (RG_58_C/U)	single	3063	2 B	36.0 g/1.26 oz.	1
21_N-50-3-8/133_NE	22542231	U9, U39 (RG_223_/U)		3063	2 B	36.0 g/1.26 oz.	1
21_N-50-3-12/133_NE	22651795	U11, U41 (RG_400_/U)		3063	2 B	35.0 g/1.23 oz.	1
21_N-50-7-13/133_NE	22542257	U29, U42 (RG_213_/U)		3061	3 D	38.0 g/1.33 oz.	2
21_N-50-7-14/133_NE	22542258	U32, U43 (RG_214_/U)		3061	3 D	37.0 g/1.30 oz.	2
21_N-50-7-32/133_NE	84119763	U30 (SPUMA_400)		344575	4 D	31.5 g/1.11 oz.	3

Series N 50 Ω - cable connectors

Straight cable jacks (female)

For flexible cables

- HUBER+SUHNER full crimp
- Taper sleeves see page 526
- Degree of protection IP66



HUBER+SUHNER type	Item no.	Cable group	Packaging	Assembly instruction	Crimp insert	Weight
21_N-50-7-20/133_NE	22651796	S32 (S_07262_BD)	single	9067	4 D	37.0 g/1.30 oz.

For flexible cables

- Cable entry crimp
- Centre contact plugged-in
- Degree of protection IP67

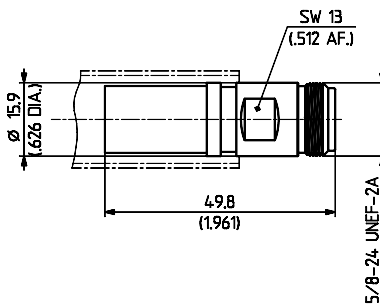
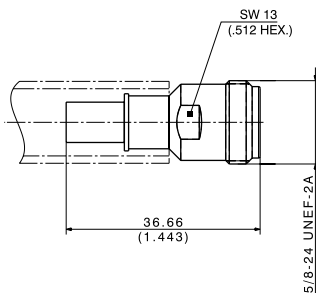


Fig. 2

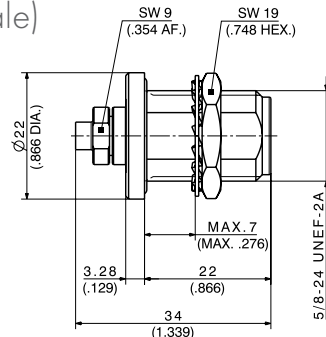
Fig. 1

HUBER+SUHNER type	Item no.	Cable group	Packaging	Assembly instruction	Crimp insert	Weight	Fig.
21_N-50-4-6/133_NH	84110983	S28 (SPUMA_240)	bulk 100 pcs.	291867	6.5	22.8 g/0.8 oz.	1
21_N-50-10-1/133_UF ¹⁾	23003072	S39 (S_10162_B-11)	bulk 50 pcs.	27356	12.4	38.1 g/1.33 oz.	2

Straight bulkhead cable jacks (female)

For semi-rigid cables

- Cable entry soldered
- Centre contact soldered
- Mounting hole M12
- With panel seal
- Insulating washers see page 528



HUBER+SUHNER type	Item no.	Cable group	Packaging	Assembly instruction	Frequency range (GHz)	Weight
24_N-50-2-14/133_NE	22544637	Y3, Y11, Y16 (EZ_86)	single	9073	DC to 12.4	39.0 g/1.37 oz.
24_N-50-3-14/133_NE	22542300	Y5, Y12, Y17 (EZ_141)		9005	DC to 12.4	39.0 g/1.37 oz.

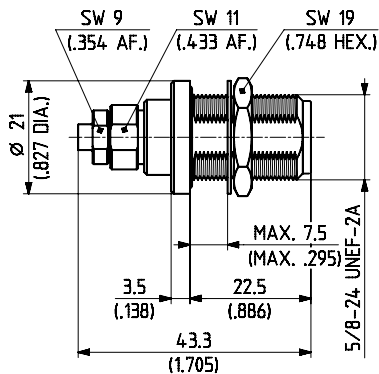
¹⁾ Centre contact not nickel underplated

Series N 50 Ω – cable connectors

Straight cable jacks (female)

For semi-rigid cables

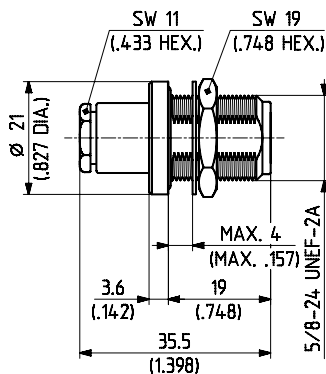
- Cable entry soldered
- Centre contact plugged-in
- Body material: stainless steel
- Mounting hole ML 12
- With panel seal
- Insulating washers see page 528



HUBER+SUHNER type	Item no.	Cable group	Packaging	Assembly instruction	Frequency range (GHz)	Weight
24_N-50-3-51/19_NE	22642344	Y5, Y12 (EZ_141)	single	9006	DC to 18	45.0 g/1.58 oz.

For flexible cables

- Cable entry clamp
- Centre contact soldered
- With panel seal
- Insulating washers see page 528



HUBER+SUHNER type	Item no.	Cable group	Packaging	Assembly instruction	Mounting hole	Weight
24_N-50-2-1/133_NE	22641239	U2, X3 (RG_316_/U)	single	9150	ML 12	42.0 g/1.47 oz.

Series N 50 Ω - cable connectors

Straight bulkhead cable jacks (female)

For flexible cables

- Cable entry clamp
- Centre contact soldered
- With panel seal
- Insulating washers see page 528

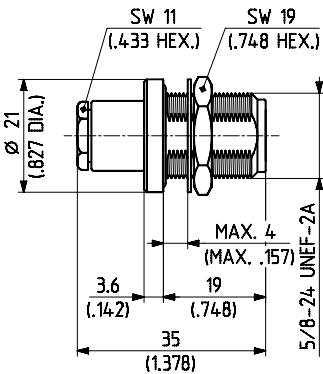


Fig. 1

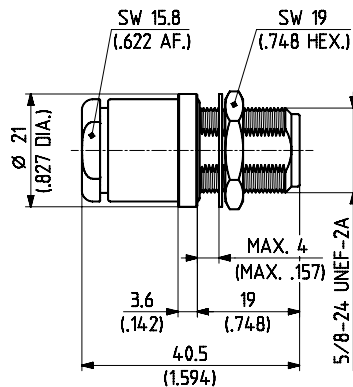


Fig. 2

HUBER+SUHNER type	Item no.	Cable group	Packaging	Assembly instruction	Mounting hole	Weight	Fig.
24_N-50-3-10/133_NE	22542295	U7, U9, U11 (RG_58_C/U)	single	9150	ML 12	41.0 g/1.44 oz.	1
24_N-50-7-8/133_NE	22542323	U29, U32 (RG_214_/U))		3008	ML 12	53.0 g/1.86 oz.	2

For flexible cables

- HUBER+SUHNER full crimp
- Taper sleeves see page 526
- Insulating washers see page 528
- Mounting hole ML 12

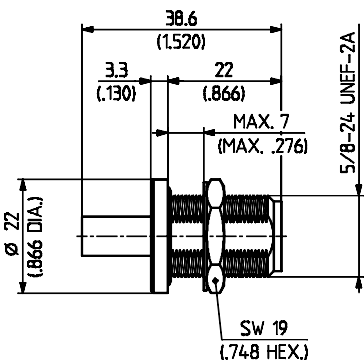


Fig. 1

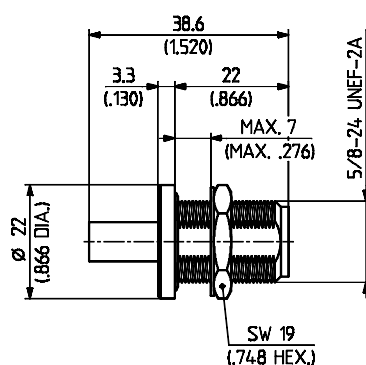


Fig. 2

HUBER+SUHNER type	Item no.	Cable group	Packaging	Assembly instruction	Crimp insert	Weight	Fig.
24_N-50-2-4/133_NE	22650170	U2 (RG_316/U)	single	9068	1 A	35.2 g/1.23 oz.	1
24_N-50-2-117/133_NE	22660124	U4 (K_02252_D)		9068	1 A	36.1 g/1.26 oz.	1
24_N-50-4-17/133_UE	22651789	S16 (S_04262_D-09)		3063	2 C	37.3 g/1.31 oz.	2 ¹⁾

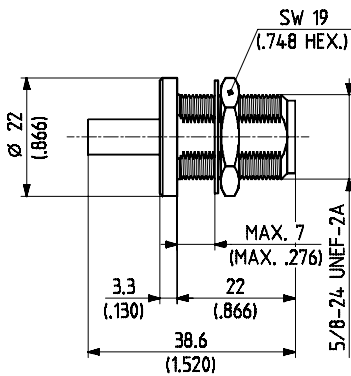
* Has to be crimped with large crimp tool or table press! Centre contact not nickel underplated

Series N 50 Ω – cable connectors

Straight bulkhead cable jacks (female)

For flexible cables

- HUBER+SUHNER full crimp
- Taper sleeves see page 526
- Insulating washers see page 528
- Mounting hole ML 12

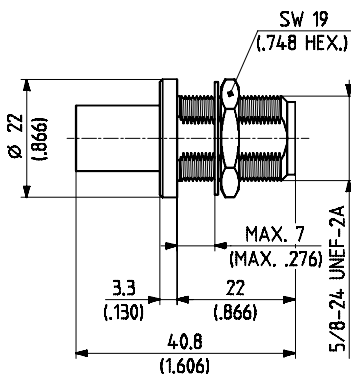


HUBER+SUHNER type	Item no.	Cable group	Packaging	Assembly instruction	Crimp insert	Weight
24_N-50-3-11/133_NE	22542296	U7 (RG_58_C/U)	single	3063	2 B	38.0 g/1.33 oz. *
24_N-50-3-12/133_NE	22542297	U9 (RG_223_/U)				

* Has to be crimped with large crimp tool or table press!

For flexible cables

- HUBER+SUHNER full crimp
- Taper sleeves see page 526
- Insulating washers see page 528
- Mounting hole ML 12



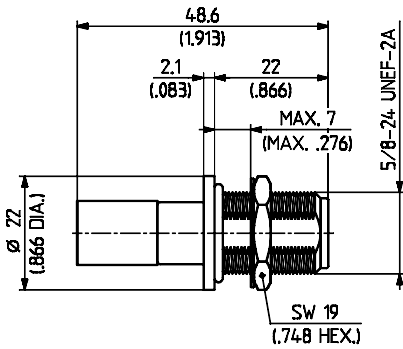
HUBER+SUHNER type	Item no.	Cable group	Packaging	Assembly instruction	Crimp insert	Weight
24_N-50-7-14/133_NE	22542326	U29, U42 (RG_213_/U)	single	3061	3 D	40.0 g/1.40 oz.
24_N-50-7-15/133_NE	22542327	U32 (RG_214_/U)				

Series N 50 Ω - cable connectors

Straight bulkhead cable jacks (female)

For flexible cables

- HUBER+SUHNER full crimp
- Taper sleeves see page 526
- Insulating washers see page 528
- Mounting hole ML 12



HUBER+SUHNER type	Item no.	Cable group	Packaging	Assembly instruction	Crimp insert	Weight
24_N-50-7-24/133_NE	22649912	U33 (RG_393_/U)	single	27064	4 D	39.3 g/1.38 oz.

Series N 50 Ω – cable connectors

Straight panel cable jacks (female)

For semi-rigid cables

- Cable entry soldered
- Centre contact soldered
- Mounting hole ML 14

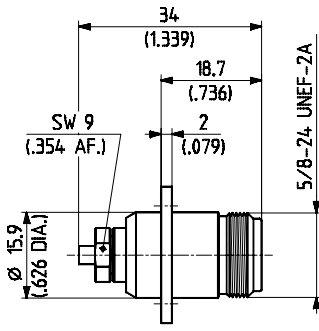


Fig. 1

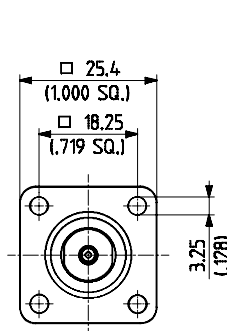
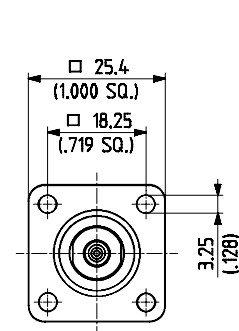
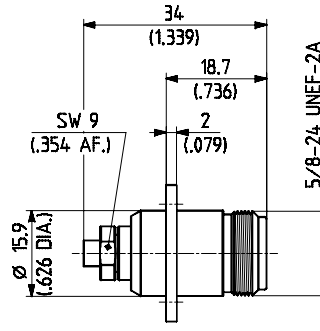


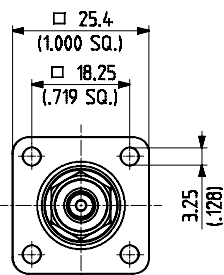
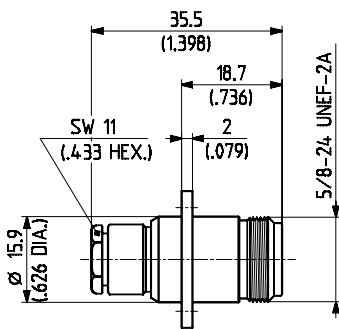
Fig. 2



HUBER+SUHNER type	Item no.	Cable group	Packaging	Assembly instruction	Frequency range (GHz)	Weight	Fig.
25_N-50-2-14/133_NE ¹⁾	22641303	Y3, Y11, Y16 (EZ_86)	single	9073	DC to 12.4	42 g/1.47 oz.	1
25_N-50-3-9/133_NE ¹⁾	22543952	Y5, Y12, Y17 (EZ_141)		9005			2

For flexible cables

- Cable entry clamp
- Centre contact soldered



HUBER+SUHNER type	Item no.	Cable group	Packaging	Assembly instruction	Mounting hole	Weight
25_N-50-2-2/133_NE	22542332	U2, X3 (RG_316_/U)	single	3017	ML 14	45.0 g/1.58 oz.
25_N-50-3-4/133_NE	22542342	U7, U9, U11 (RG_58_C/U)				44.0 g/1.54 oz.

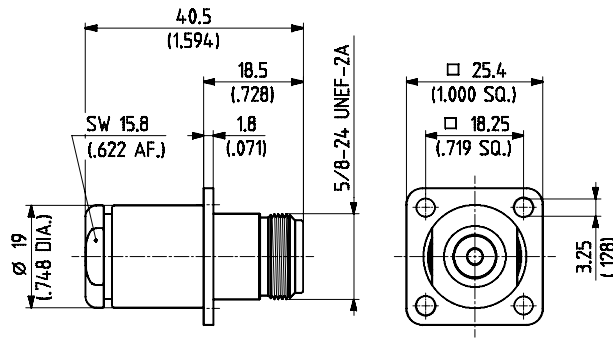
¹⁾ Centre contact NOT captivated

Series N 50 Ω - cable connectors

Straight panel cable jacks (female)

For flexible cables

- Cable entry clamp
- Centre contact soldered



HUBER+SUHNER type	Item no.	Cable group	Packaging	Assembly instruction	Mounting hole	Weight
25_N-50-7-8/133_NE	22542366	U29, U32 (RG_214_/U)	single	3008	ML 18	55.0 g/1.93 oz.

For flexible cables

- HUBER+SUHNER full crimp
- Taper sleeves see page 526
- Mounting hole ML 14

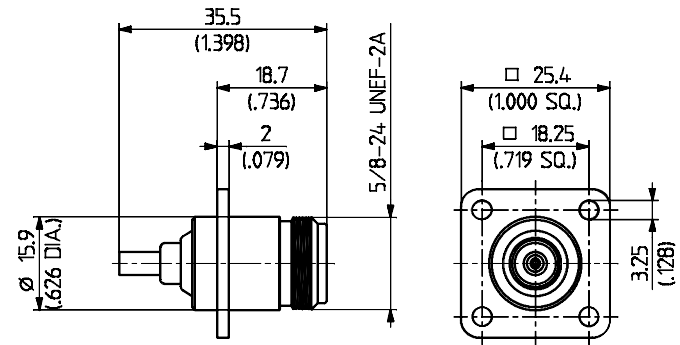
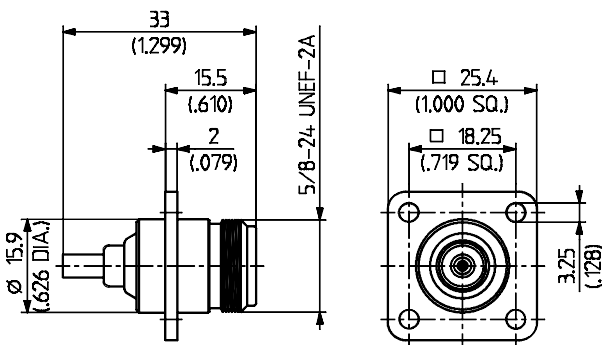


Fig. 1

Fig. 2

HUBER+SUHNER type	Item no.	Cable group	Packaging	Assembly instruction	Crimp insert	Weight	Fig.
25_N-50-2-9/133_NE	22651072	U2 (RG_316_/U)	single	9068	1 A	34.5 g/1.21 oz.	1
25_N-50-2-10/133_NE	22651054	U4 (K_02252_D)				38.6 g/1.35 oz.	2

Series N 50 Ω - cable connectors

Straight panel cable jacks (female)

For flexible cables

- HUBER+SUHNER full crimp
- Taper sleeves see page 526
- Mounting hole ML 14

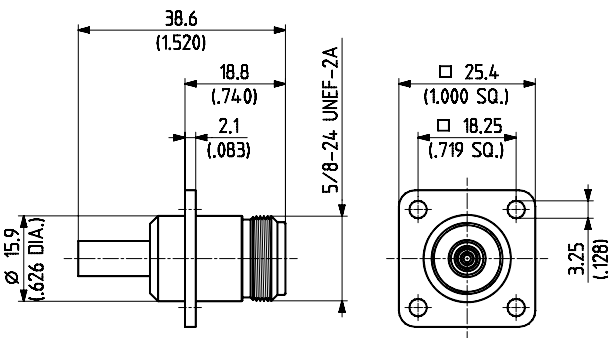


Fig. 1

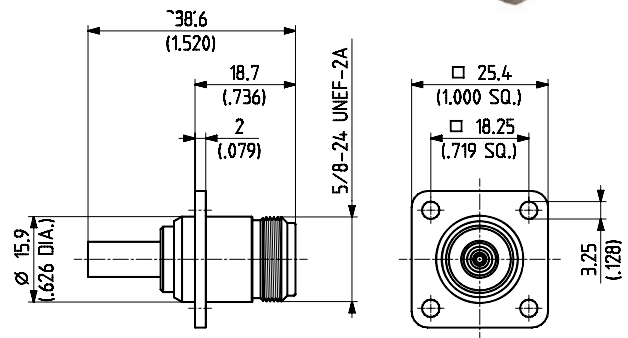
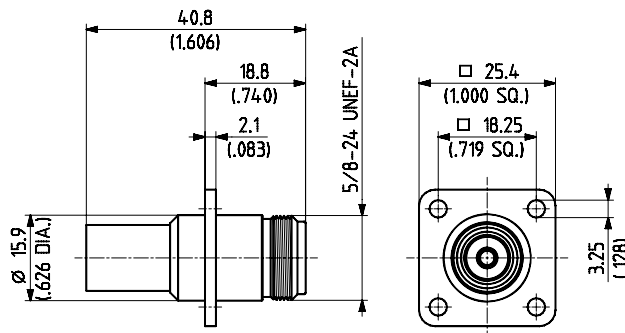


Fig. 2

HUBER+SUHNER type	Item no.	Cable group	Packaging	Assembly instruction	Crimp insert	Weight	Fig.
25_N-50-3-6/133_NE	22542346	U7 (RG_58_C/U)	single	3063	2 B	39.0 g/1.37 oz.	1
25_N-50-3-7/133_NE	22542348	U9 (RG_223_/U)				39.0 g/1.37 oz.	1
25_N-50-3-20/133_NE	22649913	U11 (RG_400_/U)				37.0 g/1.30 oz.	2

For flexible cables

- HUBER+SUHNER full crimp
- Taper sleeves see page 526
- Mounting hole ML 14

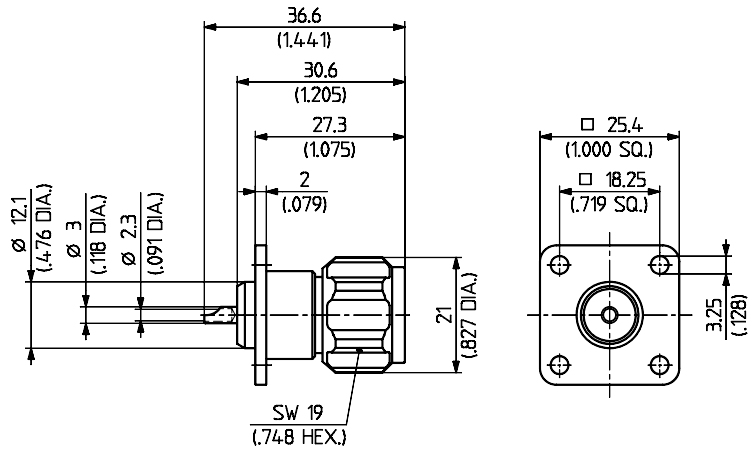


HUBER+SUHNER type	Item no.	Cable group	Packaging	Assembly instruction	Crimp insert	Weight
25_N-50-7-13/133_NE	22542369	U29 (RG_213_/U)	single	3061	3 D	42.0 g/1.47 oz.
25_N-50-7-14/133_NE	22542370	U32 (RG_214_/U)				

Series N 50 Ω - receptacles with solder end

Receptacles, plug (male)

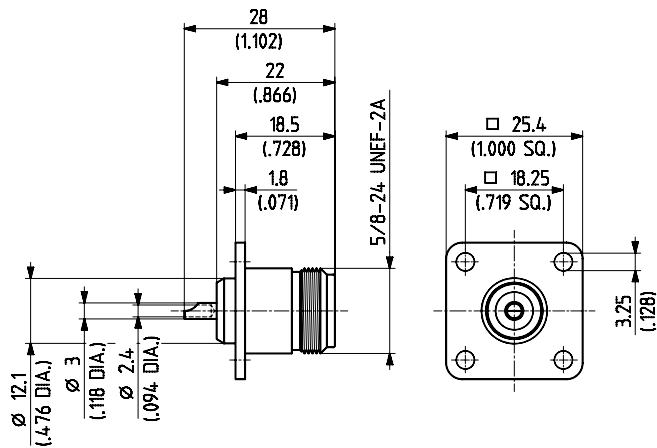
- Panel mounted



HUBER+SUHNER type	Item no.	Packaging	Mounting hole	Weight
13_N-50-0-1/133_NE	22542173	single	ML 16	46.0 g/1.61 oz.

Receptacles, jacks (female)

- Panel mounted



HUBER+SUHNER type	Item no.	Packaging	Mounting hole	Weight
23_N-50-0-1/133_NE	22542272	single	ML 17	31.0 g/1.09 oz.

Series N 50 Ω – receptacles with solder end

Receptacles, jacks (female)

- Bulkhead mounted
- Solder tags see page 529
- With panel seal
- Insulating washers see page 528

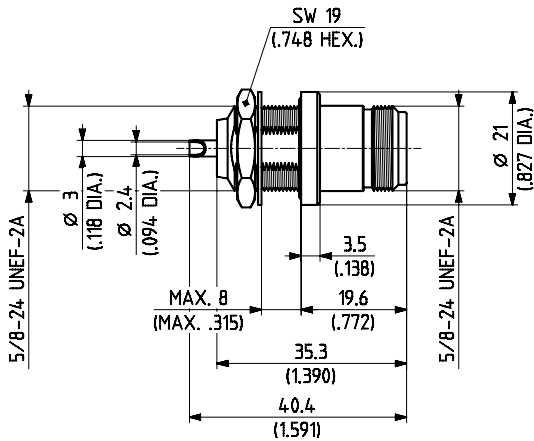


Fig. 1

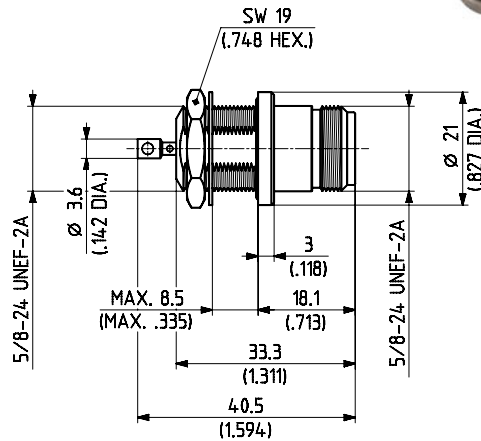
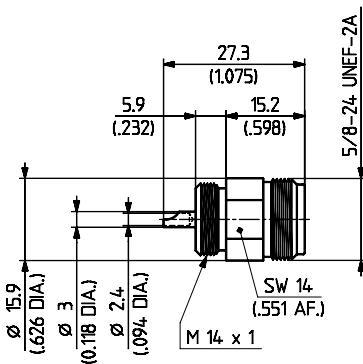


Fig. 2

HUBER+SUHNER type	Item no.	Packaging	Mounting hole	Weight	Notes	Fig.
22_N-50-0-2/133_NE	22542265	single	ML 12	47.0 g/1.65 oz.		1
22_N-50-0-3/133_NE	22644425				hermetically sealed ¹⁾	2

- Bulkhead mounted



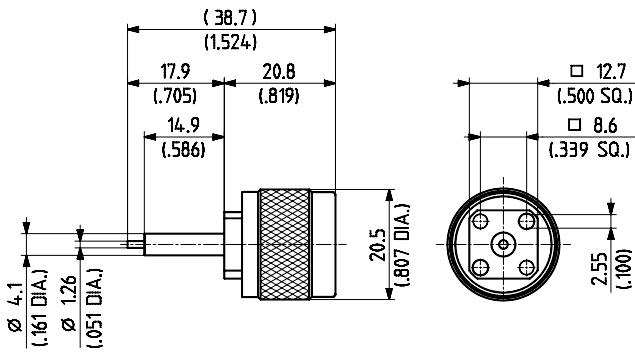
HUBER+SUHNER type	Item no.	Packaging	Weight	Notes
22_N-50-0-23/133_NF	22651448	bulk 50 pcs.	20.8 g/0.73 oz.	without nut and washer (direct screw into panel, thread M 14 × 1)

¹⁾ leak rate 10⁻⁶ Torr l/sec.(atm cc/s) max.
RoHs compliant alternative on request

Series N 50 Ω – receptacles with solder end

Receptacles, plugs (male)

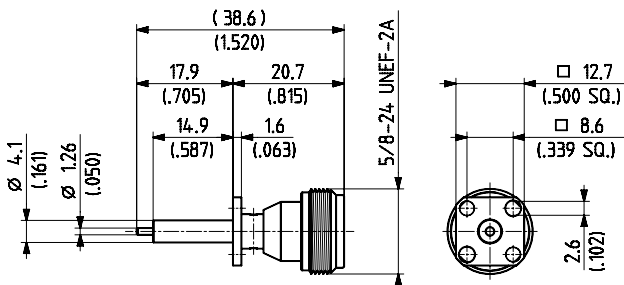
- Panel mounted
- Extended dielectric



HUBER+SUHNER type	Item no.	Packaging	Weight	Notes
13_N-50-0-30/133_NE	22642831	single	30.0 g/1.05 oz.	SMA flange size

Receptacles, jacks (female)

- Panel mounted
- Extended dielectric



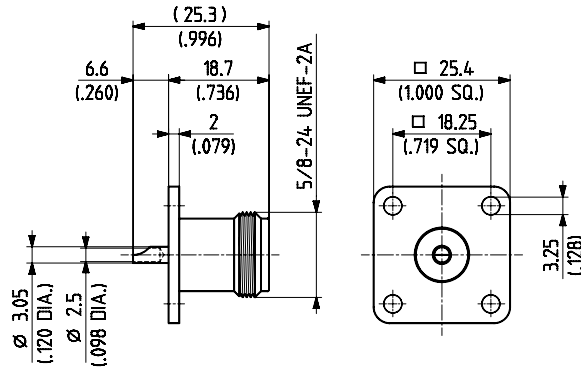
HUBER+SUHNER type	Item no.	Packaging	Weight	Notes
23_N-50-0-30/133_NE	22642835	single	14.0 g/0.49 oz.	SMA flange size

N 50 Ω

Series N 50 Ω - receptacles with solder end

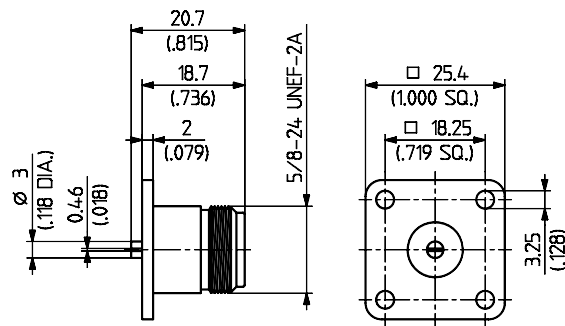
Receptacles, jacks (female)

- Panel mounted
- Solder pot terminal
- Flush dielectric



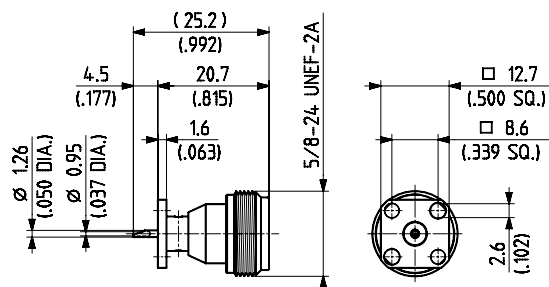
HUBER+SUHNER type	Item no.	Packaging	Weight
23_N-50-0-23/133_NE	22544751	single	24.0 g/0.84 oz.

- End of centre pin slotted
- Panel mounted
- Flush dielectric



HUBER+SUHNER type	Item no.	Packaging	Weight
23_N-50-0-69/133_NX	22648797	bulk 150 pcs.	27.9 g/0.89 oz.

- Panel mounted
- Solder pot terminal
- Flush dielectric

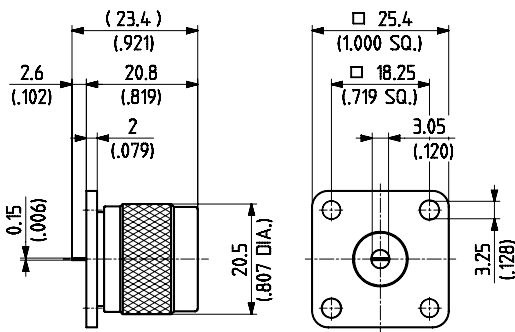


HUBER+SUHNER type	Item no.	Packaging	Weight	Notes
23_N-50-0-31/133_NE	22642836	single	13.6 g/0.48 oz.	SMA flange size

Series N 50 Ω - stripline launchers

Receptacles, plugs (male)

- Panel mounted
- Tab contact
- Flush dielectric



HUBER+SUHNER type	Item no.	Packaging	Weight
13_N-50-0-33/133_NE	22642834	single	36.0 g/1.26 oz.

Receptacles, jacks (female)

- Panel mounted
- Tab contact
- Flush dielectric

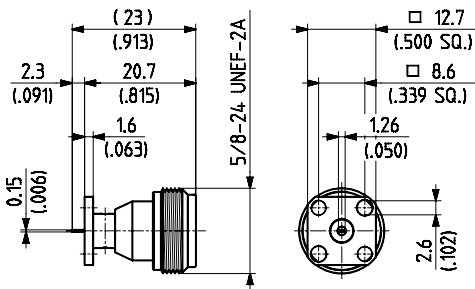


Fig. 1

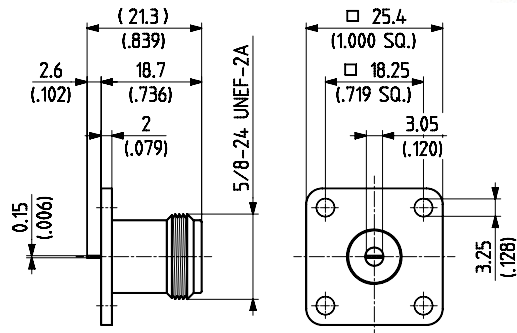


Fig. 2

HUBER+SUHNER type	Item no.	Packaging	Weight	Notes	Fig.
23_N-50-0-16/133_NE	22641166	single	13.5 g/0.47 oz.	SMA flange size	1
23_N-50-0-33/133_NE	22642837		24.5 g/0.86 oz.		2

Series N 50 Ω – protective caps

- Suitable for N 50 Ω and N 75 Ω
- With chain

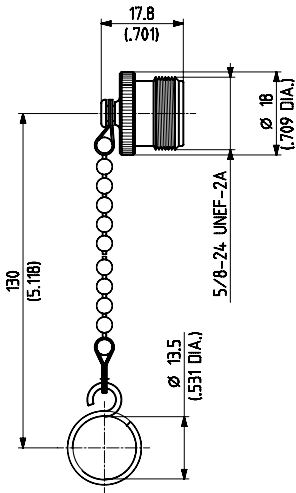


Fig. 1

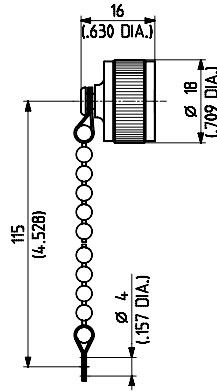


Fig. 2



HUBER+SUHNER type	Item no.	Packaging	Weight	Notes	Fig.
61_N-0-0-1/-3_E	22542452	single	16.0 g/0.56 oz.	for plugs	1
62_N-0-0-1/-3_E	22543433		15.0 g/0.53 oz.	for jacks	2