

Series N 75 Ω – coaxial connectors

Description

HUBER+SUHNER N connectors are available with 50 Ω and 75 Ω impedance. The screw-type coupling mechanism provides a sturdy and reliable connection.

Compatibility

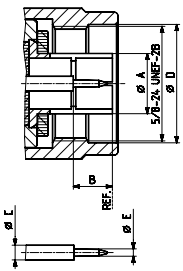
Center conductors of N 75 Ω connectors have a smaller diameter than those of the 50 Ω version. Therefore 50 Ω and 75 Ω connectors must not be mated with each other.

Content

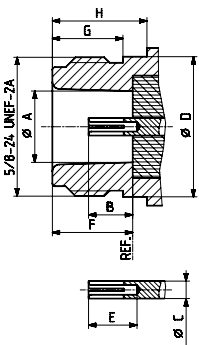
Description	395
Compatibility	395
Interface dimensions in mm/inches	395
Technical data	396
Cable connectors	397
Receptacles with solder end	399

Interface dimensions (mm/inches)

Plug (male)



Jack (female)



	Plug		Jack	
	min.	max.	min.	max.
A	-	8.38/0.330	8.03/0.316	8.13/0.320
B	5.33/0.210	5.84/0.230	4.75/0.187	5.26/0.207
C	-	2.00/0.079	-	2.00/0.079
D	16.00/0.630	-	-	15.93/0.627
E	1.00/0.039	1.05/0.041	5.33/0.210	-
F	-	-	9.04/0.356	9.19/0.362
G	-	-	6.76/0.266	-
H	-	-	10.72/0.422	-

IP rating (interface, mated) IP68

Series N 75 Ω - technical data

Electrical data	Requirements
Impedance	75 Ω
Frequency range	DC - 1.5 GHz
Dielectric withstanding voltage (at sea level)	2.5 kV rms, 50 Hz
Working voltage (at sea level)	≤ 1.0 kV rms, 50 Hz
Insulation resistance	≥ 5 · 10 ³ MΩ
Contact resistance <ul style="list-style-type: none"> • Centre contact • Outer contact 	≤ 1.0 mΩ ≤ 1.0 mΩ
RF leakage (measured at 1 GHz)	≥ 90 dB

Mechanical data	Requirements
Coupling nut torque <ul style="list-style-type: none"> • Recommended 	0.68 to 1.13 Nm/6.0 to 10.0 in lbs
Coupling nut retention force	≥ 450 N/101.2 lbs
Contact captivation	≥ 28 N/6.3 lbs
Cable retention force ¹⁾	see pages 32 - 37
Durability (matings)	≥ 500

Environmental data	Requirements
Temperature range	-65 to +165 °C/-85 to +329 °F
Climatic category	IEC → 55/155/21
Thermal shock	MIL-STD-202, method 107, condition B
Moisture resistance	MIL-STD-202, method 106
Corrosion	saltspray test acc. to MIL-STD-202, method 101, condition B
Vibration	MIL-STD-202, method 204, condition B
Shock	MIL-STD-202, method 213, condition G

Material data		
Connector parts	Material	Plating
Bodies	brass	SUCOPLATE®
Pin contacts	brass	gold/SUCOPRO® gold plating
Outer contact, slotted	spring bronze	SUCOPLATE®
Female contacts	copper-beryllium alloy spring bronze	gold/SUCOPRO® gold plating
Crimp ferrules	copper	SUCOPLATE®
Insulators, standard version	PTFE or PFA	
Gaskets	silicone rubber	

Some connectors may have a specification that differs from the above mentioned data.

The products are designed and guaranteed to pass the above mentioned test procedures. Any additional or different requirement arising from specific applications or environmental conditions which is not covered by these test procedures is subject to request.

¹⁾ Value considers maximum load of the cables without irreversible variations of specifications.

Series N 75 Ω - cable connectors

Straight cable plugs (male)

For flexible cables

- Cable entry clamp
- Centre contact soldered

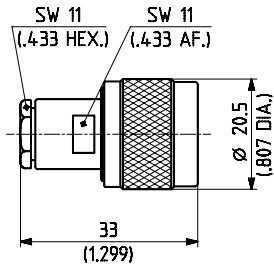


Fig. 1

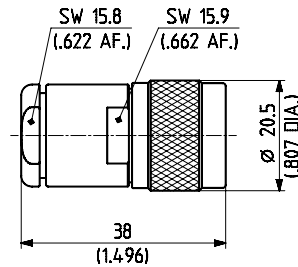


Fig. 2

HUBER+SUHNER type	Item no.	Cable group	Packaging	Assembly instruction	Weight	Fig.
11_N-75-4-3/133_NE	22542467	U16 (RG_59_B/U)	single	27042	34.0 g/1.19 oz	1
11_N-75-4-6/133_NE	22542475	U18 (G_04233_D)		27042	34.0 g/1.19 oz	1
11_N-75-7-4/133_NE	22542497	U34, U36 (RG_216_/U)		3008	48.0 g/1.68 oz.	2

For flexible cables

- HUBER+SUHNER full crimp
- Taper sleeves see page 526

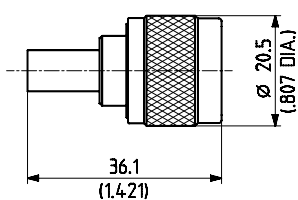


Fig. 1

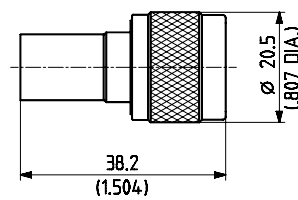


Fig. 2

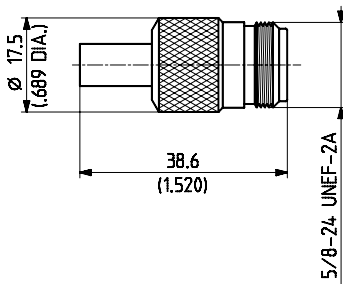
HUBER+SUHNER type	Item no.	Cable group	Packaging	Assembly instruction	Crimp insert	Weight	Fig.
11_N-75-4-8/133_NE	22542477	U16 (RG_59_B/U)	single	3063	2 C	30.0 g/1.05 oz.	1
11_N-75-4-9/133_NE	22542478	U18 (G_04233_D)		3063	2 C	30.0 g/1.05 oz.	1
11_N-75-7-16/133_NE	22542511	U34 (RG_11_A/U)		3061	2 D	32.0 g/1.12 oz.	2
11_N-75-7-18/133_NE	22542512	U36 (RG_216_/U)		3061	2 D	32.0 g/1.12 oz.	2

Series N 75 Ω - cable connectors

Straight cable jacks (female)

For flexible cables

- HUBER+SUHNER full crimp
- Taper sleeves see page 526

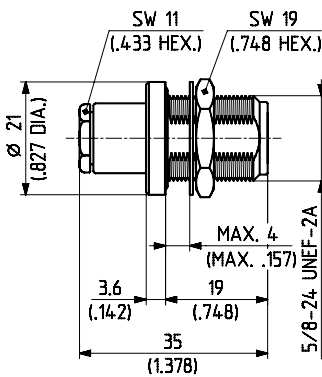


HUBER+SUHNER type	Item no.	Cable group	Packaging	Assembly instruction	Crimp insert	Weight
21_N-75-4-8/133_NE	22640810	U16 (RG_59_B/U)	single	3063	2 C	34.0 g/1.19 oz.

Straight bulkhead cable jacks (female)

For flexible cables

- Cable entry clamp
- Centre contact soldered
- With panel seal
- Insulating washers see page 528

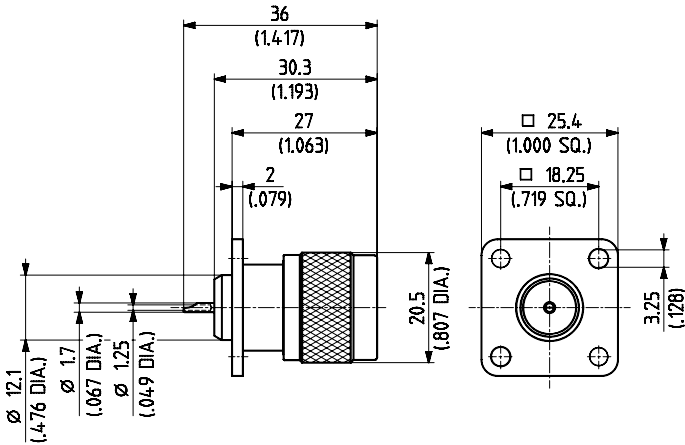


HUBER+SUHNER type	Item no.	Cable group	Packaging	Assembly instruction	Mounting hole	Weight
24_N-75-4-2/133_NE	22543628	U16 (RG_59_B/U)	single	27042	ML 12	40.0 g/1.40 oz.

Series N 75 Ω - receptacles with solder end

Flange mount, plug (male)

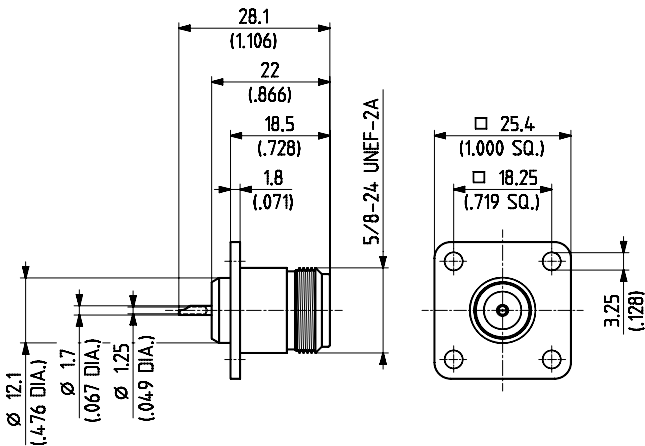
- Panel mounted



HUBER+SUHNER type	Item no.	Packaging	Mounting hole	Weight
13_N-75-0-1/133_NE	22542522	single	ML 16	45.0 g/1.58 oz.

Flange mount, jack (female)

- Panel mounted



HUBER+SUHNER type	Item no.	Packaging	Mounting hole	Weight
23_N-75-0-1/133_NE	22542575	single	ML 17	30.0 g/1.05 oz.

N 75 Ω