

Series 1.0/2.3 inserts according to DIN 41626/2

Description

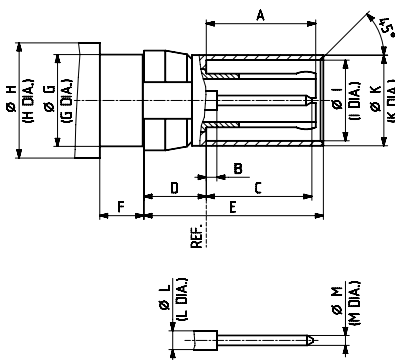
HUBER+SUHNER coaxial "inserts" 1.0/2.3 are suitable for the insertion of mixed layout connectors DIN 41612 (pattern M). These inserts feature a slide-on coupling mechanism, which ensures a short connect-disconnect time. Impedance accuracy, fast and easy assembly as well as high reproducibility due to the full crimp cable entry are typical characteristics of these HUBER+SUHNER connectors. The 1.0/2.3 inserts are suitable for applications up to 4 GHz.

Contents

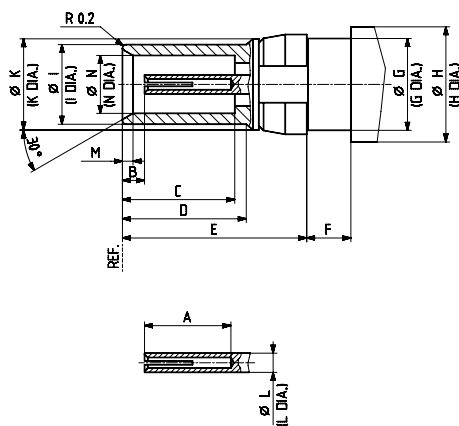
Description	219
Interface dimensions in mm/inches	219
Technical data	220
Cable connectors	222
PCB connectors	223

Interface dimensions (mm/inches)

Plug (male)



Jack (female)



	Plug		Jack	
	min.	max.	min.	max.
A	5.40/0.213	5.70/0.224	4.50/0.177	-
B	-	1.15/0.045	1.15/0.045	1.45/0.057
C	5.20/0.205	5.50/0.217	5.80/0.228	5.90/0.232
D	3.05/0.120	3.20/0.126	6.40/0.252	6.50/0.256
E	9.25/0.364	9.35/0.368	9.50/0.374	9.60/0.378
F	2.22/0.087	2.40/0.094	2.22/0.087	2.40/0.094
G	4.76/0.187	4.79/0.189	4.76/0.187	4.79/0.189
H	-	6.00/0.236	-	6.00/0.236
I	4.20/0.165	4.28/0.169	4.03/0.159	4.15/0.163
K	4.66/0.183	4.78/0.188	4.72/0.186	4.75/0.187
L	1.00/0.039 nom.		1.00/0.039 nom.	
M	0.48/0.019	0.52/0.020	0.50/0.020	0.60/0.024
N	-	-	3.00/0.118	3.06/0.120

Interface dimensions conformable to the standards:

Germany: DIN 41626/2

Series 1.0/2.3 – technical data

Electrical data	Requirements
Impedance	50 Ω
Frequency range (GHz)	DC to 4
Dielectric withstanding voltage (at sea level)	750 V rms, 50 Hz (depending on cable)
Working voltage (at sea level)	250 V rms, 50 Hz (depending on cable)
Insulation resistance	≥ 200 MΩ
Contact resistance <ul style="list-style-type: none"> • Centre conductor • Outer conductor 	≤ 10 mΩ ≤ 3 mΩ

Mechanical data	Requirements
Engagement force	≤ 10 N/2.3 lbs
Disengagement force	≤ 10 N/2.3 lbs
Contact captivation	≥ 10 N
Cable retention force ¹⁾	see pages 32 - 37
Durability (matings)	≥ 500

Environmental data	Requirements
Temperature range	-55 to +125 °C/-67 to +257 °F
Climatic category	IEC → 50/125/56
Moisture resistance	MIL-STD-202, method 106
Corrosion	salt spray test acc. to MIL-STD-202, method 101, condition B
Vibration	MIL-STD-202, method 204, condition A

¹⁾ Value considers maximum load of the cables without irreversible variations of specifications.

Series 1.0/2.3 – technical data

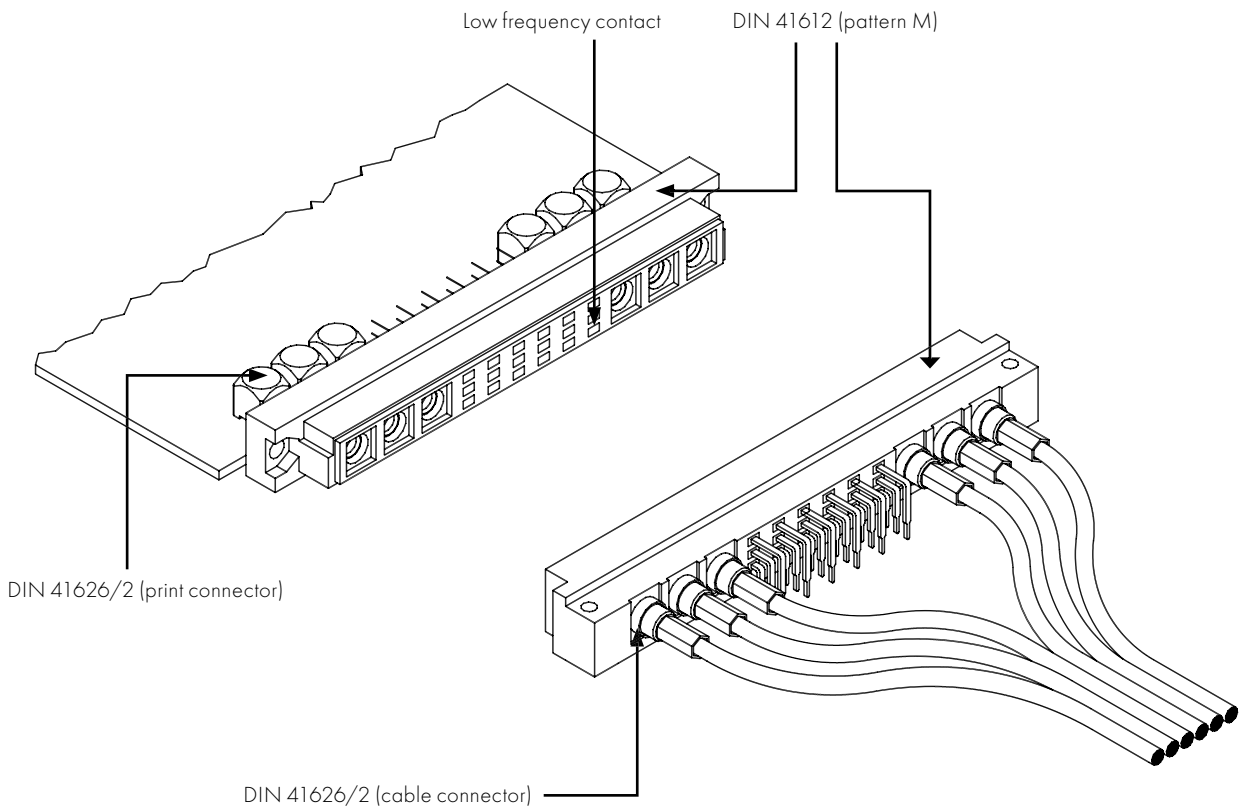
Material data		
Connector part	Material	Plating
Bodies	brass	gold/SUCOPRO® gold plating
Outer contacts	copper-beryllium alloy, brass	gold/SUCOPRO® gold plating
Pin contacts	brass	gold/SUCOPRO® gold plating
Socket contacts	copper-beryllium alloy	gold/SUCOPRO® gold plating
Crimp ferrules	copper	gold/SUCOPRO® gold plating
Insulators	PTFE or PFA	

Some connectors may have a specification that differs from the above mentioned data.

The products are designed and guaranteed to pass the above mentioned test procedures. Any additional or different requirement arising from specific applications or environmental conditions which is not covered by these test procedures is subject to request.

1.0/2.3

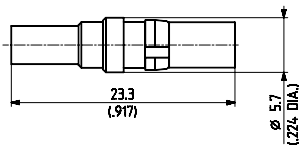
Typical application



Series 1.0/2.3 – cable connectors

Straight cable plugs (male)

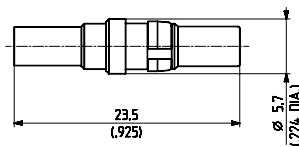
- HUBER+SUHNER full crimp
- Removal tool see page 516



HUBER+SUHNER type	Item no.	Cable group (example)	Packaging	Assembly instruction	Crimp insert	Plating
11_1023-C50-2-2/111_NE-1 ¹⁾	84148590	U4 (K_02252_D)	single	9191	1 A	SUCOPRO® gold plating
11_1023-C50-2-2/111_NE 11_1023-C50-2-2/111_NH	22648559 22649631		single bulk 100 pcs.			gold
11_1023-C50-2-3/111_NE 11_1023-C50-2-3/111_NH	22648780 22649007	U2 (RG_316_/U)	single bulk 100 pcs.			gold

Straight cable jacks (female)

- HUBER+SUHNER full crimp
- Removal tool see page 516



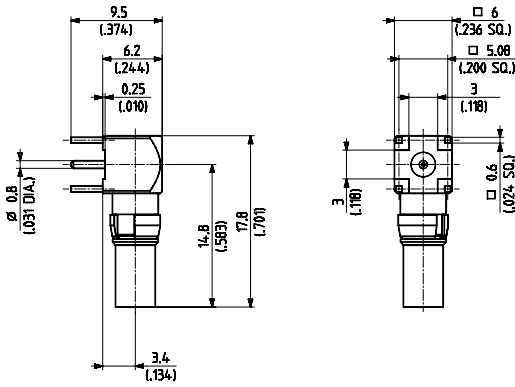
HUBER+SUHNER type	Item no.	Cable group (example)	Packaging	Assembly instruction	Crimp insert	Plating
21_1023-C50-2-2/111_NE-1 ¹⁾	84149886	U4 (K_02252_D)	single	9191	1 A	SUCOPRO® gold plating
21_1023-C50-2-2/111_NE	22648560					gold
21_1023-C50-2-3/111_NE	22648790	U2 (RG_316_/U)				gold

¹⁾ Preferred type

Series 1.0/2.3 – PCB connectors

Right angle PCB jacks (female)

- Removal tool see page 516



HUBER+SUHNER type	Item no.	Packaging	Mounting hole	Plating
85_1023-C50-0-1/111_NE-1 ¹⁾	84149979	single	ML 15	SUCOPRO® gold plating
85_1023-C50-0-1/111_NE	22648561			gold

¹⁾ Preferred type