

Series MMCX – micro miniature connectors

Description

HUBER+SUHNER MMCX connectors are intended for use in applications where the smallest dimensions have to be achieved. These connectors can be used in applications from DC to 6 GHz.

The reliable "snap-on" coupling mechanism ensures that the electrical parameters are consistently reproduced. Due to its non-slotted outer contact, the MMCX series provides a low RF leakage.

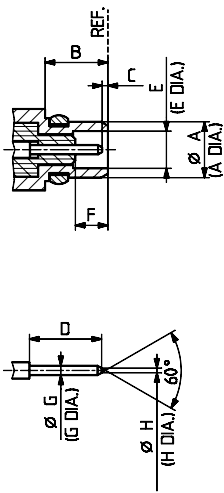
In addition, HUBER+SUHNER SMT MMCX connectors fully meet today's SMT (Surface Mount Technology) requirements with superior design, material selection and packaging. The HUBER+SUHNER SMT connectors are suitable to all reflow-soldered SMT-PCBs where impedance matching or screened signal transmission is necessary.

Content

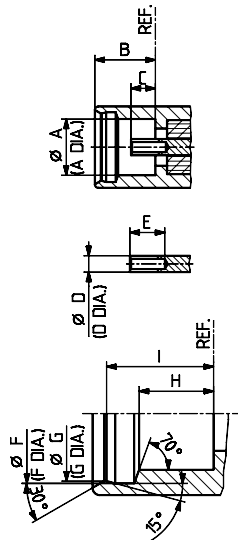
Description	109
Interface dimensions in mm/inches	109
Technical data	110
Cable connectors	112
Receptacles with solder end	117
PCB connectors	118
MMCX "cube" connectors	120
Packaging MMCX "cube" connectors	121
Application notes MMCX "cube" connectors	122
Packaging for MMCX edge mount	125
Application notes for MMCX edge mount	125

Interface dimensions (mm/inches)

Plug (male)



Jack (female)



	Plug		Jack	
	min.	max.	min.	max.
A	-	2.40/0.094	2.41/0.095	-
B	2.70/0.106	-	-	2.65/0.104
C	0.00/0.000	0.25/0.010	0.90/0.035	1.20/0.047
D	1.23/0.048	-	0.70/0.028 nom.	
E	1.58/0.062	1.62/0.064	1.40/0.055	-
F	1.23/0.048	-	3.00/0.118	3.04/0.120
G*	0.38/0.015	0.42/0.017	2.88/0.113	2.92/0.115
H	-	0.20/0.008	1.57/0.062	1.63/0.064

	Jack		
G ¹⁾	2.88/0.113	2.90/0.114	2.92/0.115
I	2.34/0.092	2.30/0.091	2.26/0.089

Interface dimensions conformable to the standards:

International: IEC 61169-52

¹⁾ I is rated to G

Series MMCX – technical data

Electrical data	CECC 22000	Requirements
Impedance		50 Ω
Frequency range		DC to 6 GHz
Dielectric withstanding voltage (at sea level)	4.4.5	500 V rms, 50 Hz
Working voltage (at sea level)		≥ 170 V rms, 50 Hz
Insulation resistance	4.4.4	≥ 10 ³ MΩ/≥ 500 MΩ ¹⁾
Contact resistance		
• Centre contact	4.4.2	≤ 5.0 mΩ/≥ 10 MΩ ¹⁾
• Outer contact	4.4.3	≤ 2.5 mΩ/≥ 5 MΩ ¹⁾
VSWR (mated pair)	4.4.1	(typical values)
• Up to 4 GHz		≤ 1.15
• 4 up to 6 GHz		≤ 1.40
		for cable connectors, see table below
RF leakage (measured at 1 GHz)	4.4.8	≥ 60 dB
• Connectors for flexible cables		≥ 70 dB
• Connectors for semi-rigid cables		

¹⁾ valid for MMCX "cube" connectors only

Typical VSWR	Frequency range			Cable group
	1 GHz	2.5 GHz	6 GHz	
Straight connectors	1.03	1.08	1.12	Y3, Y11
	1.04	1.08	1.12	U1
Right angle connectors	1.03	1.08	1.13	Y3, Y11
	1.07	1.12	1.25	U1

Mechanical data	CECC 22000	Requirements
Engagement force	4.5.4	≤ 15 N/3.4 lbs
Disengagement force	4.5.4	6 to 15 N/1.4 to 3.4 lbs
Contact captivation	4.5.2	≥ 10 N/2.3 lbs
Cable retention force ¹⁾	4.5.5	see pages 32 - 37
Durability (matings)	4.7.1	≥ 500

¹⁾ value considers maximum load of the cables without irreversible variations of specifications

Environmental data	CECC 22000 test conditions	Equivalent MIL test conditions
Temperature range		-55 to +155 °C/-67 to +311 °F
Climatic category	4.6.5 → 55/155/21	
Thermal shock	4.6.7 → IEC 68-2-14 Na	MIL-STD-202, method 107, condition F
Moisture resistance	4.6.6 → IEC 68-2-3 Ca	MIL-STD-202, method 106
Corrosion	4.6.10 → IEC 68-2-11 Ka	saltspray test acc. to MIL-STD-202, method 101, condition B
Vibration	4.6.3 → IEC 68-2-6 Fc	MIL-STD-202, method 204, condition C

Series MMCX – technical data

Environmental data for "cube" connectors only	CECC 22000 test conditions	Equivalent MIL test conditions
Temperature range		-40 to +90 °C/-40 to +194 °F
Climatic category	4.6.5 → 40/90/21	
Thermal shock	4.6.7	MIL-STD-202, method 107, -40 °C/40 °F and +90 °C/+194 °F, 30 min. each
Moisture resistance	4.6.6	MIL-STD-202, method 103, condition B
Vibration	4.6.3	3 cycles in 3 opposite directions 10 to 150 Hz, 10 to 60 Hz: 0.75 mm/0.030 in., 60 to 150 Hz: 10 G
Mechanical shock	4.6.4	MIL-STD-202, method 213, condition B

Material data		
Connector parts	Material	Plating
Centre contact	copper-beryllium alloy, bronze	gold/SUCOPRO® gold plating
Body	brass	gold/SUCOPRO® gold plating
Crimp ferrules	brass	gold/SUCOPRO® gold plating
Insulators	PTFE or PFA	

Material data for "cube" connectors only		
Connector parts	Material	Plating
Leads Contact sockets	bronze	gold
Body	LCP (liquid crystal polymer), brass	gold
Outer contact	brass	gold
Insulators	LCP (liquid crystal polymer), PTFE or PFA	

Processing data		
for "cube" connectors only	Test standard	Requirement
Lead free reflow process	IPC/JEDECJ-STD-020C	recommended
Adherent to the print <ul style="list-style-type: none"> • Shearing • Pulling (vertical to PCB) 		25 N/5.6 lbs 50 N/11.2 lbs

Some connectors may have a specification that differs from the above mentioned data.

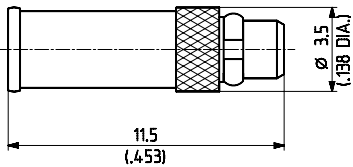
The products are designed and guaranteed to pass the above mentioned test procedures. Any additional or different requirement arising from specific applications or environmental conditions which is not covered by these test procedures is subject to request.

Series MMCX – cable connectors

Straight cable plugs (male)

For semi-rigid cables

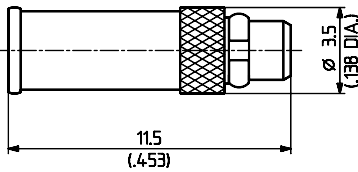
- Cable entry soldered
- Centre contact crimped



HUBER+SUHNER type	Item no.	Cable group (example)	Packaging	Assembly instruction	Crimp insert
11_MMCX-50-1-3/111_OE	22648893	Y2 (EZ_47)	single	9078	1
11_MMCX-50-2-1/111_OE	22645297	Y3, Y11, Y16 (EZ_86)	single	9170	
11_MMCX-50-2-1/111_OH	22649039		bulk 100 pcs.		

For flexible cables

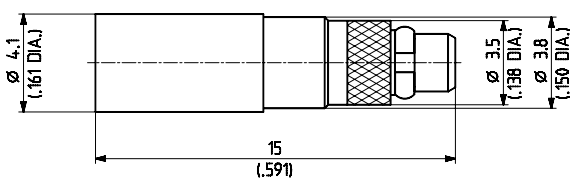
- HUBER+SUHNER full crimp



HUBER+SUHNER type	Item no.	Cable group (example)	Packaging	Assembly instruction	Crimp insert
11_MMCX-50-1-1/111_OE	22645298	U1 (EF_178)	single	9169	1/2.67
11_MMCX-50-1-1/111_OH	22651666		bulk 100 pcs.		
11_MMCX-50-1-2/111_OE	22645296	U0 (K_01152-07)	single		
11_MMCX-50-1-2/111_OH	84027753		bulk 100 pcs.		

For flexible cables

- HUBER+SUHNER full crimp



HUBER+SUHNER type	Item no.	Cable group (example)	Packaging	Assembly instruction	Crimp insert
11_MMCX-50-2-3/111_OE	22649899	U2 (EF_316)	single	9110	1 A
11_MMCX-50-2-3/111_OH	23000258		bulk 100 pcs.		
11_MMCX-50-2-4/111_OE	22649901	U4 (EF_316_D)	single		

Series MMCX – cable connectors

Right angle cable plugs (male)

For semi-rigid cables

- Cable entry soldered
- Centre contact soldered

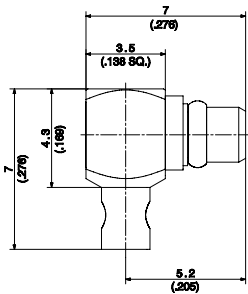


Fig. 1

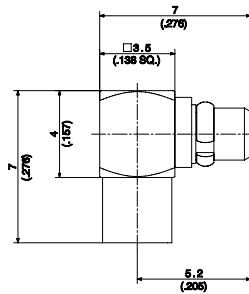


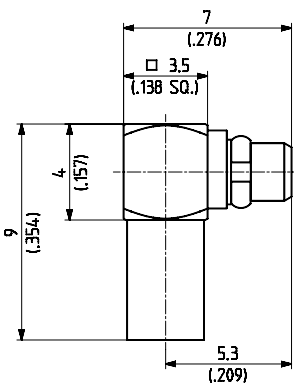
Fig. 2



HUBER+SUHNER type	Item no.	Cable group (example)	Packaging	Assembly instruction	Fig.
16_MMCX-50-1-12/111_OE 16_MMCX-50-1-12/111_OH	84030531 21000178	Y2, Y15 (EZ_47)	single bulk 100 pcs.	0000180777	1
16_MMCX-50-2-13/111_OE 16_MMCX-50-2-13/111_OH	84032569 84007944	Y3, Y11 (EZ_86)	single bulk 100 pcs.	0000214734	2

For flexible cables

- Cable entry crimp
- Centre contact soldered



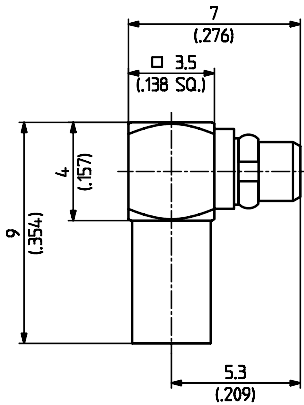
HUBER+SUHNER type	Item no.	Cable group (example)	Packaging	Assembly instruction	Crimp insert
16_MMCX-50-1-1/111_OE 16_MMCX-50-1-1/111_OH	22645955 22648762	U1 (EF_178)	single bulk 100 pcs.	9175	2.67

Series MMCX – cable connectors

Right angle cable plugs (male)

For flexible cables

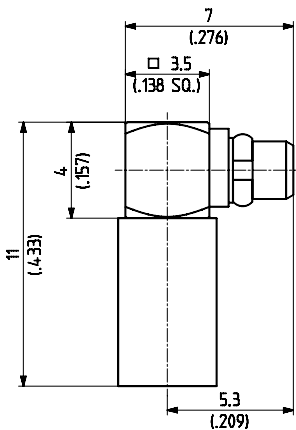
- Cable entry crimp
- Centre contact soldered



HUBER+SUHNER type	Item no.	Cable group (example)	Packaging	Assembly instruction	Crimp insert
16_MMCX-50-1-2/111_OE	22645956	U0 (K_01152-07)	single	9175	2.67
16_MMCX-50-1-2/111_OH	22649009		bulk 100 pcs.		

For flexible cables

- Cable entry crimp
- Centre contact soldered



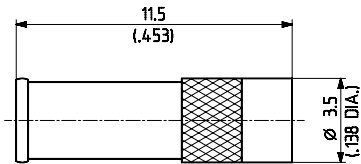
HUBER+SUHNER type	Item no.	Cable group (example)	Packaging	Assembly instruction	Crimp insert
16_MMCX-50-2-2/111_OE	22649374	U4 (EF_316_D)	single	9128	A
16_MMCX-50-2-2/111_OH	22651401		bulk 100 pcs.		
16_MMCX-50-2-4/111_OE	22649433	U2 (EF_316)	single		
16_MMCX-50-2-4/111_OH	22649635		bulk 100 pcs.		

Series MMCX – cable connectors

Straight cable jacks (female)

For semi-rigid cables

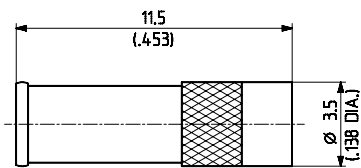
- Cable entry soldered
- Centre contact crimped



HUBER+SUHNER type	Item no.	Cable group (example)	Packaging	Assembly instruction	Crimp insert
21_MMCX-50-2-1/111_OE	22645290	Y3, Y11, Y16 (EZ_86)	single	9170	1

For flexible cables

- HUBER+SUHNER full crimp

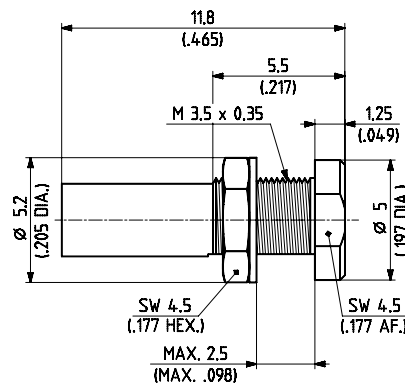


HUBER+SUHNER type	Item no.	Cable group (example)	Packaging	Assembly instruction	Crimp insert
21_MMCX-50-1-1/111_OE	22645288	U1 (EF_178)	single	9169	1/2.67
21_MMCX-50-1-2/111_OE	22645289	U0 (K_01152-07)			

Straight bulkhead cable jacks (female)

For semi-rigid cables

- Cable entry soldered
- Centre contact crimped
- Front mounting



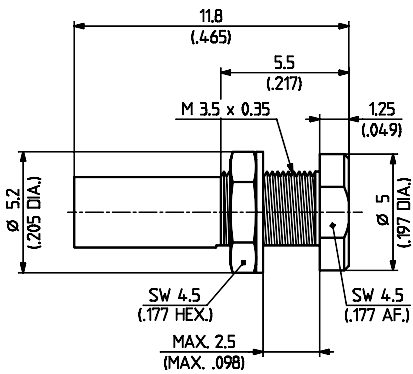
HUBER+SUHNER type	Item no.	Cable group (example)	Packaging	Assembly instruction	Mounting hole	Crimp insert
24_MMCX-50-2-1/111_OE	22645954	Y3, Y11, Y16 (EZ_86)	single	9170	ML68	1

Series MMCX – cable connectors

Straight bulkhead cable jacks (female)

For flexible cables

- HUBER+SUHNER full crimp
- Front mounting

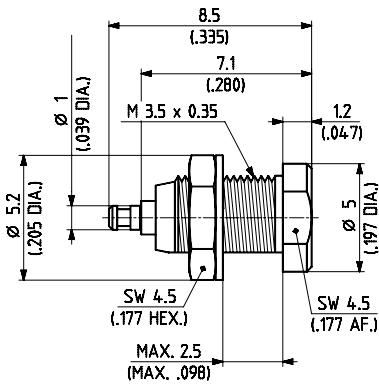


HUBER+SUHNER type	Item no.	Cable group (example)	Packaging	Assembly instruction	Mounting hole	Crimp insert
24_MMCX-50-1-1/111_OE	22645952	U1 (EF_178)	single	9169	ML68	1/2.67
24_MMCX-50-1-1/111_OH	23000416		bulk 100 pcs.			

Series MMCX – receptacles with solder end

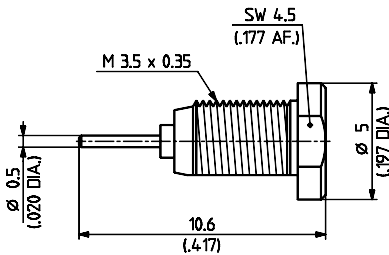
Receptacles, jacks (female)

- Bulkhead mounted



HUBER+SUHNER type	Item no.	Packaging	Mounting hole
22_MMCX-50-0-1/111_OE	22645951	single	ML 68
22_MMCX-50-0-1/111_OH	22660126	bulk 100 pcs.	

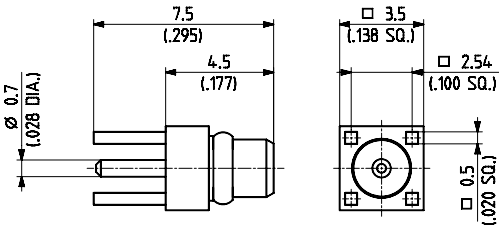
- Bulkhead mounted



HUBER+SUHNER type	Item no.	Packaging	Mounting hole
22_MMCX-50-0-4/111_OH	22660282	bulk 100 pcs.	M 3.5 × 0.35

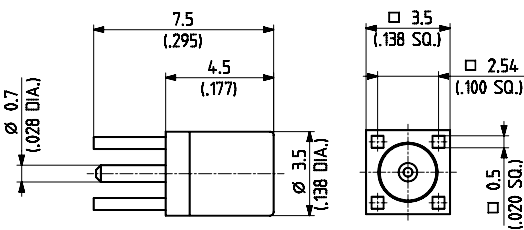
Series MMCX – PCB connectors

Straight PCB plugs (male)



HUBER+SUHNER type	Item no.	Packaging	Mounting hole	Notes
81_MMCX-50-1-1/111_OE	22646298	single	ML 44	without stand-off

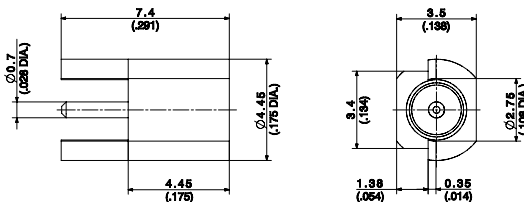
Straight PCB jacks (female)



HUBER+SUHNER type	Item no.	Packaging	Mounting hole	Notes
82_MMCX-50-0-1/111_NE	22645958	single	ML 44	without stand-off
82_MMCX-50-0-1/111_NH	22648469	bulk 100 pcs.		

Jacks for horizontal applications

- Edge mount



HUBER+SUHNER type	Item no.	Packaging	PCB layout	Notes
82_MMCX-S50-0-2/111_KE	22648789	single	see application notes on page 122	
82_MMCX-S50-0-2/111_KH	22649680	bulk 100 pcs.		
82_MMCX-S50-0-2/111_KG	22649679	tape and reel	see application notes on page 122	blister tape containing 750 pcs.
82_MMCX-S50-0-2/111_KL-1	23041776			blister tape containing 1500 pcs.

Series MMCX – PCB connectors

Straight PCB jacks (female)

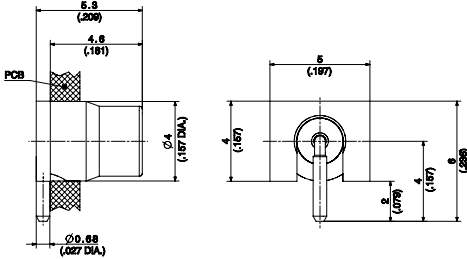


Fig. 1

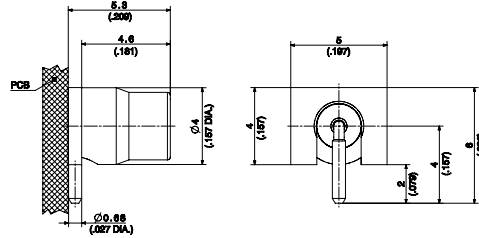
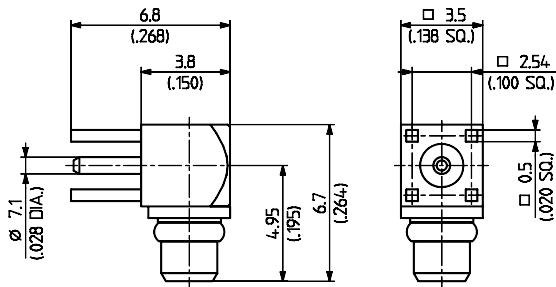


Fig. 2



HUBER+SUHNER type	Item no.	Packaging	Mounting hole	Notes	
82_MMCX-50-0-8/111_OE	22652153	single	ML 167	through-hole mount	1
82_MMCX-50-0-8/111_OM	22660270	tape and reel			
82_MMCX-50-0-18/111_OM	23023564	tape and reel	ML 130	surface mount technology	2

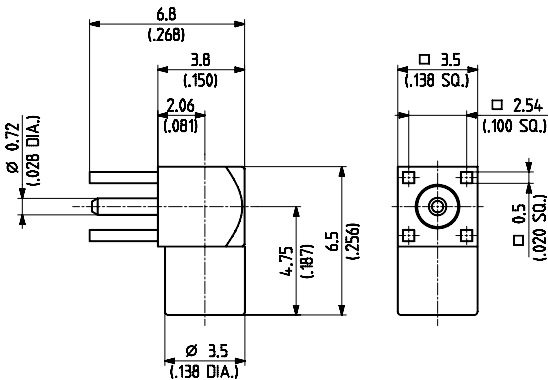
Right angle PCB plugs (male)



HUBER+SUHNER type	Item no.	Packaging	Mounting hole	Notes
84_MMCX-50-0-1/111_OH	22658819	bulk 100 pcs.	ML 44	without stand-off



Right angle PCB jacks (female)

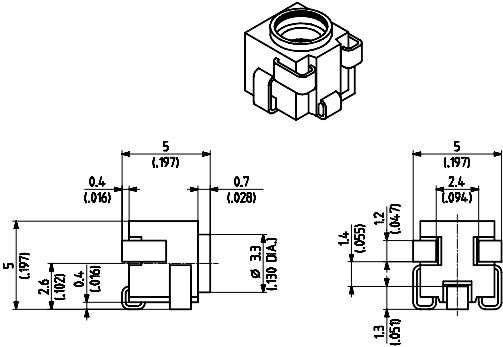


HUBER+SUHNER type	Item no.	Packaging	Mounting hole	Notes
85_MMCX-50-0-1/111_OE	22645968	single	ML 44	without stand-off
85_MMCX-50-0-1/111_OH	22646636	bulk 100 pcs.		



Series MMCX – "cube" connectors

Jacks for straight (vertical) applications



HUBER+SUHNER type	Item no.	Packaging	PCB layout	Notes
82_MMCX-S50-0-55/119_OM	84021645	tape and reel	see application notes on page 122	blister tape containing 1500 pcs.

Jacks for right angle (horizontal) applications

3D perspective view of a right angle MMCX jack, showing its black plastic housing and gold-plated contact surfaces.

HUBER+SUHNER type	Item no.	Packaging	PCB layout	Notes
85_MMCX-S50-0-55/119_OM	84021646	tape and reel	see application notes on page 122	blister tape containing 1500 pcs.

Combination jack

for straight (vertical) or right angle (horizontal) applications



HUBER+SUHNER type	Item no.	Packaging	PCB layout
90_MMCX-S50-0-55/119_OE	84021577	single	see application notes on page 122
90_MMCX-S50-0-55/119_OH	84021269	bulk 100 pcs.	