

Series C – coaxial connectors

Description

HUBER+SUHNER C connectors are medium size RF connectors with two-stud bayonet mechanism which allows quick and easy coupling and decoupling. The C connectors provide 50 Ω impedance and the frequency range (connector interface) is specified for applications up to 11 GHz.

Applications

- Defense
- Instrumentation
- Airframe

Content

Description	359
Applications	359
Technical data	360
Cable connectors	361
Receptacles	363

Interface dimensions conformable to the standards:

MIL-STD-348/302



Series C – technical data

Electrical data	Requirements
Impedance	50 Ω
Frequency range (interface)	DC to 11 GHz
Dielectric withstanding voltage (at sea level)	3 kV rms, 50 Hz
Working voltage (at sea level)	≤ 1.0 kV rms, 50 Hz
Insulation resistance	$\geq 5 \cdot 10^3$ M Ω
Contact resistance	
• Centre contact	≤ 1 m Ω
• Outer contact	≤ 1 m Ω

Mechanical data	Requirements
Durability (matings)	≥ 500

Environmental data	Requirements
Temperature range	-65 to $+165$ °C
Climatic category	IEC \rightarrow 55/155/21
Corrosion	saltspray test acc. to MIL-STD-202, method 101, condition B

Material data		
Connector parts	Material	Plating
Bodies	brass	SUCOPLATE®
Centre contacts	brass	gold/SUCOPRO® gold plating
Outer contacts	brass	SUCOPLATE®
Insulators	PTFE	
Crimp ferrules	copper	SUCOPLATE®
Gaskets	silicone rubber	

Some connectors may have a specification that differs from the above mentioned data.

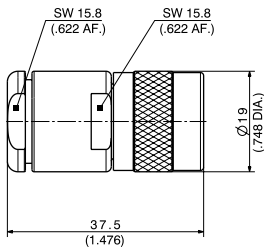
The products are designed and guaranteed to pass the above mentioned test procedures. Any additional or different requirement arising from specific applications or environmental conditions which is not covered by these test procedures is subject to request.

Series C – cable connectors

Straight cable plugs (male)

For flexible cables

- Cable entry clamp
- Centre contact soldered



HUBER+SUHNER type	Item no.	Cable group (example)	Packaging	Assembly instruction
11_C-50-7-6/133_NE	22541137	U32 (RG_214_/U)	single	3008

For flexible cables

- HUBER+SUHNER full crimp
- Taper sleeve see page 526

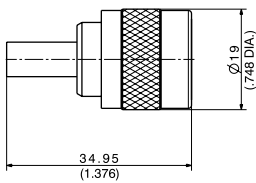


Fig. 1

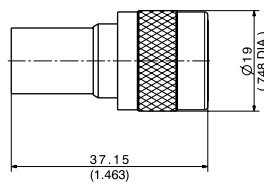


Fig. 2



HUBER+SUHNER type	Item no.	Cable group (example)	Packaging	Assembly instruction	Crimp insert	Fig.
11_C-50-3-7/133_NE	22541103	U72 (RG_58_C/U)	single	3063	2 B	1
11_C-50-3-8/133_NE	22541104	U9 (RG_223_/U)		3063	2 B	1
11_C-50-7-15/133_NE	22541144	U32, U43 (RG_214_/U)		3061	3 D	2

Series C – cable connectors

Right angle cable plugs (male)

For flexible cables

- Cable entry clamp
- Centre contact soldered

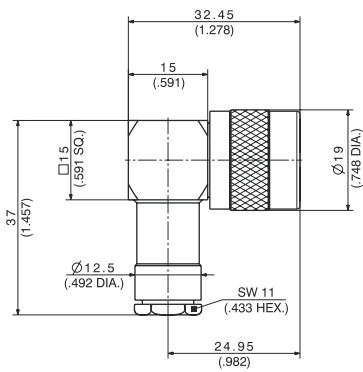


Fig. 1

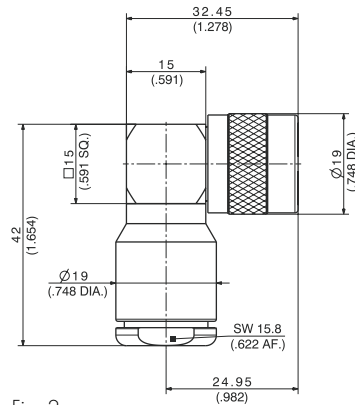


Fig. 2



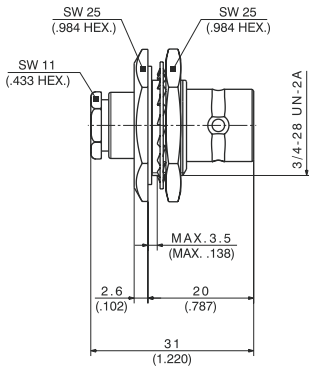
HUBER+SUHNER type	Item no.	Cable group (example)	Packaging	Assembly instruction	Fig.
16_C-50-3-3/133_NE	22642051	U9 (RG_223_/U)	single	3016	1
16_C-50-7-6/133_NE	22541185	U32 (RG_214_/U)		27166	2

Series C – receptacles

Straight bulkhead cable jacks (female)

For flexible cables

- Cable entry clamp
- Centre contact soldered



HUBER+SUHNER type	Item no.	Cable group (example)	Packaging	Assembly instruction	Mounting hole	Fig.
24_C-50-3-2/133_NE	22644448	U9 (RG_223_/U)	single	0000177464	ML 25	1

- Panel mounted

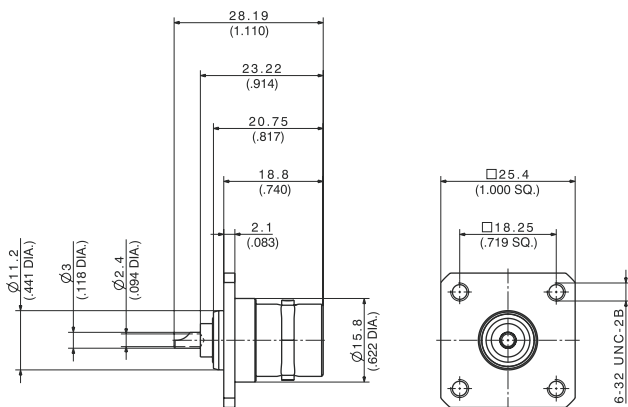


Fig. 1

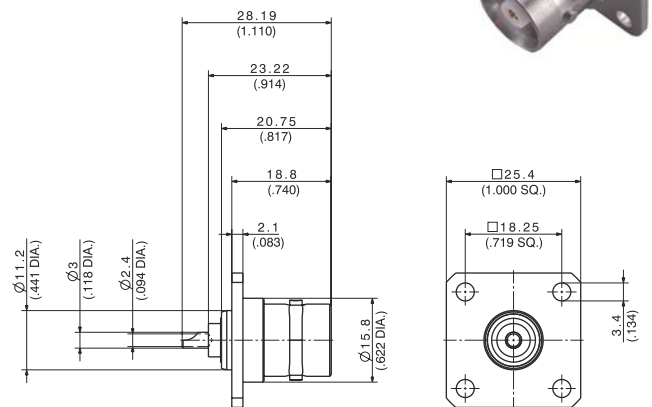


Fig. 2



HUBER+SUHNER type	Item no.	Packaging	Mounting hole	Notes	Fig.
23_C-50-0-1/133_NE	22541226	single	ML 36	flange with 4 threads	1
23_C-50-0-2/133_NE	22541230			flange with 4 holes	2