

Adaptors

HUBER+SUHNER is manufacturing a wide range of adaptors in various configurations like within series or between series, straight or angled designs and some with panel mount features. They are classified according to its typical intended applications of which each require its specific properties. There are four major

groups which are identified by means of a color code in this catalogue: standard, precision, low passive intermodulation (PIM) and quick-mate adaptors.

Standard adaptors

Features

- Wide range of different configurations
- Appropriate materials

Benefits

- Most common interfaces available
- Accurate transitions
- Effective and reliable interconnection solutions

Precision adaptors

Features

- Precision interfaces
- Excellent electrical performance
- Premium base materials and platings

Benefits

- For precision laboratory measurements
- High repeatability and accuracy

PIM adaptors

Features

- Outstanding low intermodulation performance
- Excellent electrical contacts
- Non-magnetic materials

Benefits

- High reliability
- Repeatable intermodulation measurements

Quick-mate adaptors

Features

- Adaptors with slide-on coupling mechanism
- High abrasion resistance thanks SUCOPRO® gold plating

Benefits

- Easy coupling and decoupling
- Fast and reliable measurements
- Longest lifetime

Adaptor connector matching matrix

	BMA	BNC	MBX	MCX	MFBX	MMBX	MMCX	MMPX	N	PC1.85	PC2.4	SK (2.92)	
BMA													
BNC		25		27			30		32				
MBX													
MCX		27		70					75				
MFBX													
MMBX													
MMCX		30					130						
MMPX										150		152	
N		32		75					165		167		
PC1.85								150		181			
PC2.4									167			197	
SK (2.92)								152			197	210	
PC3.5				79					169				
PC7									170				
QLA		38							171				
QMA									172				
QN									173				
SMA	18	41	63	84	104	123	141		174				
SMB		42							175				
SMC		43							176				
TNC		44				126			177				
4.1/9.5									178				
4.3-10									179				
7/16									180				

How to find an adaptor

The interface pairing of an adaptor can be found in the matrix above. The various interface services are listed in the first column and row. The matrix number is the intercept point of two interfaces (e.g. 25 for BNC to BNC). The matrix number can be found in the upper left corner of the detail adaptors information in the following pages. The adaptors are sorted by this matrix number in ascending order. Consequently all BNC to BNC adaptors have the matrix number 25 and are in immediate succession. If the adaptor consists of two different interfaces the matrix number can be found either by following the row and then the column or vice versa. For example row MCX and column BNC leads to 27 as well as row BNC and column MCX. If there is no number in an intercept point there are no adaptors for this connector pairing available.

Tracking examples

Interface pairing	matrix number
BNC to BNC	25
BNC to MCX and MCX to BNC	27

	BMA	BNC	MBX	MCX
BMA				
BNC		25		27
MBX				
MCX		27		70

	PC3.5	PC7	QLA	QMA	QN	SMA	SMB	SMC	TNC	4.1/9.5	4.3-10	7/16	
						18							BMA
			38			41	42	43	44				BNC
						63							MBX
	79					84							MCX
						104							MFBX
						123			126				MMBX
						141							MMCX
													MMPX
	169	170	171	172	173	174	175	176	177	178	179	180	N
													PC1.85
													PC2.4
													SK (2.92)
	223	224		226	227						233		PC3.5
	224				238	239			242			245	PC7
			246										QLA
	226			256		258							QMA
	227	238										272	QN
		239		258		273	274		276				SMA
						274	280						SMB
								286					SMC
		242				276			291				TNC
												297	4.1/9.5
	233											299	4.3-10
		245			272					297	299	300	7/16

Examples of detailed product information of specific adaptors

Header with color code: Standard (grey)
Precision (red)
PIM (blue)
Quick-mate (green)

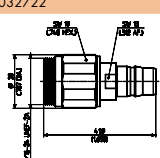
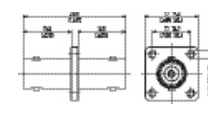
Matrix number and specific product ID

238	H+S type Item no.	33_PC7-QN-50-1/1--_NE 23032722	25	H+S type Item no.	37_BNC-75-0-1/133_NE 22541045
-----	----------------------	-----------------------------------	----	----------------------	----------------------------------

Details

- Interface series and gender
- Various characteristics
- Material/mechanical*
- VSWR

PC7 QN	jack (f)	BNC	jack (f) 2 x
El. length	41.85 mm		
Material PC7 QN	brass/gold stainless steel	Material Mounting hole Flange	brass/SUCO ML 10 4 threads
VSWR	DC - 3 GHz ≤ 1.03 3 - 6 GHz ≤ 1.05 6 - 11 GHz ≤ typ. 1.12		

Notes

* Material and plating descriptions refer to the connector body or outer contact.

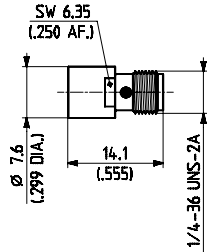
Used abbreviations: ML mounting hole dimensions, see appendix
SUCO SUCOPLATE® plating
SUPR SUCOPRO®, gold plating
CuBe copper beryllium alloy

Adaptors

18	H+S type Item no.	31_BMA-SMA_50-1/1-9_UE 22645642
----	----------------------	------------------------------------

BMA
SMA

jack (f)
jack (f)



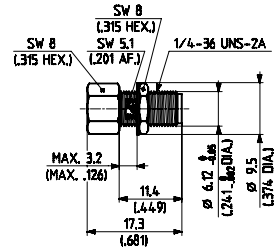
Material stainless steel

VSWR DC to 9 GHz $\leq 1.04 + 0.02 \cdot f$ (GHz)
9 to 18 GHz ≤ 1.22

18	H+S type Item no.	34_BMA-SMA-50-2/1--_UE 22645650
----	----------------------	------------------------------------

BMA
SMA

jack (f)
jack (f)



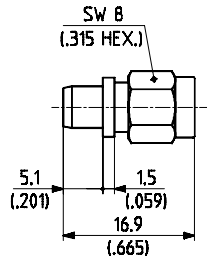
Material stainless steel
Mounting hole ML 56

VSWR DC to 18 GHz $\leq 1.05 + 0.02 \cdot f$ (GHz)

18	H+S type Item no.	32_BMA-SMA-50-1/199_UE 22645643
----	----------------------	------------------------------------

BMA
SMA

plug (m)
plug (m)



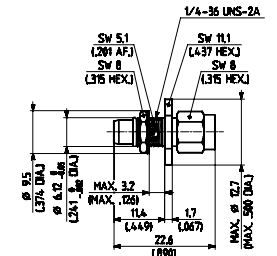
Material stainless steel

VSWR DC to 9 GHz $\leq 1.04 + 0.02 \cdot f$ (GHz)
9 to 18 GHz ≤ 1.22

18	H+S type Item no.	35_BMA-SMA-50-1/193_UE 22645647
----	----------------------	------------------------------------

BMA
SMA

plug (m)
plug (m)



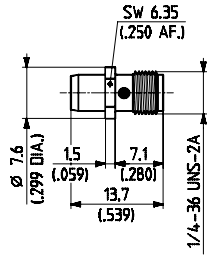
Material stainless steel
Mounting hole ML 56

VSWR DC to 18 GHz $\leq 1.07 + 0.02 \cdot f$ (GHz)

18	H+S type Item no.	33_BMA-SMA-50-1/199_UE 22645644
----	----------------------	------------------------------------

BMA
SMA

plug (m)
jack (f)



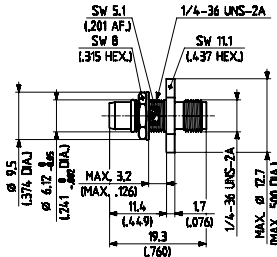
Material stainless steel

VSWR DC to 18 GHz $\leq 1.06 + 0.009 \cdot f$ (GHz)

18	H+S type Item no.	36_BMA-SMA-50-1/199_UE 22645651
----	----------------------	------------------------------------

BMA
SMA

plug (m)
jack (f)



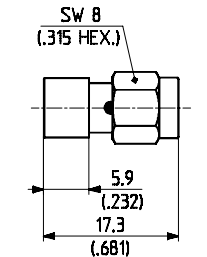
Material stainless steel
Mounting hole ML 56

VSWR DC to 18 GHz $\leq 1.03 + 0.015 \cdot f$ (GHz)

18	H+S type Item no.	33_SMA-BMA-50-1/1-9_UE 22645645
----	----------------------	------------------------------------

SMA
BMA

plug (m)
jack (f)



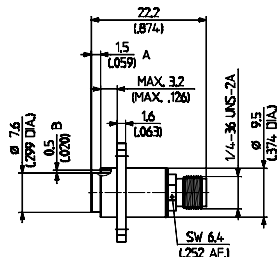
Material stainless steel

VSWR DC to 18 GHz $\leq 1.06 + 0.009 \cdot f$ (GHz)

18	H+S type Item no.	37_BMA-SMA-50-1/1--_UE 22645649
----	----------------------	------------------------------------

BMA
SMA

jack (f)
jack (f)

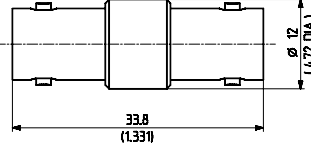


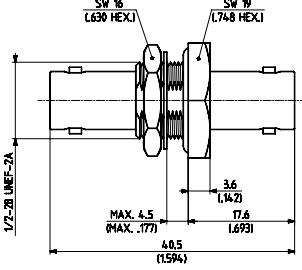
Material stainless steel
Mounting hole ML 58

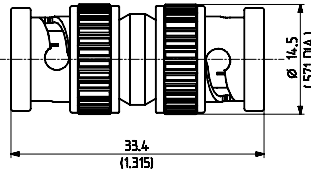
VSWR DC to 9 GHz $\leq 1.07 + 0.017 \cdot f$ (GHz)
9 to 18 GHz ≤ 1.22

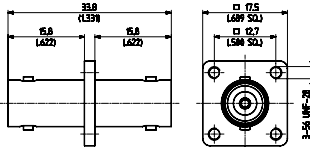
Introduction and general information on page 465 and 466/467.

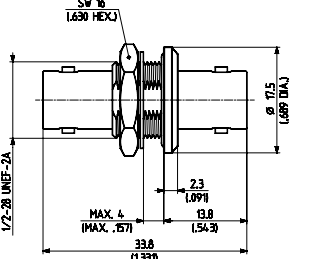
Adaptors

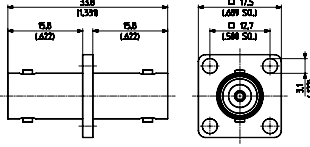
25	H+S type Item no.	31_BNC-50-0-1/133_NE 22540540
BNC	jack (f) 2 ×	
Material	brass/SUCO	
VSWR	DC to 4 GHz	$\leq 1.06 + 0.04 \cdot f(\text{GHz})$

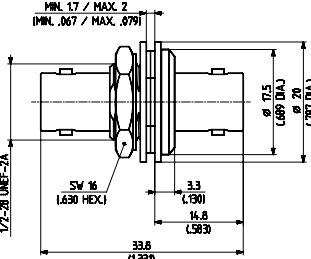
25	H+S type Item no.	34_BNC-50-0-6/100_NE 22540631
BNC	jack (f) 2 ×	
Material	CuBe/silver Mounting hole ML 4	
VSWR	DC to 4 GHz	≤ 1.43

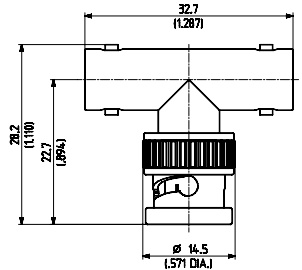
25	H+S type Item no.	32_BNC-50-0-1/133_NE 22540565
BNC	plug (m) 2 ×	
Material	brass/SUCO	
VSWR	DC to 4 GHz	$\leq 1.06 + 0.04 \cdot f(\text{GHz})$

25	H+S type Item no.	37_BNC-50-0-1/133_NE 22540635
BNC	jack (f) 2 ×	
Material	brass/SUCO Mounting hole ML 10	
VSWR	DC to 4 GHz	$\leq 1.06 + 0.04 \cdot f(\text{GHz})$

25	H+S type Item no.	34_BNC-50-0-1/133_NE 22540627
BNC	jack (f) 2 ×	
Material	brass/SUCO Mounting hole ML 4	
VSWR	DC to 1.5 GHz 1.5 to 4 GHz	≤ 1.04 $\leq 1.08 + 0.10 \cdot f(\text{GHz})$

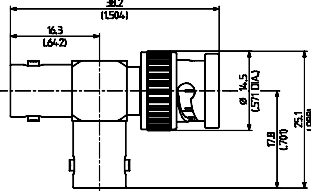
25	H+S type Item no.	37_BNC-50-0-2/133_NE 22540638
BNC	jack (f) 2 ×	
Material	brass/SUCO Mounting hole ML 10	
VSWR	DC to 4 GHz	$\leq 1.06 + 0.04 \cdot f(\text{GHz})$

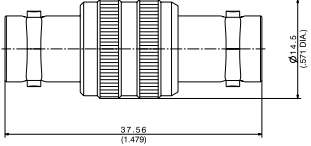
25	H+S type Item no.	34_BNC-50-0-2/133_NE 22540629
BNC	jack (f) 2 ×	
For insulated mounting		
Material	brass/SUCO Mounting hole ML 22	
VSWR	DC to 1.5 GHz 1.5 to 4 GHz	≤ 1.04 $\leq 1.08 + 0.10 \cdot f(\text{GHz})$

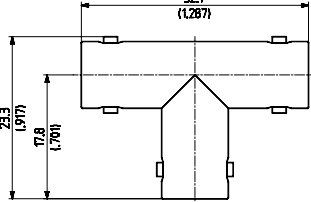
25	H+S type Item no.	43_BNC-50-0-1/133_NE 22540644
BNC	jack (f) 2 × plug (m) 1 ×	
Material	brass/SUCO	
VSWR	DC to 4 GHz	$\leq 1.06 + 0.04 \cdot f(\text{GHz})$

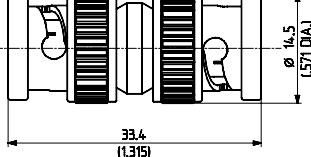
Introduction and general information on page 465 and 466/467.

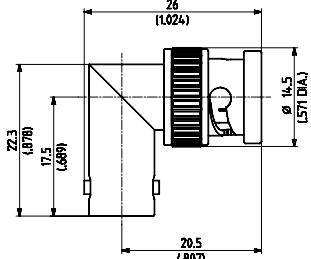
Adaptors

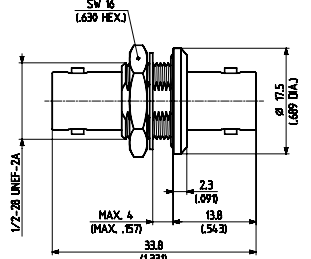
25	H+S type Item no.	45_BNC-50-0-2/133_NE 22652370
BNC	jack (f) 2 × plug (m) 1 ×	
Material	brass/SUCO	

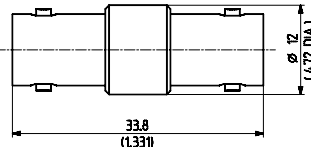
25	H+S type Item no.	31_BNC-75-0-2/133_NE 84119590
BNC	jack (f) 2 ×	
Material	brass/SUCO	

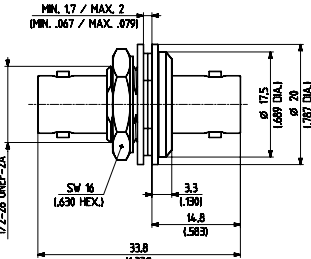
25	H+S type Item no.	46_BNC-50-0-1/133_NE 22540649
BNC	jack (f) 3 ×	
Material	brass/SUCO	

25	H+S type Item no.	32_BNC-75-0-1/133_NE 22541016
BNC	plug (m) 2 ×	
Material	brass/SUCO	

25	H+S type Item no.	53_BNC-50-0-1/133_NE 22540657
BNC	plug (m) 1 × jack (f) 1 ×	
Material	brass/SUCO	
VSWR	DC to 4 GHz	$\leq 1.06 + 0.04 \cdot f(\text{GHz})$

25	H+S type Item no.	34_BNC-75-0-1/133_NE 22541040
BNC	jack (f) 2 ×	
Material	brass/SUCO	
Mounting hole	ML 4	

25	H+S type Item no.	31_BNC-75-0-1/133_NE 22541003
BNC	jack (f) 2 ×	
Material	brass/SUCO	

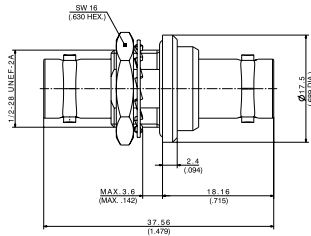
25	H+S type Item no.	34_BNC-75-0-2/133_NE 22541042
BNC	jack (f) 2 ×	
For insulated mounting		
Material	brass/SUCO	
Mounting hole	ML 22	

Introduction and general information on page 465 and 466/467.

Adaptors

25 H+S type Item no. 34_BNC-75-0-5/133_NE 84095130

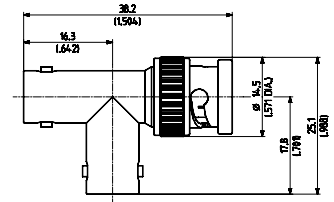
BNC jack (f) 2 ×



Material brass/SUCO
Mounting hole ML 4

25 H+S type Item no. 45_BNC-75-0-1/133_NE 22541050

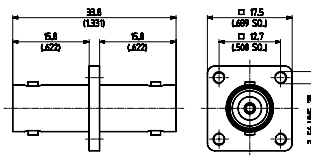
BNC jack (f) 2 ×
plug (m) 1 ×



Material brass/SUCO

25 H+S type Item no. 37_BNC-75-0-1/133_NE 22541045

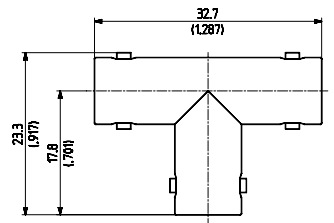
BNC jack (f) 2 ×



Material brass/SUCO
Mounting hole ML 10
Flange 4 threads

25 H+S type Item no. 46_BNC-75-0-1/133_NE 22541053

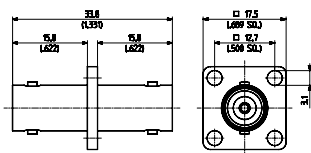
BNC jack (f) 3 ×



Material brass/SUCO

25 H+S type Item no. 37_BNC-75-0-2/133_NE 22541047

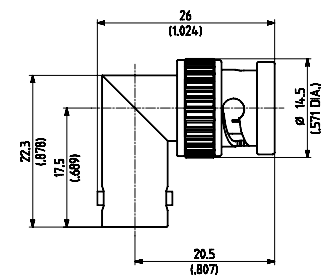
BNC jack (f) 2 ×



Material brass/SUCO
Mounting hole ML 10
Flange 4 holes

25 H+S type Item no. 53_BNC-75-0-1/133_NE 22541055

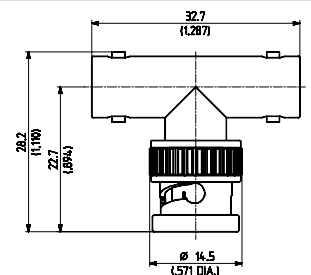
BNC plug (m)
jack (f)



Material brass/SUCO

25 H+S type Item no. 43_BNC-75-0-1/133_NE 22541049

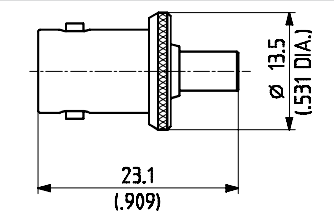
BNC jack (f) 2 ×
plug (m) 1 ×



Material brass/SUCO

27 H+S type Item no. 31_BNC-MCX-50-1/1--_UE 22543639

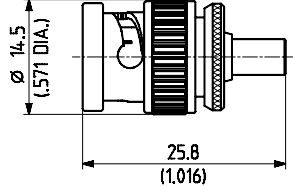
BNC jack (f)
MCX jack (f)

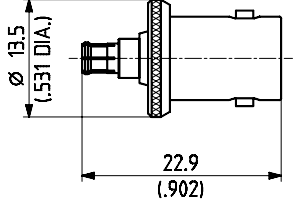


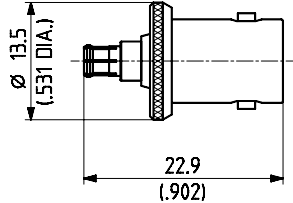
Material BNC brass/SUCO
MCX brass/gold

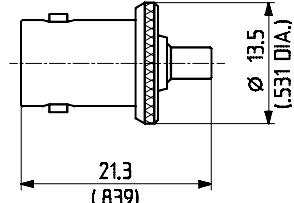
VSWR DC to 2 GHz $\leq 1.03 + 0.13 \cdot f$ (GHz)
2 to 4 GHz ≤ 1.29

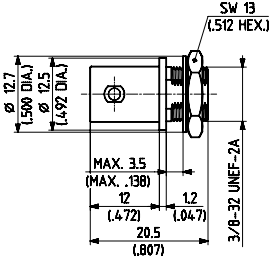
Adaptors

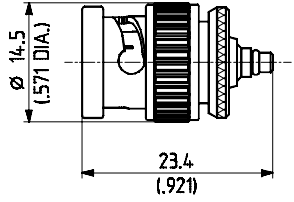
27	H+S type Item no.	33_BNC-MCX-50-1/1--_UE 22543829
BNC MCX	plug (m) jack (f)	
Material BNC MCX	brass/SUCO brass/gold	
VSWR	DC to 4 GHz	≤ 1.20

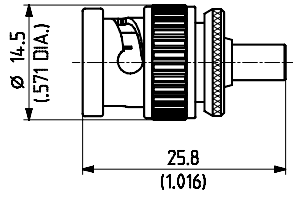
27	H+S type Item no.	33_MCX-BNC-75-1/1--_NE 22649211
MCX BNC	plug (m) jack (f)	
Material MCX BNC	CuBe/gold brass/SUCO	
VSWR	DC to 4 GHz	≤ 1.20

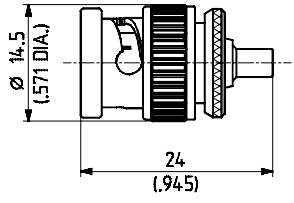
27	H+S type Item no.	33_MCX-BNC-50-1/1--_UE 22543585
MCX BNC	plug (m) jack (f)	
Material MCX BNC	CuBe/gold brass/SUCO	
VSWR:	DC to 1 GHz 1 to 4 GHz	≤ 1.04 ≤ 1.29

30	H+S type Item no.	31_BNC-MMCX-50-1/1--_UE 22645963
BNC MMCX	jack (f) jack (f)	
Material BNC MMCX	brass/SUCO brass/gold	
VSWR	DC to 4 GHz	≤ 1.05 + 0.04 • f (GHz)

27	H+S type Item no.	34_BNC-MCX-50-2/133_UE 22644912
BNC MCX	jack (f) jack (f)	
Material Mounting hole	brass/SUCO ML 2	
VSWR	DC to 4 GHz	≤ 1.03 + 0.04 • f (GHz)

30	H+S type Item no.	32_BNC-MMCX-50-1/1--_UE 22645959
BNC MMCX	plug (m) plug (m)	
Material BNC MMCX	brass/SUCO brass/gold	
VSWR	DC to 4 GHz	≤ 1.03 + 0.05 • f (GHz)

27	H+S type Item no.	33_BNC-MCX-75-1/1--_NE 22649213
BNC MCX	plug (m) jack (f)	
Material BNC MCX	brass/SUCO brass/gold	
VSWR	DC to 4 GHz	≤ 1.20

30	H+S type Item no.	33_BNC-MMCX-50-1/1--_NE 22652907
BNC MMCX	plug (m) jack (f)	
Material BNC MMCX	brass/SUCO brass/gold	
VSWR	DC to 4 GHz	≤ 1.03 + 0.05 • f (GHz)

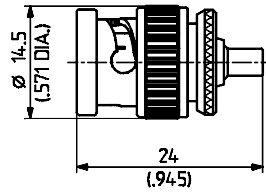
Introduction and general information on page 465 and 466/467.

Adaptors

30	H+S type Item no.	33_BNC-MMCX-50-1/1--_UE 22645964
----	----------------------	-------------------------------------

BNC
MMCX

plug (m)
jack (f)



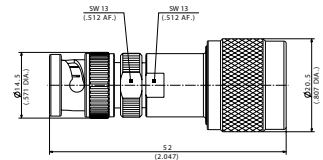
Material brass/SUCO

VSWR DC to 4 GHz $\leq 1.05 + 0.025 \cdot f$ (GHz)

32	H+S type Item no.	32_BNC-N-50-1/133_UE 22540571
----	----------------------	----------------------------------

BNC
N

plug (m)
plug (m)



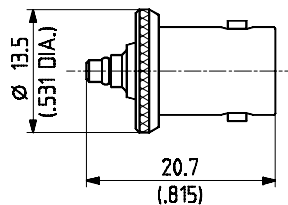
Material brass/SUCO

VSWR DC to 4 GHz $\leq 1.06 + 0.4 \cdot f$ (GHz)

30	H+S type Item no.	33_MMCX-BNC-50-1/111_UE 22645966
----	----------------------	-------------------------------------

MMCX
BNC

plug (m)
jack (f)



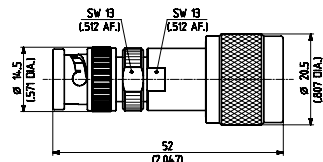
Material MMCX
BNC brass/gold
brass/SUCO

VSWR DC to 4 GHz $\leq 1.05 + 0.04 \cdot f$ (GHz)

32	H+S type Item no.	32_BNC-N-50-51/1--_UE 22544051
----	----------------------	-----------------------------------

BNC
N

plug (m)
plug (m)



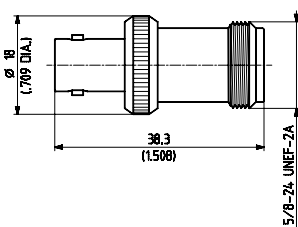
Material stainless steel

VSWR DC to 4 GHz $\leq 1.05 + 0.01 \cdot f$ (GHz)

32	H+S type Item no.	31_BNC-N-50-1/133_UE 22540549
----	----------------------	----------------------------------

BNC
N

jack (f)
jack (f)



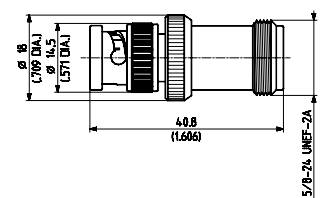
Material brass/SUCO

VSWR DC to 4 GHz ≤ 1.22

32	H+S type Item no.	33_BNC-N-50-1/133_NE 22540608
----	----------------------	----------------------------------

BNC
N

plug (m)
jack (f)



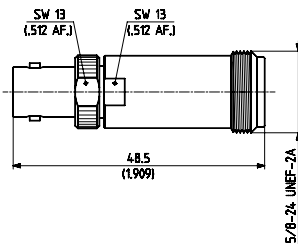
Material brass/SUCO

VSWR DC to 4 GHz $\leq 1.04 + 0.025 \cdot f$ (GHz)

32	H+S type Item no.	31_BNC-N-50-51/1--_UE 22544049
----	----------------------	-----------------------------------

BNC
N

jack (f)
jack (f)



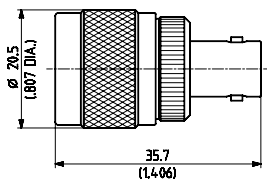
Material stainless steel

VSWR DC to 4 GHz $\leq 1.05 + 0.01 \cdot f$ (GHz)

32	H+S type Item no.	33_N-BNC-50-1/133_UE 22542414
----	----------------------	----------------------------------

N
BNC

plug (m)
jack (f)



Material brass/SUCO

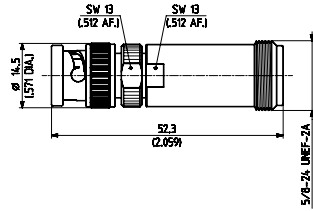
VSWR DC to 4 GHz ≤ 1.22

Introduction and general information on page 465 and 466/467.

Adaptors

32 H+S type Item no. 33_BNC-N-50-51/--_UE 22544052

BNC N plug (m) jack (f)

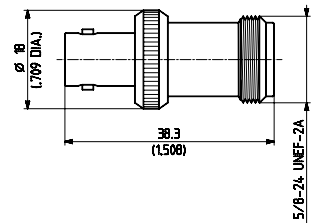


Material stainless steel

VSWR DC to 4 GHz $\leq 1.05 + 0.01 \cdot f(\text{GHz})$

32 H+S type Item no. 31_BNC-N-75-1/133_UE 22543640

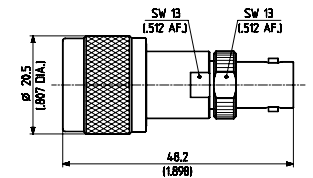
BNC N jack (f) jack (f)



Material brass/SUCO

32 H+S type Item no. 33_N-BNC-50-51/1--_UE 22544050

N BNC plug (m) jack (f)

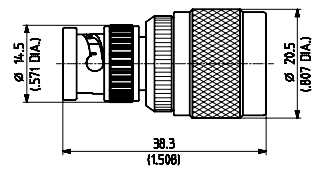


Material stainless steel

VSWR DC to 4 GHz $\leq 1.05 + 0.01 \cdot f(\text{GHz})$

32 H+S type Item no. 32_BNC-N-75-1/133_UE 22541022

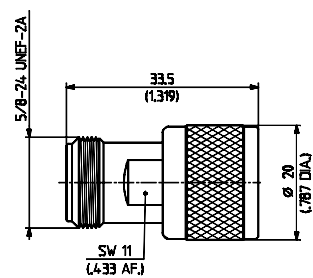
BNC N plug (m) plug (m)



Material brass/SUCO

32 H+S type Item no. 33_BNC-N-Q50-4/133_NE 23003163

BNC N plug (m) quick-mate jack (f)

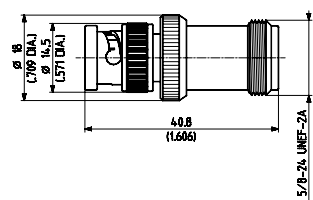


Material brass/SUCO

VSWR DC to 4 GHz ≤ 1.07

32 H+S type Item no. 33_BNC-N-75-1/133_UE 22541034

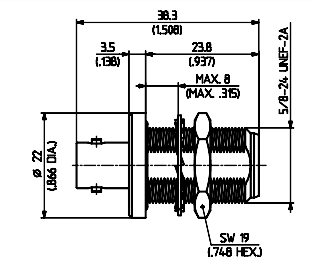
BNC N plug (m) jack (f)



Material brass/SUCO

32 H+S type Item no. 34_BNC-N-50-1/133_UE 22651055

BNC N jack (f) jack (f)

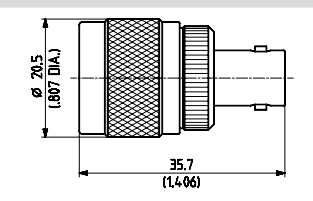


Material brass/SUCO
Mounting hole ML 12

VSWR DC to 4 GHz ≤ 1.22

32 H+S type Item no. 33_N-BNC-75-1/133_UE 22542622

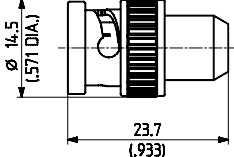
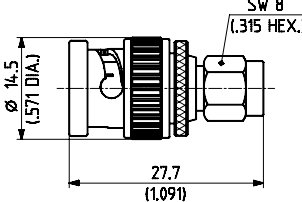
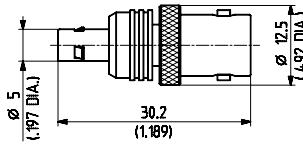
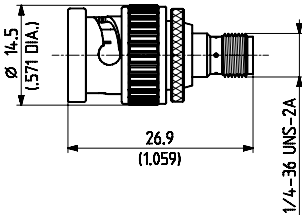
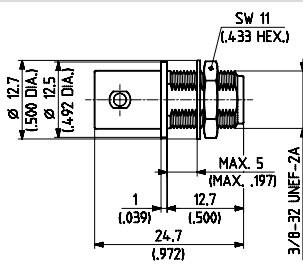
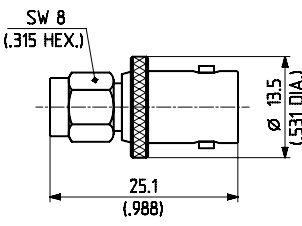
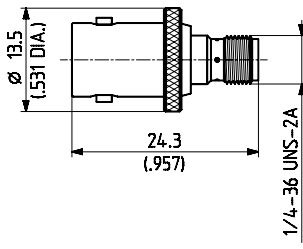
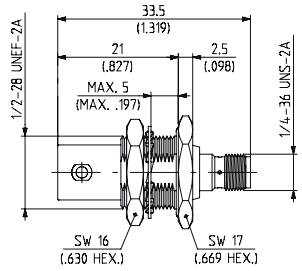
N BNC plug (m) jack (f)



Material brass/SUCO

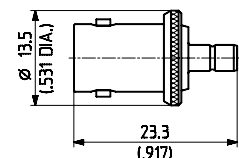
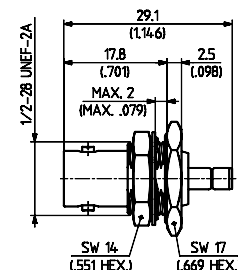
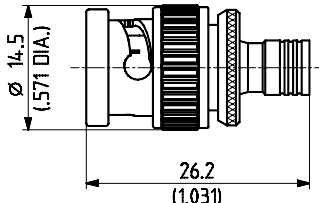
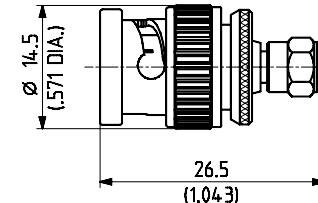
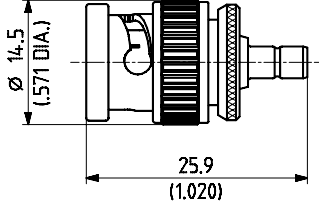
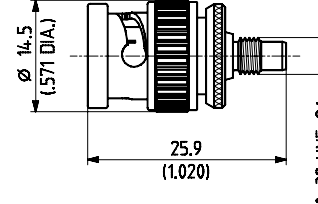
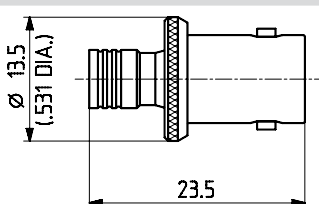
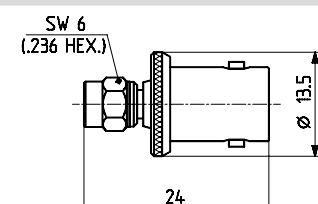
Introduction and general information on page 465 and 466/467.

Adaptors

38	H+S type Item no.	33_BNC-QLA-01-1/1--_UE 22540624	BNC QLA	plug (m) jack (f)		Material BNC QLA	brass/SUCO brass/nickel
41	H+S type Item no.	32_BNC-SMA-50-1/1--_UE 22540572	BNC SMA	plug (m) plug (m)		Material BNC SMA	brass/SUCO CuBe/gold
	VSWR	DC to 4 GHz			$\leq 1.03 + 0.03 \cdot f$ (GHz)		
38	H+S type Item no.	33_QLA-BNC-01-1/1--_NE 22640029	QLA BNC	plug (m) jack (f)		Material QLA BNC	brass/nickel brass/SUCO
41	H+S type Item no.	33_BNC-SMA-50-1/1--_UE 22540610	BNC SMA	plug (m) jack (f)		Material BNC SMA	brass/SUCO CuBe/gold
	VSWR	DC to 4 GHz			$\leq 1.03 + 0.03 \cdot f$ (GHz)		
38	H+S type Item no.	34_BNC-QLA-01-1/1--_UE 22640971	BNC QLA	jack (f) jack (f)		Material Mounting hole	brass/SUCO ML 2
41	H+S type Item no.	33_SMA-BNC-50-1/1--_NE 22640153	SMA BNC	plug (m) jack (f)		Material SMA BNC	CuBe/gold brass/SUCO
	VSWR	DC to 4 GHz			$\leq 1.05 - 0.037 \cdot f$ (GHz)		
41	H+S type Item no.	31_BNC-SMA-50-1/1--_UE 22540551	BNC SMA	jack (f) jack (f)		Material BNC SMA	brass/SUCO CuBe/gold
	VSWR	DC to 4 GHz			$\leq 1.06 + 0.04 \cdot f$ (GHz)		
41	H+S type Item no.	34_BNC-SMA-50-2/1--_UE 22651028	BNC SMA	jack (f) jack (f)		Material BNC SMA Mounting hole	brass/SUCO CuBe/gold ML 4
	VSWR	DC to 4 GHz			$\leq 1.06 - 0.03 \cdot f$ (GHz)		

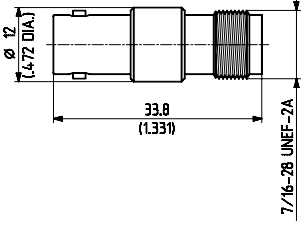
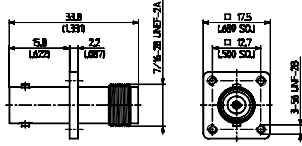
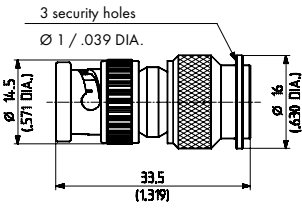
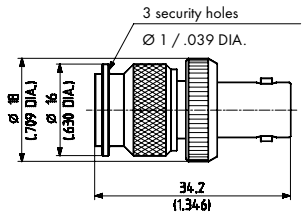
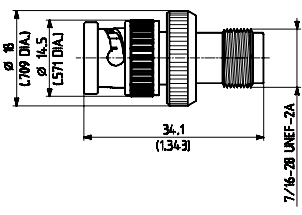
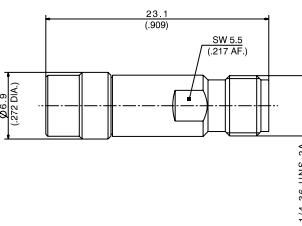
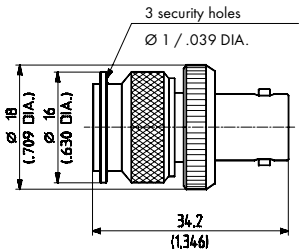
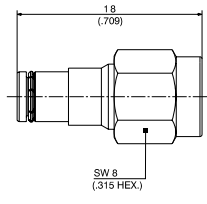
Introduction and general information on page 465 and 466/467.

Adaptors

42	H+S type Item no.	31_BNC-SMB-50-2/1--_UE 22540553	42	H+S type Item no.	34_BNC-SMB-50-1/133_NE 22659005
BNC SMB	jack (f) jack (f)		BNC SMB	jack (f) jack (f)	
Material BNC SMB	brass/SUCO brass/gold		Material Mounting hole	brass/SUCO ML 4	
VSWR	DC to 2 GHz 2 to 4 GHz:	$\leq 1.03 + 0.095 \cdot f$ (GHz) ≤ 1.22	VSWR	DC to 2 GHz 2 to 4 GHz:	≤ 1.065 ≤ 1.33
42	H+S type Item no.	32_BNC-SMB-50-2/1--_UE 22540574	43	H+S type Item no.	32_BNC-SMC-50-2/1--_NE 22540576
BNC SMB	plug (m) plug (m)		BNC SMC	plug (m) plug (m)	
Material BNC SMB	brass/SUCO brass/gold		Material BNC SMC	brass/SUCO brass/gold	
VSWR	DC to 4 GHz	≤ 1.12	VSWR	DC to 4 GHz	≤ 1.15
42	H+S type Item no.	33_BNC-SMB-50-2/1--_UE 22540612	43	H+S type Item no.	33_BNC-SMC-50-2/1--_NE 22540616
BNC SMB	plug (m) jack (f)		BNC SMC	plug (m) jack (f)	
Material BNC SMB	brass/SUCO brass/gold		Material BNC SMC	brass/SUCO brass/gold	
VSWR	DC to 4 GHz	$\leq 1.06 + 0.04 \cdot f$ (GHz)	VSWR	DC to 4 GHz	≤ 1.22
42	H+S type Item no.	33_SMB-BNC-50-2/1--_UE 22640396	43	H+S type Item no.	33_SMC-BNC-50-2/1--_NE 22640405
SMB BNC	plug (m) jack (f)		SMC BNC	plug (m) jack (f)	
Material SMB BNC	brass/gold brass/SUCO		Material SMC BNC	brass/gold brass/SUCO	
VSWR	DC to 4 GHz	$\leq 1.05 + 0.075 \cdot f$ (GHz)	VSWR	DC to 2 GHz 2 to 4 GHz:	$\leq 1.03 + 0.095 \cdot f$ (GHz) ≤ 1.22

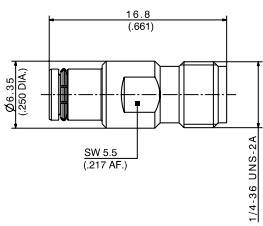
Introduction and general information on page 465 and 466/467.

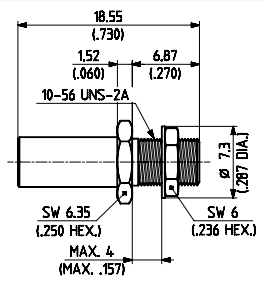
Adaptors

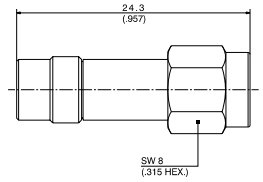
44	H+S type Item no.	31_BNC-TNC-50-1/133_UE 22540559	BNC TNC	jack (f) jack (f)		Material	brass/SUCO	44	H+S type Item no.	37_BNC-TNC-50-1/133_UE 22540639	BNC TNC	jack (f) jack (f)		Material	brass/SUCO Mounting hole ML 10	VSWR	DC to 4 GHz	≤ 1.22	VSWR	DC to 4 GHz	≤ 1.22
44	H+S type Item no.	32_BNC-TNC-50-1/133_NE 22540582	BNC TNC	plug (m) plug (m)		Material	brass/SUCO	44	H+S type Item no.	33_TNC-BNC-75-1/133_UE 22640759	TNC BNC	plug (m) jack (f)		Material		VSWR	DC to 4 GHz	≤ 1.22	VSWR	DC to 4 GHz	≤ 1.22
44	H+S type Item no.	33_BNC-TNC-50-1/133_NE 22540614	BNC TNC	plug (m) jack (f)		Material	brass/SUCO	63	H+S type Item no.	31_MBX-SMA-50-1/111_NE 84093625	MBX SMA	jack (f) jack (f)		Material	brass/SUPR	VSWR	DC to 4 GHz	≤ 1.22	VSWR	DC to 6 GHz	≤ 1.083
44	H+S type Item no.	33_TNC-BNC-50-1/133_NE 22640631	TNC BNC	plug (m) jack (f)		Material	brass/SUCO	63	H+S type Item no.	32_MBX-SMA-50-1/111_NE 84093642	MBX SMA	plug (m) plug (m)		Material	brass/SUPR	VSWR	DC to 4 GHz	≤ 1.22	VSWR	DC to 6 GHz	≤ 1.083

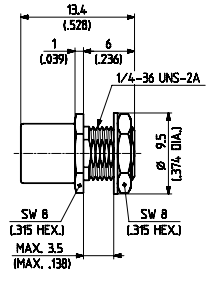
Introduction and general information on page 465 and 466/467.

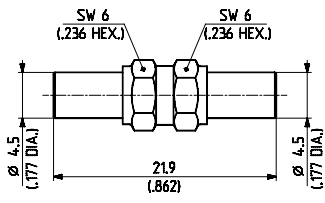
Adaptors

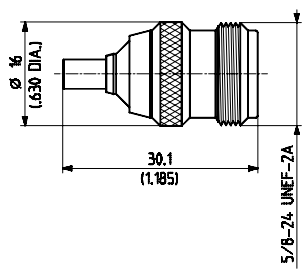
63	H+S type Item no.	33_MBX-SMA-50-1/111_NE 84093656
MBX SMA	plug (m) jack (f)	
Material	brass/SUPR	
VSWR	DC to 6 GHz	≤ 1.083

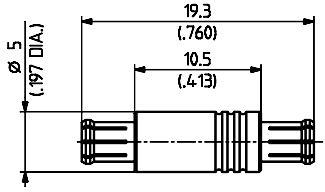
70	H+S type Item no.	34_MCX-50-0-2/111_NE 22649868
MCX	jack (f) 2 ×	
Material	brass/gold	
Mounting hole	ML 35	
VSWR	DC to 1.5 GHz	≤ 1.06
	1.5 to 6 GHz	≤ 1.22

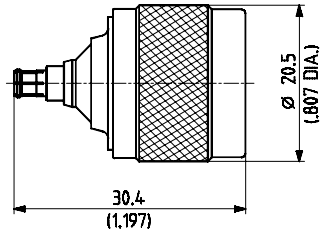
63	H+S type Item no.	33_SMA-MBX-50-1/11-NE 84093662
SMA MBX	plug (m) jack (f)	
Material	brass/SUPR	
VSWR	DC to 6 GHz	≤ 1.083

70	H+S type Item no.	34_MCX-75-0-1/111_NE 22649382
MCX	jack (f) 2 ×	
Material	brass/gold	
Mounting hole	ML 35	
VSWR	DC to 6 GHz	≤ 1.03 + 0.05 · f (GHz)

70	H+S type Item no.	31_MCX-50-0-1/111_NE 22543558
MCX	jack (f) 2 ×	
Material	brass/gold	
VSWR	DC to 1 GHz	≤ 1.05
	1 to 6 GHz	≤ 1.22

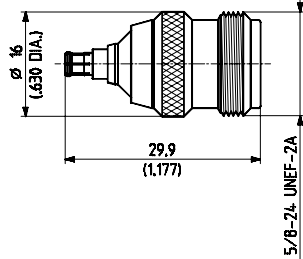
75	H+S type Item no.	31_MCX-N-50-1/1--_UE 22640172
MCX N	jack (f) jack (f)	
Material	brass/gold brass/SUCO	
VSWR	DC to 6 GHz	≤ 1.03 + 0.05 · f (GHz)

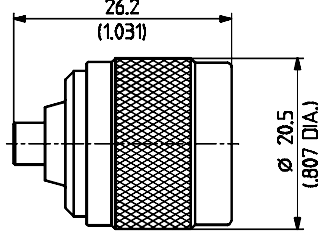
70	H+S type Item no.	32_MCX-50-0-3/111_NE 22653002
MCX	plug (m) 2 ×	
Material	brass/gold	
VSWR	DC to 1.5 GHz	≤ 1.06
	1.5 to 6 GHz	≤ 1.22

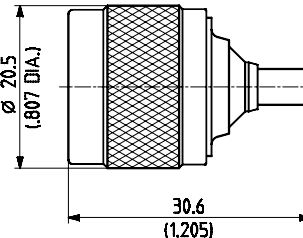
75	H+S type Item no.	32_MCX-N-50-1/1--_UE 22543584
MCX N	plug (m) plug (m)	
Material	CuBe/gold brass/SUCO	
VSWR	DC to 6 GHz	≤ 1.03 + 0.05 · f (GHz)

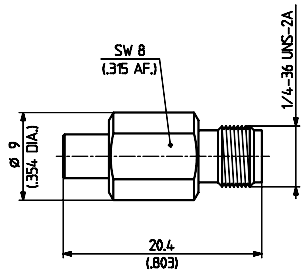
Introduction and general information on page 465 and 466/467.

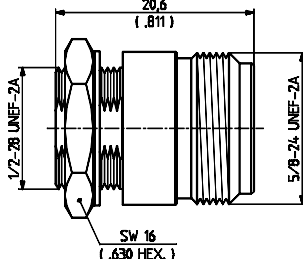
Adaptors

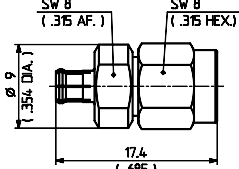
75	H+S type Item no.	33_MCX-N-50-1/1--_UE 22543586
MCX N	plug (m) jack (f)	
Material	MCX N	CuBe/gold brass/SUCO
VSWR	DC to 6 GHz	$\leq 1.03 + 0.035 \cdot f(\text{GHz})$

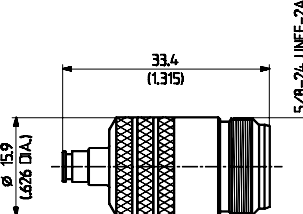
75	H+S type Item no.	33_N-MCX-75-1/1--_NE 22649214
N MCX	plug (m) jack (f)	
Material	N MCX	brass/SUCO brass/gold

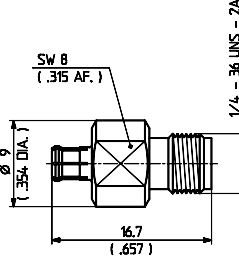
75	H+S type Item no.	33_N-MCX-50-1/1--_UE 22543796
N MCX	plug (m) jack (f)	
Material	N MCX	brass/SUCO brass/gold
VSWR	DC to 6 GHz	$\leq 1.03 + 0.03 \cdot f(\text{GHz})$

79	H+S type Item no.	31_MCX-PC35-50-1/111_NE 22651593
MCX PC3.5	jack (f) jack (f)	
Material		CuBe/SUPR
VSWR	DC to 3 GHz 3 to 6 GHz:	≤ 1.065 ≤ 1.09

75	H+S type Item no.	34_MCX-N-50-1/133_UE 22646217
MCX N	jack (f) jack (f)	
Material	Mounting hole	brass/SUCO ML 4
VSWR	DC to 6 GHz	$\leq 1.08 + 0.02 \cdot f(\text{GHz})$

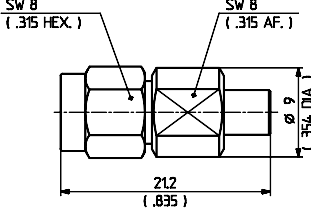
79	H+S type Item no.	32_MCX-PC35-50-1/111_NE 22651600
MCX PC3.5	plug (m) plug (m)	
Material		CuBe/SUPR
VSWR	DC to 3.5 GHz: 3.5 to 6 GHz:	≤ 1.07 ≤ 1.09

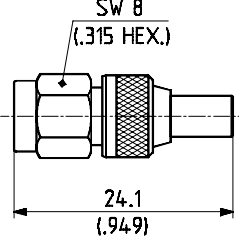
75	H+S type Item no.	31_MCX-N-75-10/133_NE 22651488
MCX N	jack (f) jack (f)	
Material	MCX N	CuBe/SUCO brass/SUCO
VSWR	DC to 3 GHz	≤ 1.07

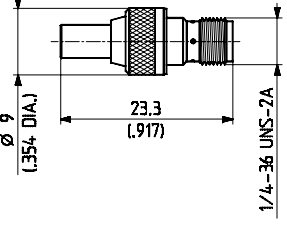
79	H+S type Item no.	33_MCX-PC35-50-1/111_NE 22651594
MCX PC3.5	plug (m) jack (f)	
Material		CuBe/SUPR
VSWR	DC to 3.5 GHz: 3.5 to 6 GHz:	≤ 1.065 ≤ 1.094

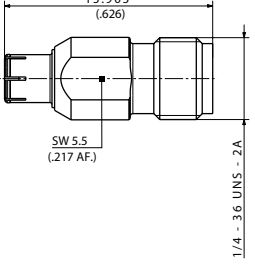
Introduction and general information on page 465 and 466/467.

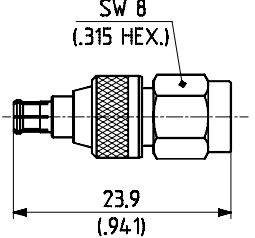
Adaptors

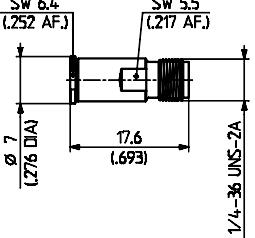
79	H+S type Item no.	33_PC35-MCX-50-1/111_NE 22651599
PC3.5 MCX	plug (m) jack (f)	
Material	CuBe/SUPR	
VSWR	DC to 3.5 GHz 3.5 to 6 GHz	≤ 1.065 ≤ 1.094

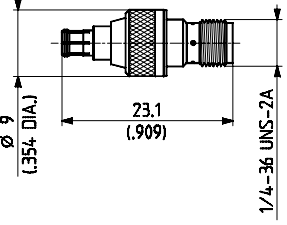
84	H+S type Item no.	33_SMA-MCX-50-1/111_NE 22645488
SMA MCX	plug (m) jack (f)	
Material	CuBe/gold brass/gold	
VSWR	DC to 6 GHz	≤ 1.03 + 0.03 • f (GHz)

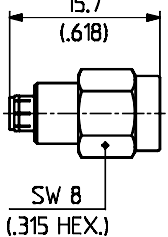
84	H+S type Item no.	31_MCX-SMA-50-1/111_NE 22645485
MCX SMA	jack (f) jack (f)	
Material	brass/gold CuBe/gold	
VSWR	DC to 6 GHz	≤ 1.03 + 0.03 • f (GHz)

104	H+S type Item no.	33_MFBX-SMA-50-1/111_NE 85008501
MFBX SMA	plug (m) jack (f)	
Material	CuBe/SUPR CuBe/SUPR	
VSWR	DC to 3.5 GHz	≤ 1.07

84	H+S type Item no.	32_MCX-SMA-50-1/111_NE 22645486
MCX SMA	plug (m) plug (m)	
Material	brass/gold CuBe/gold	
VSWR	DC to 6 GHz	≤ 1.03 + 0.03 • f (GHz)

123	H+S type Item no.	31_MMBX-SMA-50-1/111_NE 23004933
MMBX SMA	jack (f) jack (f)	
Material	brass/SUPR CuBe/SUPR	
VSWR	DC to 2.5 GHz 2.5 to 6 GHz 6 to 12.4 GHz	≤ 1.05 ≤ 1.06 ≤ 1.35

84	H+S type Item no.	33_MCX-SMA-50-1/111_UE 22645487
MCX SMA	plug (m) jack (f)	
Material	CuBe/gold	
VSWR	DC to 6 GHz	≤ 1.03 + 0.03 • f (GHz)

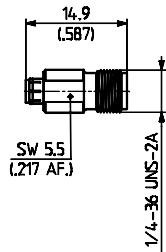
123	H+S type Item no.	32_MMBX-SMA-50-1/119_NE 23004934
MMBX SMA	plug (m) plug (m)	
Material	CuBe/SUPR	
VSWR	DC to 2.5 GHz 2.5 to 6 GHz 6 to 12.4 GHz	≤ 1.05 ≤ 1.06 ≤ 1.35

Introduction and general information on page 465 and 466/467.

Adaptors

123	H+S type Item no.	33_MMBX-SMA-50-1/111_NE 23004937
-----	----------------------	-------------------------------------

MMBX
SMA plug (m)
jack (f)

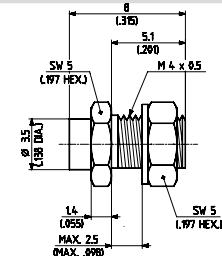


Material CuBe/SUPR

VSWR DC to 2.5 GHz ≤ 1.05
2.5 to 6 GHz ≤ 1.06
6 to 12.4 GHz ≤ 1.35

130	H+S type Item no.	34_MMCX-50-0-1/111_OE 22650516
-----	----------------------	-----------------------------------

MMCX jack (f) 2 ×

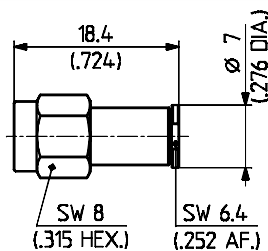


Material brass/gold
Mounting hole ML 88

VSWR DC to 1.5 GHz: ≤ 1.06
1.5 to 6 GHz ≤ 1.22

123	H+S type Item no.	33_SMA-MMBX-50-1/119_NE 23004935
-----	----------------------	-------------------------------------

SMA
MMBX plug (m)
jack (f)

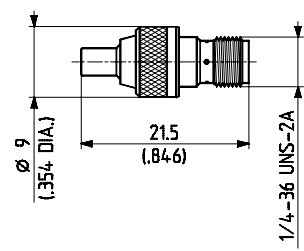


Material SMA CuBe/SUPR
MMBX brass/SUPR

VSWR DC to 2.5 GHz ≤ 1.05
2.5 to 6 GHz ≤ 1.06
6 to 12.4 GHz ≤ 1.35

141	H+S type Item no.	31_MMCX-SMA-50-1/111_OE 22645961
-----	----------------------	-------------------------------------

MMCX
SMA jack (f)
jack (f)

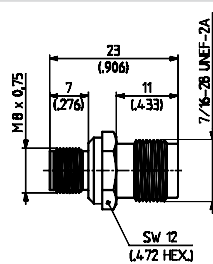


Material MMCX brass/gold
SMA CuBe/SUPR

VSWR DC to 2.5 GHz ≤ 1.10
2.5 to 6 GHz ≤ 1.18

126	H+S type Item no.	34_MMBX-TNC-50-1/1-3_NE 23014297
-----	----------------------	-------------------------------------

MMBX
TNC jack (f)
jack (f)

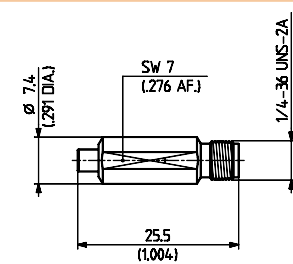


Material brass/SUCO

VSWR DC to 5 GHz ≤ 1.3

141	H+S type Item no.	31_MMCX-SMA-50-2/111_NE 22658201
-----	----------------------	-------------------------------------

MMCX
SMA jack (f)
jack (f)

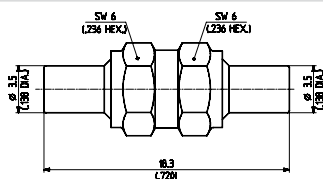


Material CuBe/SUPR

VSWR DC to 3.5 GHz: ≤ 1.07
3.5 to 6 GHz ≤ 1.09

130	H+S type Item no.	31_MMCX-50-0-1/111_OE 22645960
-----	----------------------	-----------------------------------

MMCX jack (f) 2 ×

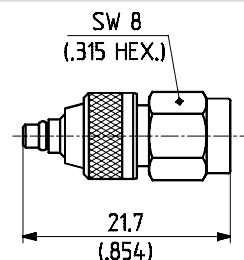


Material brass/gold

VSWR DC to 3 GHz ≤ 1.10
3 to 6 GHz ≤ 1.28

141	H+S type Item no.	32_MMCX-SMA-50-1/111_OE 22645967
-----	----------------------	-------------------------------------

MMCX
SMA plug (m)
plug (m)



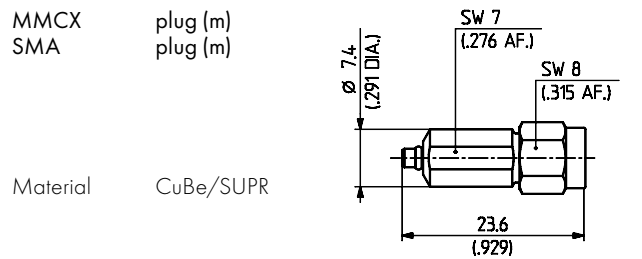
Material MMCX brass/gold
SMA CuBe/gold

VSWR DC to 2.5 GHz ≤ 1.10
2.5 to 6 GHz ≤ 1.18

Introduction and general information on page 465 and 466/467.

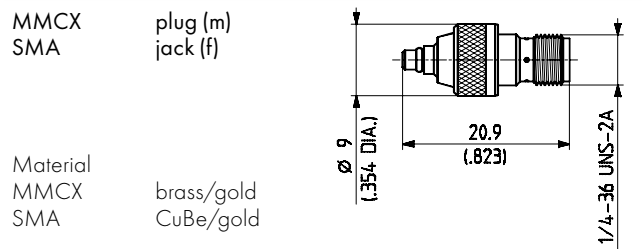
Adaptors

141	H+S type Item no.	32_MMCX-SMA-50-2/111_NE 22658202
-----	----------------------	-------------------------------------



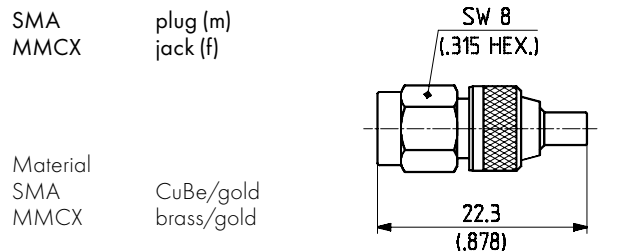
VSWR	DC to 3.5 GHz 3.5 to 6 GHz	≤ 1.07 ≤ 1.09
------	-------------------------------	------------------

141	H+S type Item no.	33_MMCX-SMA-50-1/111_UE 22645970
-----	----------------------	-------------------------------------



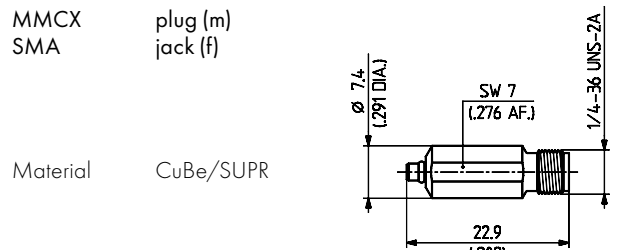
VSWR	DC to 2.5 GHz 2.5 to 6 GHz	≤ 1.10 ≤ 1.18
------	-------------------------------	------------------

141	H+S type Item no.	33_SMA-MMCX-50-1/111_NE 22645969
-----	----------------------	-------------------------------------



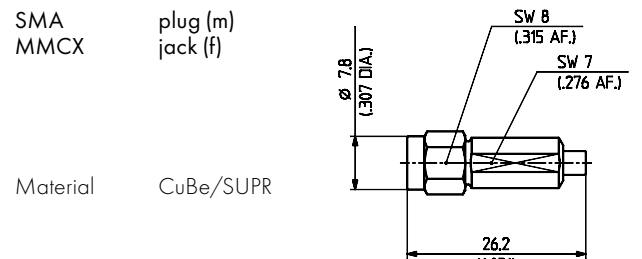
VSWR	DC to 2.5 GHz 2.5 to 6 GHz	≤ 1.10 ≤ 1.18
------	-------------------------------	------------------

141	H+S type Item no.	33_MMCX-SMA-50-2/111_NE 22658203
-----	----------------------	-------------------------------------



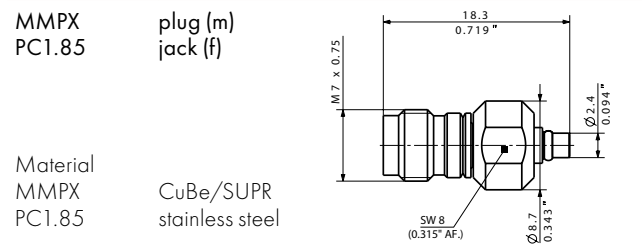
VSWR	DC to 3.5 GHz 3.5 to 6 GHz	≤ 1.065 ≤ 1.094
------	-------------------------------	--------------------

141	H+S type Item no.	33_SMA-MMCX-50-2/111_NE 22658204
-----	----------------------	-------------------------------------



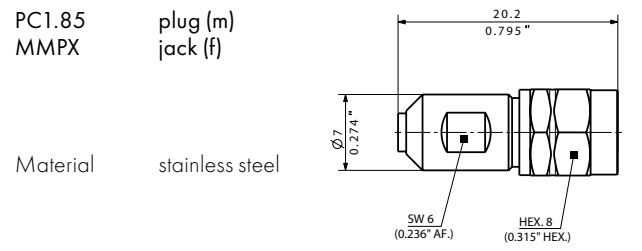
VSWR	DC to 3.5 GHz 3.5 to 6 GHz	≤ 1.065 ≤ 1.094
------	-------------------------------	--------------------

150	H+S type Item no.	33_MMPX-PC185-50-2/1--_NE 84132754
-----	----------------------	---------------------------------------



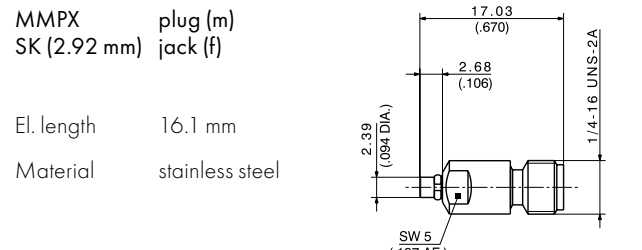
VSWR	DC to 15 GHz 15 to 65 GHz	≤ 1.106 ≤ 1.173
------	------------------------------	--------------------

150	H+S type Item no.	33_PC185-MMPX-50-2/199_NE 84132750
-----	----------------------	---------------------------------------



VSWR	DC to 15 GHz 15 to 65 GHz	≤ 1.106 ≤ 1.173
------	------------------------------	--------------------

152	H+S type Item no.	33_MMPX-SK-50-1/199_NE 84071648
-----	----------------------	------------------------------------



VSWR	DC to 15 GHz: 15 to 30 GHz: 30 to 40 GHz:	≤ 1.105 ≤ 1.152 ≤ 1.222
------	---	-------------------------------

Introduction and general information on page 465 and 466/467.

Adaptors

152	H+S type Item no.	33_SK-MMPX-50-1/199_NE 84071696
SK (2.92 mm) MMPX	plug (m) jack (f)	
El. length	16.1 mm	
Material	stainless steel	
VSWR	DC to 15 GHz 15 to 30 GHz 30 to 40 GHz	≤ 1.105 ≤ 1.152 ≤ 1.222

165	H+S type Item no.	32_N-50-0-51/193_NE 22652113
N	plug (m) 2 ×	
Material	stainless steel	
VSWR	DC to 18 GHz	≤ 1.03 + 0.01 • f (GHz)

165	H+S type Item no.	31_N-50-0-2/133_NE 22542382
N	jack (f) 2 ×	
Material	brass/SUCO	
VSWR	DC to 2 GHz 2 to 8 GHz 8 to 12.4 GHz	≤ 1.07 ≤ 1.43 ≤ 1.92

165	H+S type Item no.	33_N-Q50-0-4/133_NE 22660297
N	plug (m) quick-mate jack (f)	
Material	brass/SUCO	
VSWR	DC to 5 GHz 5 to 8 GHz 8 to 11 GHz	≤ 1.07 ≤ 1.22 ≤ 1.28

165	H+S type Item no.	31_N-50-0-51/199_NE 22652112
N	jack (f) 2 ×	
Material	stainless steel	
VSWR	DC to 18 GHz	≤ 1.03 + 0.01 • f (GHz)

165	H+S type Item no.	33_N-50-0-7/133_NE 23014355
N	plug (m) 1 × jack (f) 1 ×	
Material	brass/SUCO	
VSWR	DC to 18 GHz	≤ 1.03 + 0.05 • f (GHz)

165	H+S type Item no.	32_N-50-0-1/133_NE 22542398
N	plug (m) 2 ×	
Material	brass/SUCO	
VSWR	DC to 9 GHz 9 to 12 GHz	≤ 1.06 + 0.04 • f (GHz) ≤ 1.40

165	H+S type Item no.	33_N-Q50-0-14/133_NE 23003160
N	plug (m) quick-mate jack (f)	
Material	brass/SUCO	
VSWR	DC to 4 GHz 4 to 8 GHz	≤ 1.12 ≤ 1.22

Introduction and general information on page 465 and 466/467.

Adaptors

165	H+S type Item no.	33_N-50-0-51/193_NE 22652114
N	plug (m) jack (f)	
Material	stainless steel	
VSWR	DC to 18 GHz	$\leq 1.03 + 0.01 \cdot f(\text{GHz})$

165	H+S type Item no.	34_N-50-0-51/193_NE 22544593
N	jack (f) 2 ×	
Material	stainless steel	
Mounting hole	ML 12	
VSWR	DC to 18 GHz	$\leq 1.03 + 0.01 \cdot f(\text{GHz})$

165	H+S type Item no.	33_N-50-0-52/199_UE 22648921
N	plug (m) jack (f)	
Quick-screw (male side)		
Material	stainless steel	
VSWR	DC to 18 GHz	$\leq 1.03 + 0.01 \cdot f(\text{GHz})$

165	H+S type Item no.	37_N-50-0-1/133_NE 22542437
N	jack (f) 2 ×	
Material	brass/SUCO	
Mounting hole	ML 14	
VSWR	DC to 12.4 GHz	$\leq 1.19 + 0.06 \cdot f(\text{GHz})$

165	H+S type Item no.	34_N-50-0-1/133_NE 22542435
N	jack (f) 2 ×	
Material	brass/SUCO	
Mounting hole	ML 12	
VSWR	DC to 12.4 GHz	$\leq 1.06 + 0.17 \cdot f(\text{GHz})$

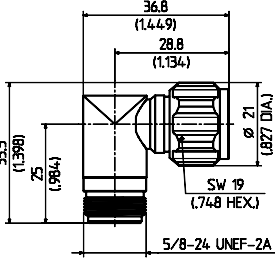
165	H+S type Item no.	43_N-50-0-1/133_NE 22542442
N	jack (f) 2 × plug (m) 1 ×	
Material	brass/SUCO	
VSWR	DC to 12.4 GHz	$\leq 1.06 + 0.17 \cdot f(\text{GHz})$

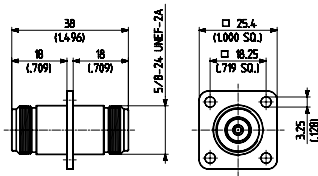
165	H+S type Item no.	34_N-50-0-3/133_NE 22642946
N	jack (f) 2 ×	
Hermetic sealed		
Material	brass/SUCO	
Mounting hole	ML 12	
VSWR	DC to 11 GHz	$\leq 1.08 + 0.13 \cdot f(\text{GHz})$

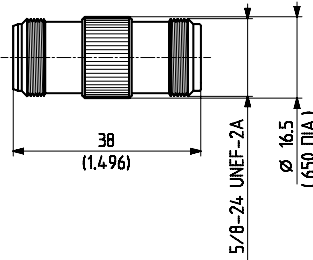
165	H+S type Item no.	46_N-50-0-1/133_NE 22542445
N	jack (f) 3 ×	
Material	brass/SUCO	
VSWR	DC to 11 GHz	$\leq 1.08 + 0.13 \cdot f(\text{GHz})$

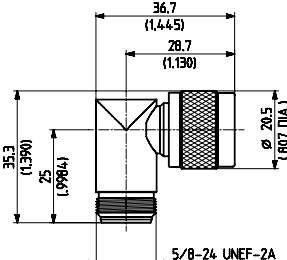
Introduction and general information on page 465 and 466/467.

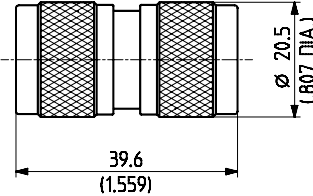
Adaptors

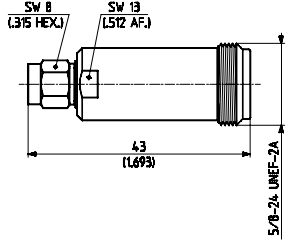
165	H+S type Item no.	53_N-50-0-4/133_NE 22651447
N	plug (m) jack (f)	
Material	brass/SUCO	
VSWR	DC to 2 GHz	≤ 1.08
	2 to 6 GHz	≤ 1.22
	6 to 8 GHz	≤ 1.29

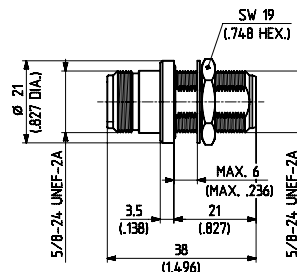
165	H+S type Item no.	37_N-75-0-1/133_NE 22542633
N	jack (f) 2 ×	
Material	brass/SUCO Mounting hole ML 14	

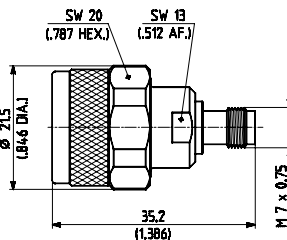
165	H+S type Item no.	31_N-75-0-2/133_NE 22542612
N	jack (f) 2 ×	
Material	brass/SUCO	

165	H+S type Item no.	53_N-75-0-4/133_NE 22651799
N	plug (m) jack (f)	
Material	brass/SUCO	

165	H+S type Item no.	32_N-75-0-1/133_NE 22542618
N	plug (m) 2 ×	
Material	brass/SUCO	

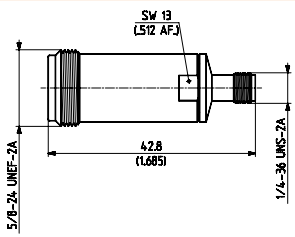
167	H+S type Item no.	33_PC24-N-50-1/199_UE 22650021
PC2.4 N	plug (m) jack (f)	
Material	stainless steel	
VSWR	DC to 10 GHz	≤ 1.05
	10 to 18 GHz	≤ 1.08

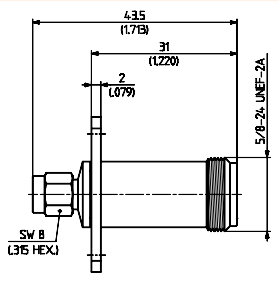
165	H+S type Item no.	34_N-75-0-1/133_NE 22542631
N	jack (f) 2 ×	
Material	brass/SUCO Mounting hole ML 12	

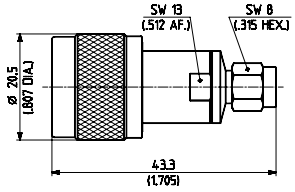
167	H+S type Item no.	33_N-PC24-50-1/199_UE 22649932
N PC2.4	plug (m) jack (f)	
Material	stainless steel	
VSWR	DC to 10 GHz	≤ 1.05
	10 to 18 GHz	≤ 1.08

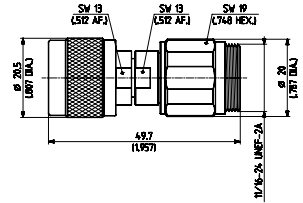
Introduction and general information on page 465 and 466/467.

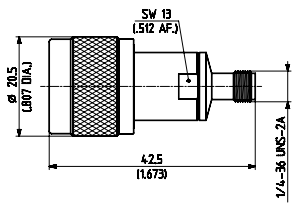
Adaptors

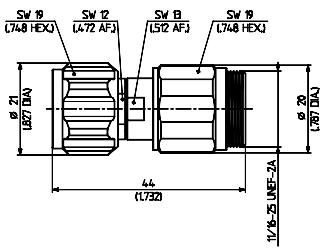
169	H+S type Item no.	31_N-PC35-50-1/1--_UE 22643960
N PC3.5	jack (f) jack (f)	
Material	stainless steel	
VSWR	DC to 12.4 GHz ≤ 1.10 12.4 to 18 GHz ≤ 1.15	

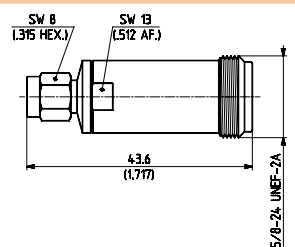
169	H+S type Item no.	39_PC35-N-50-1/1--_UE 22660363
PC3.5 N	plug (m) jack (f)	
Material	stainless steel	
VSWR	DC to 12.4 GHz ≤ 1.10 12.4 to 18 GHz ≤ 1.15	

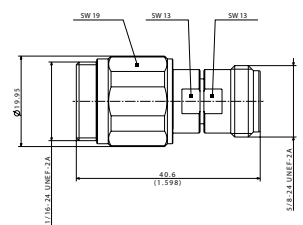
169	H+S type Item no.	32_N-PC35-50-1/1--_UE 22643957
N PC3.5	plug (m) plug (m)	
Material	stainless steel	
VSWR	DC to 12.4 GHz ≤ 1.10 12.4 to 18 GHz ≤ 1.15	

170	H+S type Item no.	32_N-PC7-50-1/1--_UE 22543571
N PC7	plug (m)	
Material	N: stainless steel PC7: brass/gold	
VSWR	DC to 18 GHz ≤ 1.02 + 0.002 • f (GHz)	

169	H+S type Item no.	33_N-PC35-50-1/1--_UE 22643959
N PC3.5	plug (m) jack (f)	
Material	stainless steel	
VSWR	DC to 12.4 GHz ≤ 1.10 12.4 to 18 GHz ≤ 1.15	

170	H+S type Item no.	32_N-PC7-50-6/1--_NE 23032917
N PC7	plug (m)	
El. length	41.85 mm	
Material	N: stainless steel PC7: brass/gold	
VSWR	DC to 3 GHz ≤ 1.03 3 to 6 GHz ≤ 1.05 6 to 11 GHz ≤ typ. 1.12	

169	H+S type Item no.	33_PC35-N-50-1/1--_UE 22643958
PC3.5 N	plug (m) jack (f)	
Material	stainless steel	
VSWR	DC to 12.4 GHz ≤ 1.10 12.4 to 18 GHz ≤ 1.15	

170	H+S type Item no.	33_PC7-N-50-1/1--_UE 22543547
PC7 N	jack (f)	
Material	PC7: brass/gold N: stainless steel	
VSWR	DC to 18 GHz ≤ 1.02 + 0.002 • f (GHz)	

Introduction and general information on page 465 and 466/467.

Adaptors

170	H+S type Item no.	33_PC7-N-50-5/-33_NE 23004036
PC7 N	jack (f)	
Material PC7 N	brass/gold stainless steel	
VSWR	DC to 18 GHz	$\leq 1.03 + 0.002 \cdot f \text{ (GHz)}$

172	H+S type Item no.	33_QMA-N-50-1/133_NE 23023143
QMA N	plug (m) jack (f)	
Material	brass/SUCO	
VSWR	DC to 6 GHz	≤ 1.04

170	H+S type Item no.	33_PC7-N-50-6/1--_NE 23032916
PC7 N	jack (f)	
El. length	41.85 mm	
Material PC7 N	brass/gold stainless steel	
VSWR	DC to 3 GHz 3 to 6 GHz 6 to 11 GHz	≤ 1.03 ≤ 1.05 $\leq \text{typ. } 1.12$

172	H+S type Item no.	33_N-QMA-50-1/133_NE 23024265
N QMA	plug (m) jack (f)	
Material	brass/SUCO	
VSWR	DC to 6 GHz	≤ 1.04

171	H+S type Item no.	33_N-QLA-01-1/1--_NE 22542431
N QLA	plug (m) jack (f)	
Material N QLA	brass/SUCO brass/nickel	

173	H+S type Item no.	31_N-QN-50-1/133_NE 84016830
N QN	jack (f) jack (f)	
Material	brass/SUCO	
VSWR	DC to 2 GHz 2 to 6 GHz 6 to 11 GHz	≤ 1.05 ≤ 1.3 ≤ 1.5

172	H+S type Item no.	31_N-QMA-50-1/1--_NE 23027960
N QMA	jack (f) jack (f)	
Material	stainless steel	
VSWR	DC to 2.5 GHz 2.5 to 6 GHz	≤ 1.036 ≤ 1.135

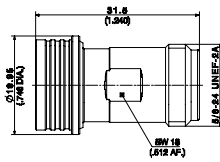
173	H+S type Item no.	32_N-QN-50-1/133_NE 23033962
N QN	plug (m) plug (m)	
Material	brass/SUCO	
VSWR	DC to 4 GHz 4 to 8 GHz 8 to 10 GHz	≤ 1.035 ≤ 1.06 ≤ 1.22

Introduction and general information on page 465 and 466/467.

Adaptors

173	H+S type Item no.	33_QN-N-50-1/133_NE 23036033
-----	----------------------	---------------------------------

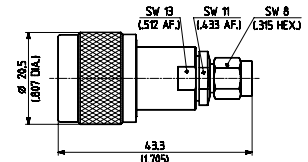
QN
N plug (m)
jack (f)



Material brass/SUCO

174	H+S type Item no.	32_N-SMA-50-51/1--_UE 22543916
-----	----------------------	-----------------------------------

N SMA plug (m)
plug (m)

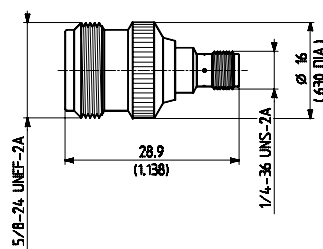


Material N stainless steel
SMA CuBe/gold

VSWR DC to 18 GHz $\leq 1.025 + 0.007 \cdot f$ (GHz)

174	H+S type Item no.	31_N-SMA-50-1/1--_UE 22542386
-----	----------------------	----------------------------------

N SMA jack (f)
jack (f)

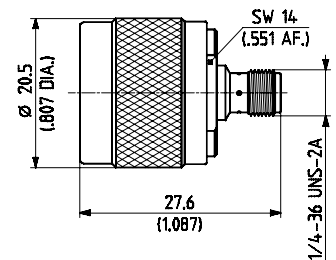


Material N brass/SUCO
SMA CuBe/gold*

VSWR DC to 12.4 GHz $\leq 1.05 + 0.015 \cdot f$ (GHz)

174	H+S type Item no.	33_N-SMA-50-1/113_UE 22542421
-----	----------------------	----------------------------------

N SMA plug (m)
jack (f)

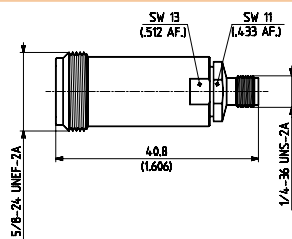


Material N brass/SUCO
SMA CuBe/gold*

VSWR DC to 12.4 GHz $\leq 1.05 + 0.015 \cdot f$ (GHz)

174	H+S type Item no.	31_N-SMA-50-51/1--_NE 22660178
-----	----------------------	-----------------------------------

N SMA jack (f)
jack (f)

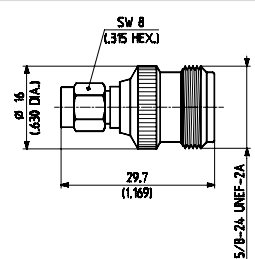


Material N stainless steel
SMA CuBe/gold

VSWR DC to 18 GHz $\leq 1.025 + 0.007 \cdot f$ (GHz)

174	H+S type Item no.	33_SMA-N-50-1/1--_UE 22640154
-----	----------------------	----------------------------------

SMA N plug (m)
jack (f)

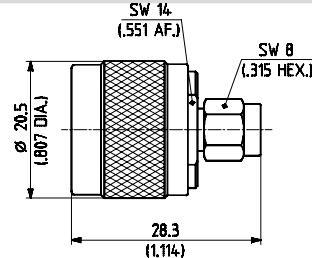


Material SMA CuBe/gold
N brass/SUCO

VSWR DC to 12.4 GHz $\leq 1.05 + 0.015 \cdot f$ (GHz)

174	H+S type Item no.	32_N-SMA-50-1/11-_NE 22542399
-----	----------------------	----------------------------------

N SMA plug (m)
plug (m)

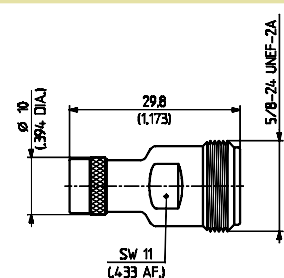


Material N brass/SUCO
SMA CuBe/gold*

VSWR DC to 12.4 GHz $\leq 1.05 + 0.017 \cdot f$ (GHz)

174	H+S type Item no.	33_SMA-N-Q50-4/1-3_NE 22660211
-----	----------------------	-----------------------------------

SMA N plug (m)
quick-mate
jack (f)

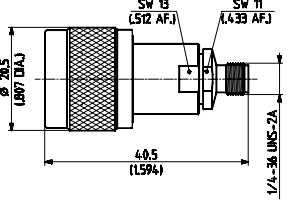


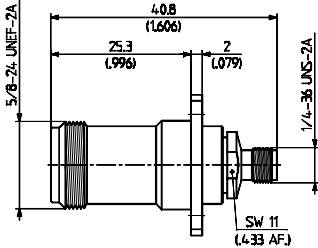
Material SMA CuBe/SUPR
N brass/SUCO

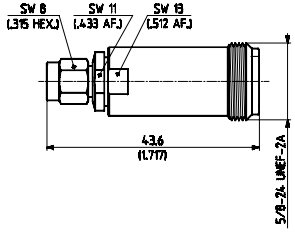
VSWR DC to 6 GHz ≤ 1.07
6 to 12.4 GHz ≤ 1.18

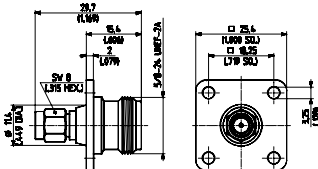
Introduction and general information on page 465 and 466/467.

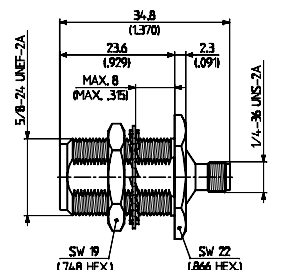
Adaptors

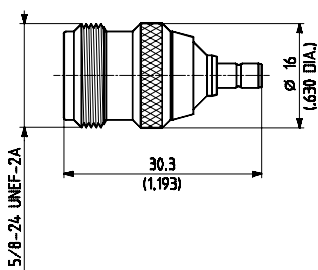
174	H+S type Item no.	33_N-SMA-50-51/1--_NE 22660180
N SMA	plug (m) jack (f)	
Material	stainless steel CuBe/gold	
VSWR	DC to 18 GHz	$\leq 1.025 + 0.007 \cdot f(\text{GHz})$

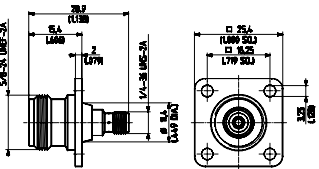
174	H+S type Item no.	37_N-SMA-50-51/1--_NE 22645162
N SMA	jack (f) jack (f)	
Material	stainless steel CuBe/gold	
VSWR	DC to 18 GHz	$\leq 1.025 + 0.007 \cdot f(\text{GHz})$

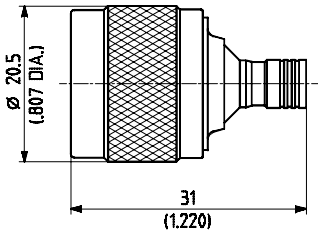
174	H+S type Item no.	33_SMA-N-50-51/1--_NE 22660181
SMA N	plug (m) jack (f)	
Material	CuBe/gold stainless steel	
VSWR	DC to 18 GHz	$\leq 1.025 + 0.007 \cdot f(\text{GHz})$

174	H+S type Item no.	39_SMA-N-50-1/1--_NE 22640156
SMA N	plug (m) jack (f)	
Material	CuBe/gold brass/SUCO Mounting hole ML 13/14	
VSWR	DC to 12.4 GHz	$\leq 1.05 + 0.015 \cdot f(\text{GHz})$

174	H+S type Item no.	34_N-SMA-50-1/193_UE 22642820
N SMA	jack (f) jack (f)	
Material	stainless steel Mounting hole ML 12	
VSWR	DC to 12.4 GHz	$\leq 1.05 + 0.017 \cdot f(\text{GHz})$

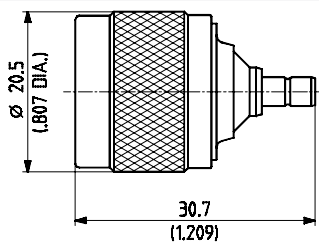
175	H+S type Item no.	31_N-SMB-50-1/1--_UE 22542387
N SMB	jack (f) jack (f)	
Material	brass/SUCO brass/gold	
VSWR	DC to 3 GHz 3 to 4 GHz	$\leq 1.03 + 0.08 \cdot f(\text{GHz}) \leq 1.27$

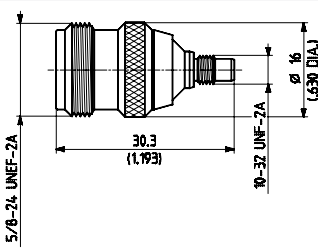
174	H+S type Item no.	37_N-SMA-50-1/1--_UE 22543458
N SMA	jack (f) jack (f)	
Material	brass/SUCO CuBe/gold Mounting hole ML 13/14	
VSWR	DC to 12.4 GHz	$\leq 1.05 + 0.015 \cdot f(\text{GHz})$

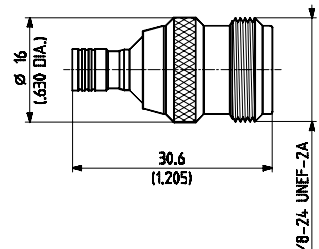
175	H+S type Item no.	32_N-SMB-50-1/1--_UE 22542400
N SMB	plug (m) plug (m)	
Material	brass/SUCO brass/gold	
VSWR	DC to 3 GHz 3 to 4 GHz	$\leq 1.03 + 0.08 \cdot f(\text{GHz}) \leq 1.27$

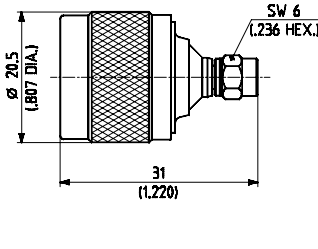
Introduction and general information on page 465 and 466/467.

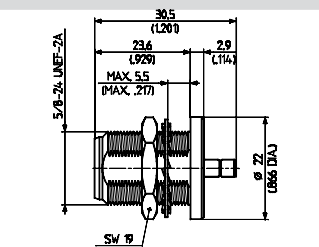
Adaptors

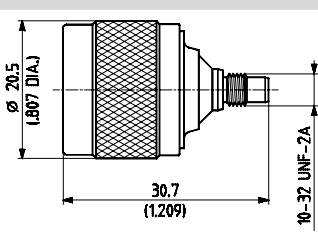
175	H+S type Item no.	33_N-SMB-50-1/1--_UE 22542422
N SMB	plug (m) jack (f)	
Material N SMB	brass/SUCO brass/gold	
VSWR	DC to 3 GHz 3 to 4 GHz	$\leq 1.03 + 0.08 \cdot f(\text{GHz}) \leq 1.27$

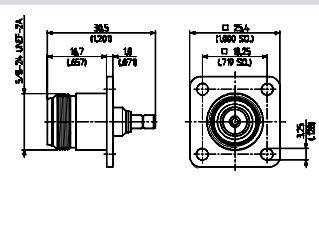
176	H+S type Item no.	31_N-SMC-50-1/1--_NE 22542389
N SMC	jack (f) jack (f)	
Material N SMC	brass/SUCO brass/gold	
VSWR	DC to 2 GHz 2 to 4 GHz 4 to 10 GHz	≤ 1.10 ≤ 1.20 ≤ 1.40

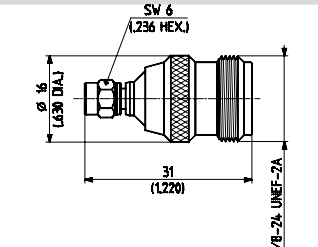
175	H+S type Item no.	33_SMB-N-50-1/1--_UE 22640394
SMB N	plug (m) jack (f)	
Material SMB N	brass/gold brass/SUCO	
VSWR	DC to 3 GHz 3 to 4 GHz	$\leq 1.03 + 0.08 \cdot f(\text{GHz}) \leq 1.27$

176	H+S type Item no.	32_N-SMC-50-1/1--_NE 22542402
N SMC	plug (m) plug (m)	
Material N SMC	brass/SUCO brass/gold	
VSWR	DC to 2 GHz 2 to 4 GHz 4 to 10 GHz	≤ 1.10 ≤ 1.20 ≤ 1.40

175	H+S type Item no.	34_N-SMB-50-1/1--_UE 22642272
N SMB	jack (f) jack (f)	
Material N SMB Mounting hole	brass/SUCO brass/gold ML 12	
VSWR	DC to 4 GHz	≤ 1.22

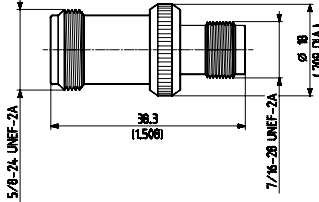
176	H+S type Item no.	33_N-SMC-50-1/1--_NE 22542423
N SMC	plug (m) jack (f)	
Material N SMC	brass/SUCO brass/SUCO	
VSWR	DC to 2 GHz 2 to 4 GHz 4 to 10 GHz	≤ 1.10 ≤ 1.20 ≤ 1.40

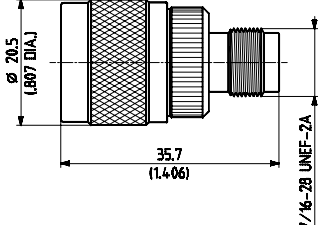
175	H+S type Item no.	37_N-SMB-50-1/1--_UE 22641514
N SMB	jack (f) jack (f)	
Material N SMB Mounting hole	brass/SUCO brass/gold ML 14	
VSWR	DC to 4 GHz	$\leq 1.06 + 0.08 \cdot f(\text{GHz})$

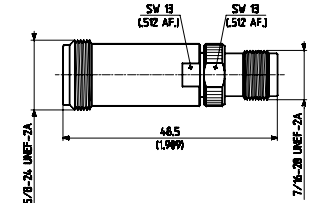
176	H+S type Item no.	33_SMC-N-50-1/1--_NE 22640406
SMC N	plug (m) jack (f)	
Material SMC N	brass/gold brass/SUCO	
VSWR	DC to 2 GHz 2 to 4 GHz 4 to 10 GHz	≤ 1.10 ≤ 1.20 ≤ 1.40

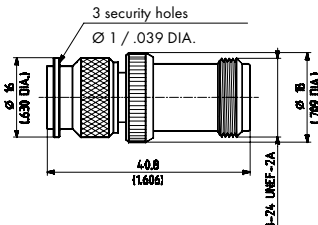
Introduction and general information on page 465 and 466/467.

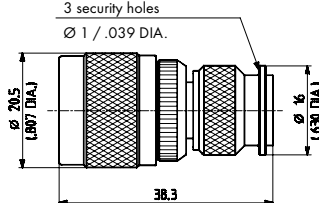
Adaptors

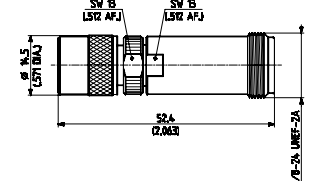
177	H+S type Item no.	31_N-TNC-50-1/133_UE 22542392
N TNC	jack (f) jack (f)	
Material	brass/SUCO	
VSWR	DC to 7 GHz 7 to 11 GHz	$\leq 1.06 + 0.12 \cdot f(\text{GHz}) \leq 1.90$

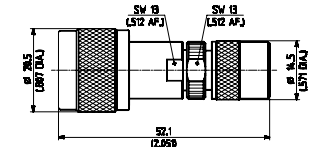
177	H+S type Item no.	33_N-TNC-50-1/133_NE 22542427
N TNC	plug (m) jack (f)	
Material	brass/SUCO	
VSWR	DC to 11 GHz	$\leq 1.13 + 0.02 \cdot f(\text{GHz})$

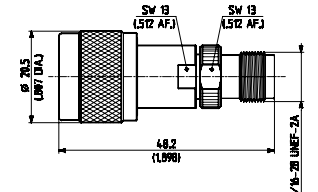
177	H+S type Item no.	31_N-TNC-50-51/1--_UE 22543954
N TNC	jack (f) jack (f)	
Material	stainless steel	
VSWR	DC to 12.4 GHz	$\leq 1.05 + 0.01 \cdot f(\text{GHz})$

177	H+S type Item no.	33_TNC-N-50-1/133_UE 22640637
TNC N	plug (m) jack (f)	
Material	brass/SUCO	
VSWR	DC to 3 GHz 3 to 5.5 GHz 5.5 to 11 GHz	≤ 1.05 ≤ 1.18 ≤ 2.00

177	H+S type Item no.	32_N-TNC-50-1/---_UE 22542406
N TNC	plug (m) plug (m)	
Material	brass/SUCO	
VSWR	DC to 11 GHz	$\leq 1.06 + 0.11 \cdot f(\text{GHz})$

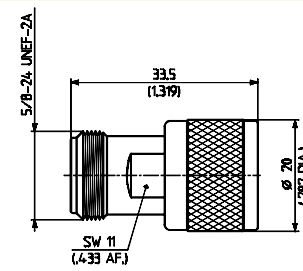
177	H+S type Item no.	33_TNC-N-50-51/---_UE 22544046
TNC N	plug (m) jack (f)	
Material	stainless steel	
VSWR	DC to 12.4 GHz	$\leq 1.05 + 0.01 \cdot f(\text{GHz})$

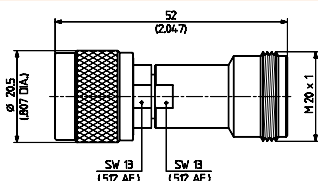
177	H+S type Item no.	32_N-TNC-50-51/1--_UE 22543953
N TNC	plug (m) plug (m)	
Material	stainless steel	
VSWR	DC to 12.4 GHz	$\leq 1.05 + 0.01 \cdot f(\text{GHz})$

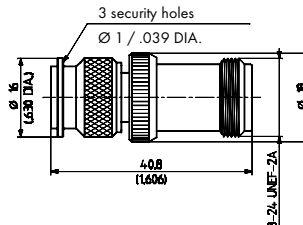
177	H+S type Item no.	33_N-TNC-50-51/1--_UE 22543955
N TNC	plug (m) jack (f)	
Material	stainless steel	
VSWR	DC to 12.4 GHz	$\leq 1.05 + 0.01 \cdot f(\text{GHz})$

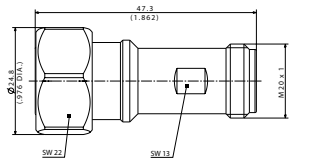
Introduction and general information on page 465 and 466/467.

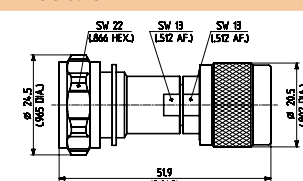
Adaptors

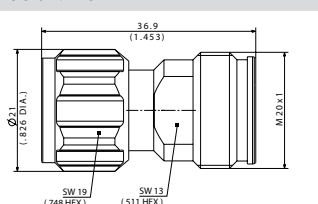
177	H+S type Item no.	33_TNC-N-Q50-4/133_NE 22660360
TNC N	plug (m) quick-mate jack (f)	
Material	brass/SUCO	
VSWR	DC to 4 GHz 4 to 8 GHz 8 to 11 GHz	≤ 1.065 ≤ 1.12 ≤ 1.28

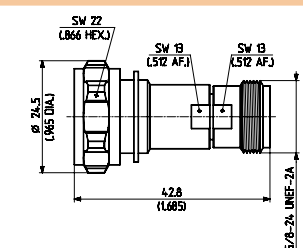
178	H+S type Item no.	33_N-4195-50-51/1-3_UE 22648618
N 4.1/9.5	plug (m) jack (f)	
Material	N 4.1/9.5 stainless steel brass/SUCO	
VSWR	DC to 6 GHz 6 to 14 GHz	≤ 1.05 ≤ 1.12

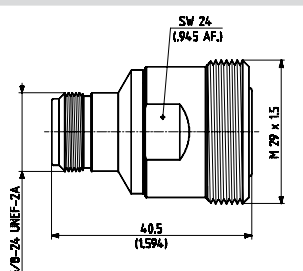
177	H+S type Item no.	33_TNC-N-75-1/133_UE 22658811
TNC N	plug (m) jack (f)	
Material	brass/SUCO	

179	H+S type Item no.	33_4310-N-50-X1/133_NE 85017229
4.3-10 N	plug (m) jack (f)	
Material	brass	
VSWR	DC to 4 GHz 4 to 6 GHz	≤ 1.032 ≤ 1.052

178	H+S type Item no.	32_4195-N-50-1/1--_UE 22650781
4.1/9.5 N	plug (m) plug (m)	
Material	4.1/9.5 brass/SUCO N stainless steel	
VSWR	DC to 14 GHz	≤ 1.06

179	H+S type Item no.	33_N-4310-50-1/133_NE 85017232
N 4.3-10	plug (m) jack (f)	
Material	brass	
VSWR	DC to 4 GHz 4 to 6 GHz	≤ 1.032 ≤ 1.052

178	H+S type Item no.	33_4195-N-50-1/---_UE 22646154
4.1/9.5 N	plug (m) jack (f)	
Material	4.1/9.5 brass/SUCO N stainless steel	
VSWR	DC to 6 GHz 6 to 14 GHz	≤ 1.05 ≤ 1.12

180	H+S type Item no.	31_N-716-50-1/---_UE 22640869
N 7/16	jack (f) jack (f)	
Material	brass/SUCO	
VSWR	DC to 7.5 GHz	≤ 1.03 + 0.02

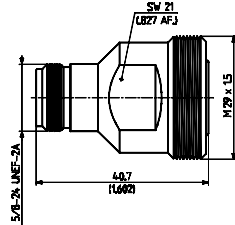
Introduction and general information on page 465 and 466/467.

Adaptors

180	H+S type Item no.	31_N-716-50-2/133_WE 22658137
-----	----------------------	----------------------------------

N
7/16 jack (f)
jack (f)

Material brass/SUCO

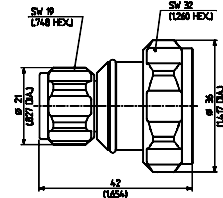


PIM: ≤ -165 dBc

180	H+S type Item no.	32_N-716-50-2/133_WE 22658140
-----	----------------------	----------------------------------

N
7/16 plug (m)
plug (m)

Material brass/SUCO

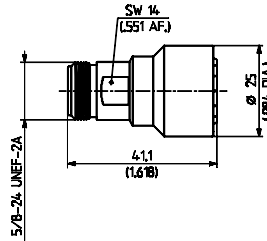


PIM: ≤ -165 dBc

180	H+S type Item no.	31_716-N-Q50-1/1-3_NE 23008294
-----	----------------------	-----------------------------------

7/16 jack (f)
quick-mate
N jack (f)

Material brass/SUCO

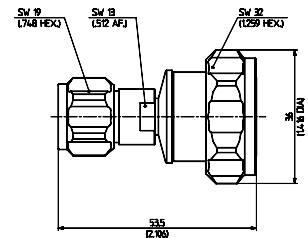


VSWR DC to 6 GHz ≤ 1.02 + 0.04 • f(GHz)

180	H+S type Item no.	32_N-716-50-51/-33_NE 22544127
-----	----------------------	-----------------------------------

N
7/16 plug (m)
plug (m)

Material brass/SUCO

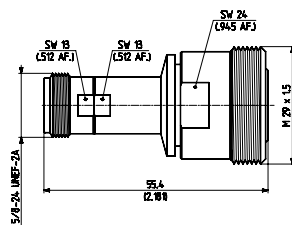


VSWR DC to 7.5 GHz ≤ 1.03 + 0.004 • f(GHz)

180	H+S type Item no.	31_N-716-50-51/-33_NE 22544129
-----	----------------------	-----------------------------------

N
7/16 jack (f)
jack (f)

Material brass/SUCO

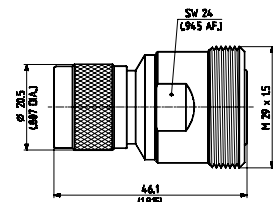


VSWR DC to 7.5 GHz ≤ 1.03 + 0.004 • f(GHz)

180	H+S type Item no.	33_N-716-50-1/---_UE 22641229
-----	----------------------	----------------------------------

N
7/16 plug (m)
jack (f)

Material N
7/16 brass/SUCO
brass/silver

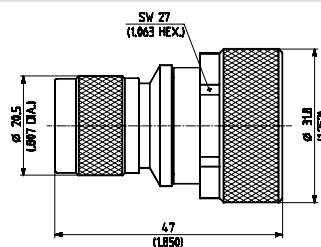


VSWR DC to 7.5 GHz ≤ 1.03 + 0.02 • f(GHz)

180	H+S type Item no.	32_N-716-50-1/---_NE 22544576
-----	----------------------	----------------------------------

N
7/16 plug (m)
plug (m)

Material N
7/16 brass/SUCO
brass/silver

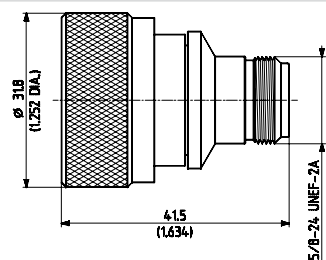


VSWR DC to 7.5 GHz ≤ 1.03 + 0.02 • f(GHz)

180	H+S type Item no.	33_716-N-50-1/---_UE 22544119
-----	----------------------	----------------------------------

7/16
N plug (m)
jack (f)

Material 7/16
N brass/silver
brass/SUCO



VSWR DC to 7.5 GHz: ≤ 1.03 + 0.02 • f(GHz)

Introduction and general information on page 465 and 466/467.

Adaptors

180	H+S type Item no.	33_716-N-50-3/133_WE 22658823
7/16 N	male (m) jack (f)	
Material	brass/SUCO	
PIM:	≤ -165 dBc	

180	H+S type Item no.	33_716-N-50-51/33_NE 22544125
7/16 N	plug (m) jack (f)	
Material	brass/SUCO	
VSWR	DC to 7.5 GHz: $\leq 1.03 + 0.004 \cdot f$ (GHz)	

180	H+S type Item no.	33_N-716-50-3/133_WE 22658217
N 7/16	plug (m) jack (f)	
Material	brass/SUCO	
PIM:	≤ -165 dBc	

180	H+S type Item no.	37_N-716-50-1/003_-E 23001317
N 7/16	jack (f) jack (f)	
Material	brass/silver Mounting hole ML 27	
VSWR	DC to 7.5 GHz: $\leq 1.03 + 0.02 \cdot f$ (GHz)	

180	H+S type Item no.	33_716-N-Q50-4/133_UE 23000487
7/16 N	plug (m) quick-mate jack (f)	
Material	brass/SUCO	
VSWR	DC to 4 GHz ≤ 1.05 4 to 7.5 GHz ≤ 1.15	

181	H+S type Item no.	31_PC185-50-0-1/199_NE 84132746
PC1.85	jack (f) 2 x	
Material	stainless steel	
VSWR	DC to 30 GHz ≤ 1.083 30 to 50 GHz ≤ 1.119 50 to 65 GHz ≤ 1.152	

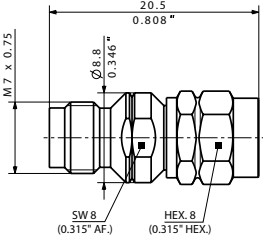
180	H+S type Item no.	33_N-716-50-51/33_NE 22544123
N 7/16	plug (m) jack (f)	
Material	brass/SUCO	
VSWR	DC to 7.5 GHz: $\leq 1.03 + 0.004 \cdot f$ (GHz)	

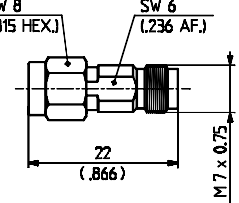
181	H+S type Item no.	32_PC185-50-0-1/19_-NE 84132748
PC1.85	plug (m) 2 x	
Material	stainless steel	
VSWR	DC to 35 GHz ≤ 1.052 35 to 55 GHz ≤ 1.065 55 to 65 GHz ≤ 1.106	

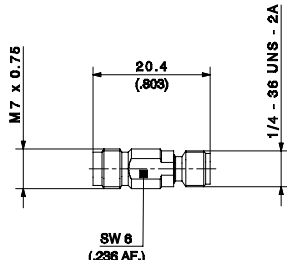
Introduction and general information on page 465 and 466/467.

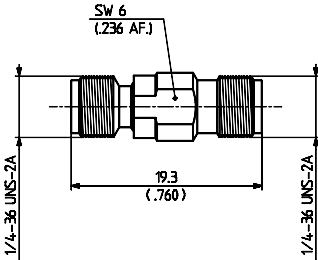
Adaptors

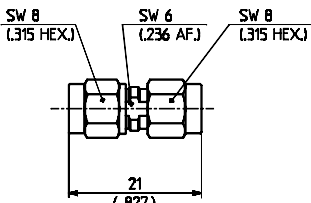
Adaptors

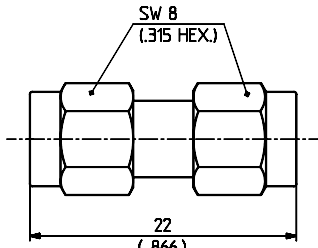
181	H+S type Item no.	33_PC185-50-0-1/199_NE 84019546
PC1.85	plug (m) jack (f)	
Material	stainless steel	
VSWR	DC to 25 GHz	≤ 1.052
	25 to 45 GHz	≤ 1.065
	45 to 65 GHz	≤ 1.106

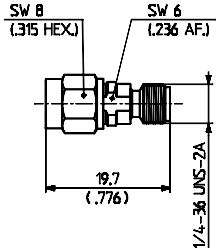
197	H+S type Item no.	33_SK-PC24-50-1/199_NE 23004731
SK (2.92 mm) PC2.4	plug (m) jack (f)	
El. length	16.1 mm	
Material	stainless steel	
VSWR	DC to 40 GHz	≤ 1.12

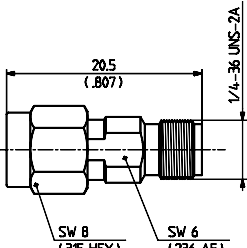
197	H+S type Item no.	31_PC24-SK-50-1/199_NE 84008075
PC2.4 SK (2.92 mm)	jack (f) jack (f)	
Material	stainless steel	
VSWR	DC to 40 GHz	≤ 1.12

210	H+S type Item no.	31_SK-50-0-1/199_NE 23004726
SK (2.92 mm)	jack (f) 2 ×	
El. length	16.1 mm	
Material	stainless steel	
VSWR	DC to 40 GHz	≤ 1.20

197	H+S type Item no.	32_PC24-SK-50-1/199_NE 23004729
PC2.4 SK (2.92 mm)	plug (m) plug (m)	
El. length	16.1 mm	
Material	stainless steel	
VSWR	DC to 40 GHz	≤ 1.12

210	H+S type Item no.	32_SK-50-0-1/199_NE 23004727
SK (2.92 mm)	plug (m) 2 ×	
El. length	16.1 mm	
Material	stainless steel	
VSWR	DC to 40 GHz	≤ 1.20

197	H+S type Item no.	33_PC24-SK-50-2/199_NE 23004730
PC2.4 SK (2.92 mm)	plug (m) jack (f)	
El. length	16.1 mm	
Material	stainless steel	
VSWR	DC to 40 GHz	≤ 1.12

210	H+S type Item no.	33_SK-50-0-1/199_NE 23004728
SK (2.92 mm)	plug (m) jack (f)	
El. length	16.1 mm	
Material	stainless steel	
VSWR	DC to 40 GHz	≤ 1.20

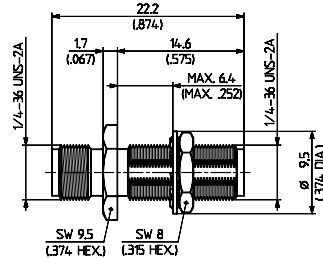
Introduction and general information on page 465 and 466/467.

Adaptors

210 H+S type Item no. 34_SK-50-0-51/199_NE 22658969

SK (2.92 mm) jack (f) 2 ×

Material stainless steel
Mounting hole ML 35

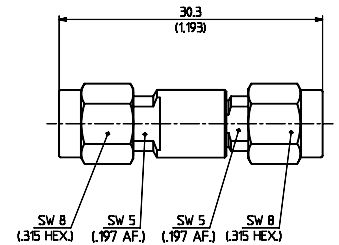


VSWR DC to 40 GHz $\leq 1.02 + 0.01 \cdot f(\text{GHz})$

223 H+S type Item no. 32_PC35-50-0-2/199_NE 23020457

PC3.5 plug (m) 2 ×

El. length 25.5 mm
Material stainless steel

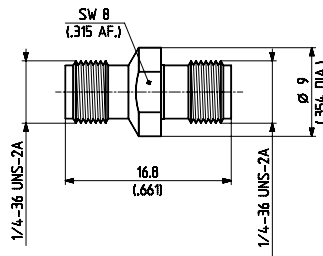


VSWR DC to 1.5 GHz ≤ 1.036
1.5 to 6 GHz ≤ 1.065
6 to 18 GHz ≤ 1.22

223 H+S type Item no. 31_PC35-50-0-1/199_UE 22644360

PC3.5 jack (f) 2 ×

El. length 14.1 mm
Material stainless steel

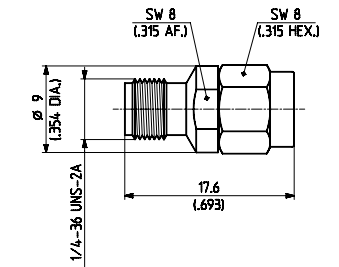


VSWR DC to 18 GHz ≤ 1.08
18 to 26.5 GHz ≤ 1.15

223 H+S type Item no. 33_PC35-50-0-1/199_UE 22644362

PC3.5 plug (m) jack (f)

El. length 14.1 mm
Material stainless steel

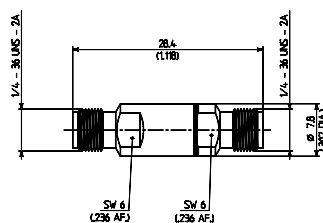


VSWR DC to 18 GHz ≤ 1.08
18 to 26.5 GHz ≤ 1.15

223 H+S type Item no. 31_PC35-50-0-2/199_NE 23020456

PC3.5 jack (f) 2 ×

El. length 25.5 mm
Material stainless steel

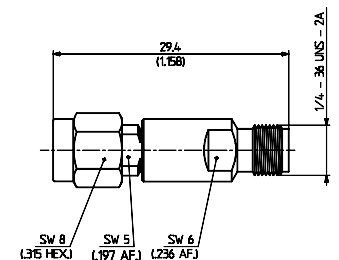


VSWR DC to 1.5 GHz ≤ 1.036
1.5 to 6 GHz ≤ 1.065
6 to 18 GHz ≤ 1.22

223 H+S type Item no. 33_PC35-50-0-2/199_NE 23020453

PC3.5 plug (m) jack (f)

El. length 25.5 mm
Material stainless steel

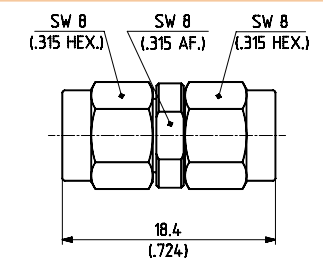


VSWR DC to 1.5 GHz ≤ 1.036
1.5 to 6 GHz ≤ 1.065
6 to 18 GHz ≤ 1.22

223 H+S type Item no. 32_PC35-50-0-1/199_UE 22644361

PC3.5 plug (m) 2 ×

El. length 14.1 mm
Material stainless steel

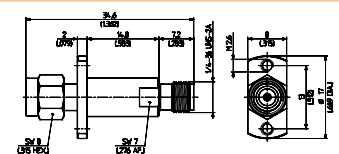


VSWR DC to 18 GHz ≤ 1.08
18 to 26.5 GHz ≤ 1.15

223 H+S type Item no. 39_PC35-50-0-1/199_UE 23003664

PC3.5 plug (m) jack (f)

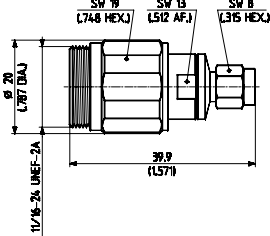
Material stainless steel

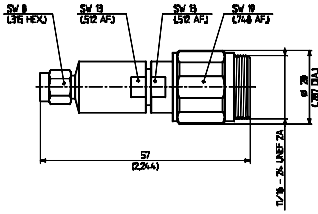


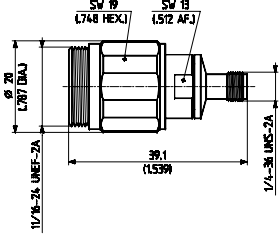
VSWR DC to 4 GHz ≤ 1.03
4 to 10 GHz ≤ 1.07
10 to 26.5 GHz ≤ 1.22

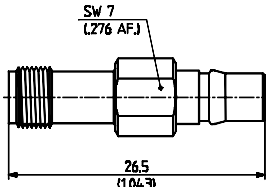
Introduction and general information on page 465 and 466/467.

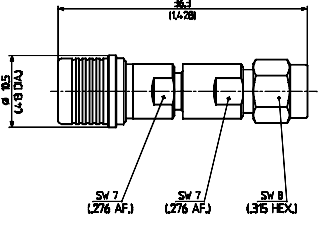
Adaptors

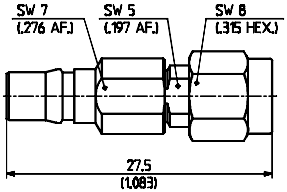
224	H+S type Item no.	32_PC7-PC35-50-1/1--_UE 22644230
PC7 PC3.5	plug (m)	
Material PC7 PC3.5	brass/gold stainless steel	
VSWR	DC to 15 GHz 15 to 18 GHz	≤ 1.05 ≤ 1.09

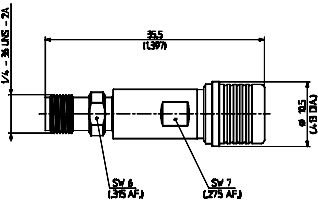
224	H+S type Item no.	32_PC35-PC7-50-3/33_NE 23003902
PC3.5 PC7	plug (m)	
Material PC3.5 PC7	brass/SUCO brass/gold	
VSWR	DC to 18 GHz	≤ 1.06

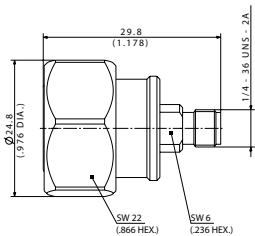
224	H+S type Item no.	33_PC7-PC35-50-1/1--_UE 22644231
PC7 PC3.5	jack (f)	
Material PC7 PC3.5	brass/gold stainless steel	
VSWR	DC to 15 GHz 15 to 18 GHz	≤ 1.05 ≤ 1.09

226	H+S type Item no.	31_PC35-QMA-50-1/199_NE 23017468
PC3.5 QMA	jack (f) jack (f)	
El. length	25.5 mm	
Material	stainless steel	
VSWR	DC to 1.5 GHz 1.5 to 6 GHz 6 to 18 GHz	≤ 1.036 ≤ 1.065 ≤ 1.22

226	H+S type Item no.	32_PC35-QMA-50-1/1--_NE 23017489
PC3.5 QMA	plug (m) plug (m)	
El. length	25.5 mm	
Material	stainless steel	
VSWR	DC to 1.5 GHz 1.5 to 6 GHz 6 to 18 GHz	≤ 1.036 ≤ 1.065 ≤ 1.22

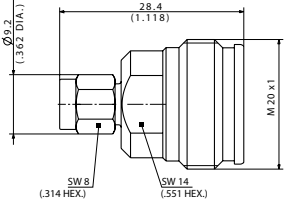
226	H+S type Item no.	33_PC35-QMA-50-1/199_NE 23017467
PC3.5 QMA	plug (m) jack (f)	
El. length	25.5 mm	
Material	stainless steel	
VSWR	DC to 1.5 GHz 1.5 to 6 GHz 6 to 18 GHz	≤ 1.036 ≤ 1.065 ≤ 1.22

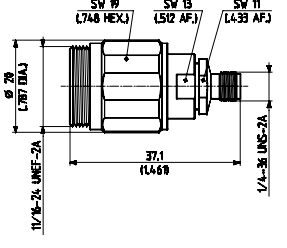
226	H+S type Item no.	33_QMA-PC35-50-1/1--_NE 23017488
QMA PC3.5	plug (m) jack (f)	
El. length	25.5 mm	
Material	stainless steel	
VSWR	DC to 1.5 GHz 1.5 to 6 GHz 6 to 18 GHz	≤ 1.036 ≤ 1.065 ≤ 1.22

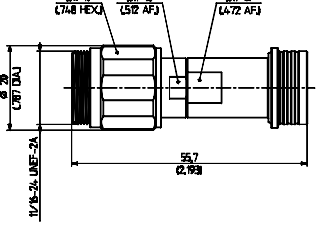
233	H+S type Item no.	33_4310-PC35-50-X1/133_NE 85017252
4.3-10 PC3.5	plug (m) jack (f)	
Material	brass	
VSWR	DC to 4 GHz 4 to 6 GHz	≤ 1.032 ≤ 1.052

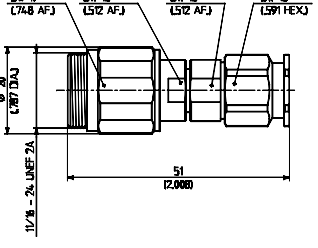
Introduction and general information on page 465 and 466/467.

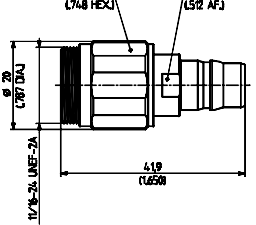
Adaptors

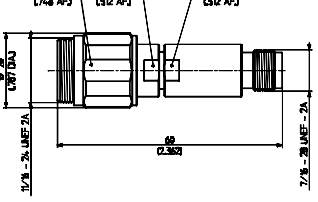
233	H+S type Item no.	33_PC35-4310-50-1/1-9_NE 85017256
PC3.5 4.3-10	plug (m) jack (f)	
Material	brass	

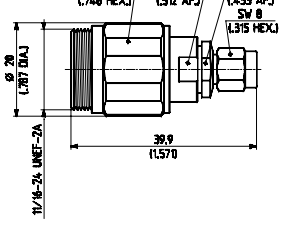
239	H+S type Item no.	33_PC7-SMA-50-1/1--_UE 22543548
PC7 SMA	jack (f)	
Material	brass/gold CuBe/gold	
VSWR	DC to 18 GHz	$\leq 1.025 + 0.002 \cdot f(\text{GHz})$

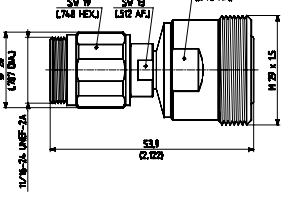
238	H+S type Item no.	32_PC7-QN-50-1/1--_NE 23032720
PC7 QN	plug (m)	
El. length	41.85 mm	
Material	brass/gold	
VSWR	DC to 3 GHz 3 to 6 GHz 6 to 11 GHz	≤ 1.03 ≤ 1.05 $\leq \text{typ. } 1.12$

242	H+S type Item no.	32_PC7-TNC-50-52/-33_NE 23003983
PC7 TNC	plug (m)	
Material	brass/gold stainless steel	
VSWR	DC to 18 GHz	$\leq 1.03 + 0.009 \cdot f(\text{GHz})$

238	H+S type Item no.	33_PC7-QN-50-1/1--_NE 23032722
PC7 QN	jack (f)	
El. length	41.85 mm	
Material	brass/gold stainless steel	
VSWR	DC to 3 GHz 3 to 6 GHz 6 to 11 GHz	≤ 1.03 ≤ 1.05 $\leq \text{typ. } 1.12$

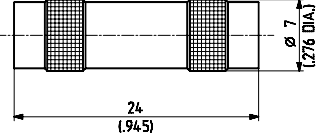
242	H+S type Item no.	33_PC7-TNC-50-52/-33_NE 23003920
PC7 TNC	jack (f)	
Material	brass/gold stainless steel	
VSWR	DC to 18 GHz	$\leq 1.03 + 0.009 \cdot f(\text{GHz})$

239	H+S type Item no.	32_PC7-SMA-50-1/---_UE 22543546
PC7 SMA	plug (m)	
Material	brass/gold CuBe/gold	
VSWR	DC to 18 GHz	$\leq 1.025 + 0.002 \cdot f(\text{GHz})$

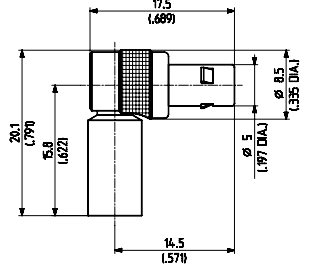
245	H+S type Item no.	33_PC7-716-50-1/--3_NE 22544126
PC7 7/16	jack (f)	
Material	brass/SUPR brass/SUCO	
VSWR	DC to 7.5 GHz	$\leq 1.03 + 0.004 \cdot f(\text{GHz})$

Introduction and general information on page 465 and 466/467.

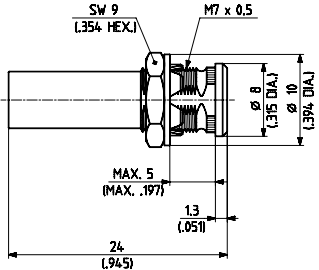
Adaptors

246	H+S type Item no.	31_QLA-01-0-1/112_NE 22640028
QLA	jack (f) 2 ×	

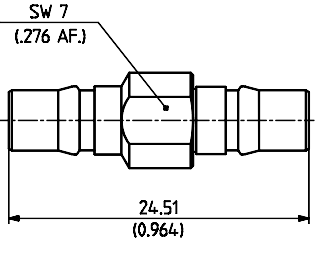
Material brass/nickel

246	H+S type Item no.	53_QLA-01-0-1/112_NE 22640034
QLA	plug (m) jack (f)	

Material brass/nickel

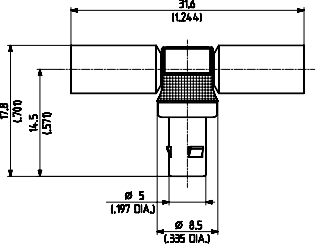
246	H+S type Item no.	34_QLA-01-0-2/112_NE 22640031
QLA	jack (f) 2 ×	

Material brass/nickel
Mounting hole ML 99

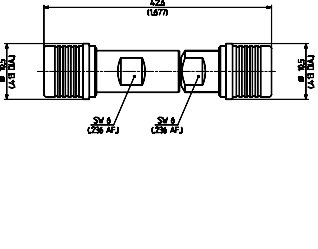
256	H+S type Item no.	31_QMA-50-0-1/199_NE 23023171
QMA	jack (f) 2 ×	

Material stainless steel

VSWR DC to 1.5 GHz ≤ 1.036
1.5 to 6 GHz ≤ 1.065

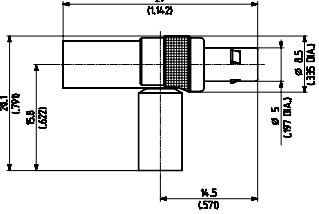
246	H+S type Item no.	43_QLA-01-0-1/112_NE 22640032
QLA	jack (f) 2 × plug (m) 1 ×	

Material brass/nickel

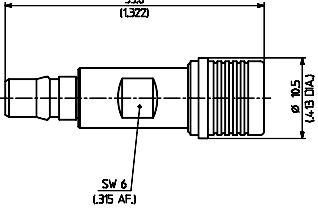
256	H+S type Item no.	32_QMA-50-0-1/1--_NE 23023199
QMA	plug (m) 2 ×	

Material stainless steel

VSWR DC to 1.5 GHz ≤ 1.036
1.5 to 6 GHz ≤ 1.065

246	H+S type Item no.	45_QLA-01-0-1/112_NE 22640033
QLA	jack (f) 2 × plug (m) 1 ×	

Material brass/nickel

256	H+S type Item no.	33_QMA-50-0-1/1--_NE 23023287
QMA	plug (m) jack (f)	

Material stainless steel

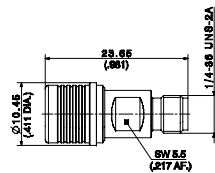
VSWR DC to 1.5 GHz ≤ 1.036
1.5 to 6 GHz ≤ 1.065

Introduction and general information on page 465 and 466/467.

Adaptors

258 H+S type Item no. 33_QMA-SMA-50-1/133_NE 84014876

QMA plug (m)
SMA jack (f)

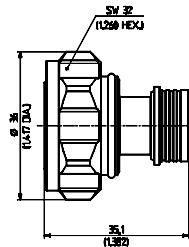


Material brass/SUCO

VSWR DC to 4 GHz ≤ 1.05
4 to 6 GHz ≤ 1.17

272 H+S type Item no. 32_QN-716-50-1/113_WE 23033643

QN plug (m)
7/16 plug (m)

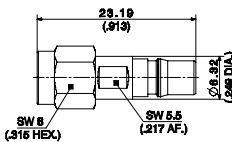


Material brass/SUCO

PIM ≤ -155 dBc

258 H+S type Item no. 33_SMA-QMA-50-1/133_NE 84012204

SMA plug (m)
QMA jack (f)

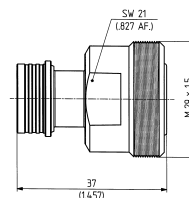


Material brass/SUCO

VSWR DC to 4 GHz ≤ 1.05
4 to 6 GHz ≤ 1.17

272 H+S type Item no. 33_QN-716-50-1/113_WE 23033550

QN plug (m)
7/16 jack (f)

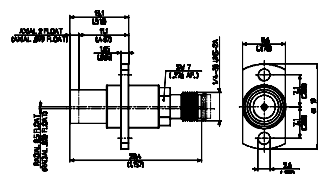


Material brass/SUCO

PIM ≤ -155 dBc

258 H+S type Item no. 39_QMA-SMA-U50-1/11-_NE 23022741

QMA plug (m)
SMA jack (f)

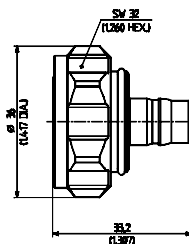


Material QMA stainless steel
SMA CuBe/SUPR
Mounting hole ML 58

VSWR DC to 2 GHz ≤ 1.04
1.2 to 4 GHz ≤ 1.05
4 to 6 GHz ≤ 1.08

272 H+S type Item no. 33_716-QN-50-1/113_WE 23033644

7/16 QN plug (m)
jack (f)

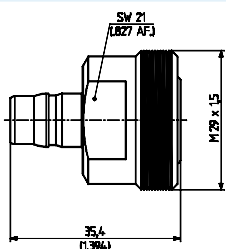


Material brass/SUCO

PIM: ≤ -155 dBc

272 H+S type Item no. 31_QN-716-50-1/113_WE 23033269

QN jack (f)
7/16 jack (f)

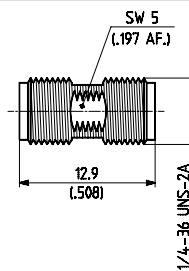


Material brass/SUCO

PIM: ≤ -155 dBc

273 H+S type Item no. 31_SMA-50-0-1/111_NE 22640150

SMA jack (f) 2 ×



Material CuBe/gold

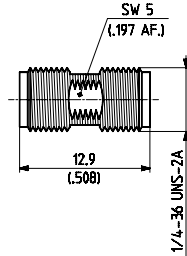
VSWR DC to 18 GHz ≤ 1.05 + 0.01 • f (GHz)

Introduction and general information on page 465 and 466/467.

Adaptors

273	H+S type Item no.	31_SMA-50-0-51/199_NE 22641486
-----	----------------------	-----------------------------------

SMA jack (f) 2 ×

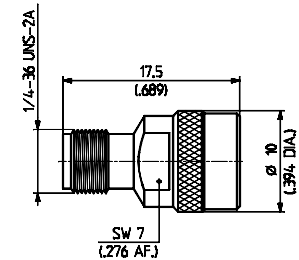


Material stainless steel

VSWR DC to 18 GHz $\leq 1.05 + 0.01 \cdot f(\text{GHz})$

273	H+S type Item no.	33_SMA-Q50-0-4/1-9_NE 22660213
-----	----------------------	-----------------------------------

SMA plug (m)
quick-mate
jack (f)

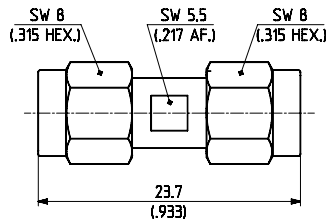


Material CuBe/SUPR

VSWR DC to 5 GHz ≤ 1.07
5 to 16 GHz ≤ 1.22
16 to 18 GHz ≤ 1.28

273	H+S type Item no.	32_SMA-50-0-1/111_NE 22640151
-----	----------------------	----------------------------------

SMA plug (m) 2 ×

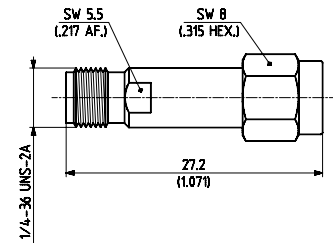


Material CuBe/gold

VSWR DC to 18 GHz $\leq 1.05 + 0.005 \cdot f(\text{GHz})$

273	H+S type Item no.	33_SMA-50-0-51/199_NE 22644253
-----	----------------------	-----------------------------------

SMA plug (m)
jack (f)

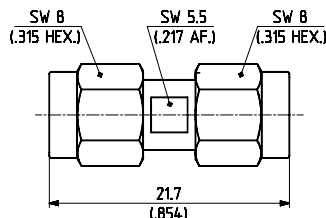


Material stainless steel

VSWR DC to 18 GHz $\leq 1.05 + 0.008 \cdot f(\text{GHz})$

273	H+S type Item no.	32_SMA-50-0-52/199_NE 22643689
-----	----------------------	-----------------------------------

SMA plug (m) 2 ×

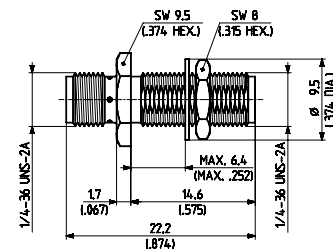


Material stainless steel

VSWR DC to 18 GHz $\leq 1.05 + 0.005 \cdot f(\text{GHz})$

273	H+S type Item no.	34_SMA-50-0-1/111_NE 23009027
-----	----------------------	----------------------------------

SMA jack (f) 2 ×

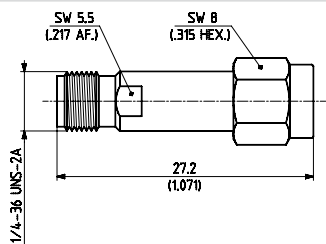


Material CuBe/gold
Mounting hole ML 35

VSWR DC to 18 GHz $\leq 1.05 + 0.005 \cdot f(\text{GHz})$

273	H+S type Item no.	33_SMA-50-0-1/111_NE 22641119
-----	----------------------	----------------------------------

SMA plug (m)
jack (f)

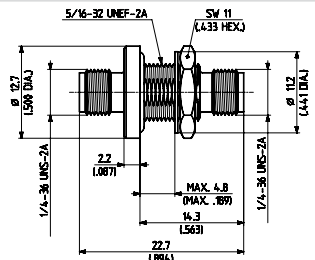


Material CuBe/gold

VSWR DC to 18 GHz $\leq 1.05 + 0.008 \cdot f(\text{GHz})$

273	H+S type Item no.	34_SMA-50-0-3/111_NE 22641297
-----	----------------------	----------------------------------

SMA jack (f) 2 ×



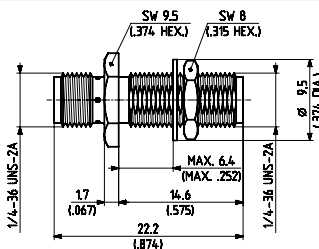
Hermetic sealed

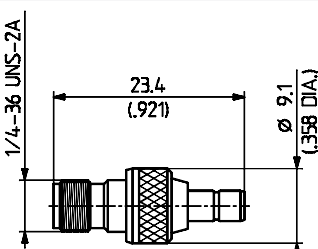
Material CuBe/gold
Mounting hole ML 38

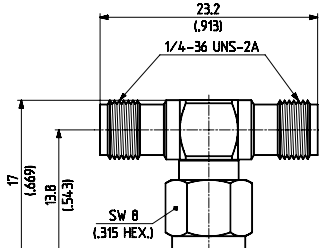
VSWR DC to 3 GHz ≤ 1.1
3 to 7 GHz ≤ 1.2
7 to 18 GHz ≤ 1.3

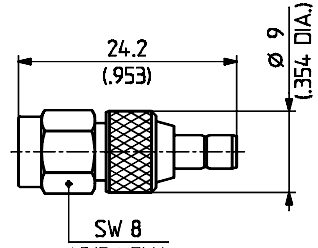
Introduction and general information on page 465 and 466/467.

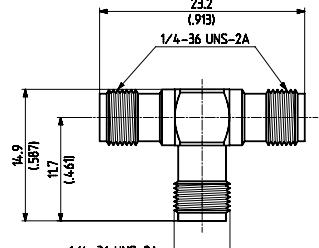
Adaptors

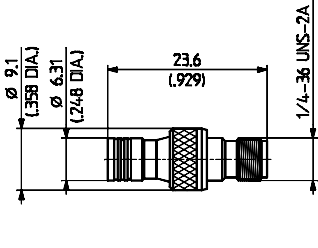
273	H+S type Item no.	34_SMA-50-0-51/199_NE 22544823
SMA	jack (f) 2 ×	
Material	stainless steel	
Mounting hole	ML 35	
VSWR	DC to 18 GHz	$\leq 1.05 + 0.005 \cdot f(\text{GHz})$

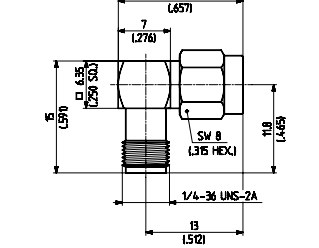
274	H+S type Item no.	31_SMA-SMB-50-1/111_UE 22641728
SMA SMB	jack (f) jack (f)	
Material	CuBe/gold brass/gold	
VSWR	DC to 4 GHz	$\leq 1.05 + 0.04 \cdot f(\text{GHz})$

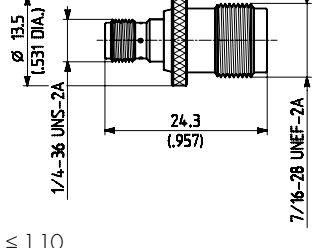
273	H+S type Item no.	43_SMA-50-0-1/111_NE 22543356
SMA	plug (m) 1 × jack (f) 2 ×	
Material	CuBe/gold	
VSWR	DC to 4 GHz 4 to 7 GHz	$\leq 1.05 + 0.04 \cdot f(\text{GHz})$ ≤ 1.21

274	H+S type Item no.	33_SMA-SMB-50-1/111_NE 22658917
SMA SMB	plug (m) jack (f)	
Material	brass/gold	
VSWR	DC to 4 GHz 4 to 7 GHz	$\leq 1.05 + 0.04 \cdot f(\text{GHz})$ ≤ 1.21

273	H+S type Item no.	46_SMA-50-0-1/111_NE 22543357
SMA	jack (f) 3 ×	
Material	CuBe/gold	
VSWR	DC to 4 GHz	$\leq 1.05 + 0.04 \cdot f(\text{GHz})$

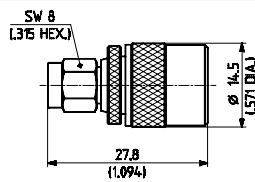
274	H+S type Item no.	33_SMB-SMA-50-1/111_UE 22641727
SMB SMA	plug (m) jack (f)	
Material	brass/gold CuBe/gold	
VSWR	DC to 4 GHz	$\leq 1.05 + 0.04 \cdot f(\text{GHz})$

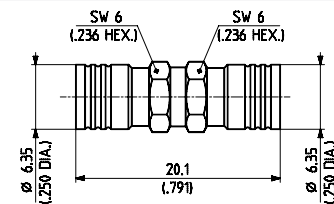
273	H+S type Item no.	53_SMA-50-0-51/199_NE 22642655
SMA	plug (m) jack (f)	
Material	stainless steel	
VSWR	DC to 14 GHz	$\leq 1.02 + 0.03 \cdot f(\text{GHz})$

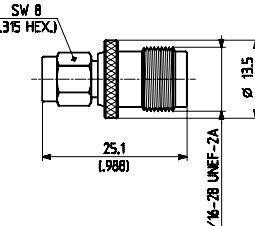
276	H+S type Item no.	31_SMA-TNC-50-1/1--_UE 22640941
SMA TNC	jack (f) jack (f)	
Material	CuBe/gold brass/SUCO	
VSWR	DC to 2 GHz 2 to 6 GHz 6 to 11 GHz	≤ 1.10 ≤ 1.20 ≤ 1.30

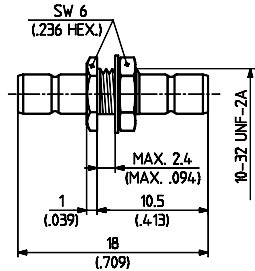
Introduction and general information on page 465 and 466/467.

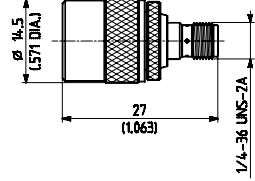
Adaptors

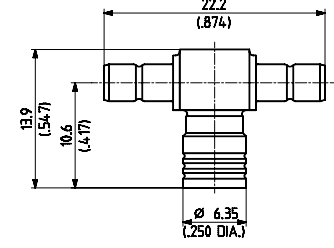
276	H+S type Item no.	32_SMA-TNC-50-1/1--_UE 22640938
SMA TNC	plug (m) plug (m)	
Material SMA TNC	CuBe/gold brass/SUCO	
VSWR	DC to 4 GHz 4 to 8 GHz 8 to 11 GHz	≤ 1.10 ≤ 1.20 ≤ 1.30

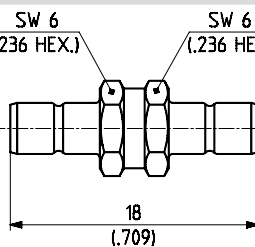
280	H+S type Item no.	32_SMB-50-0-1/111_NE 22640222
SMB	plug (m) 2 ×	
"open entry"		
Material	brass/gold	
VSWR	DC to 1.5 GHz 1.5 to 4 GHz	≤ 1.03 + 0.18 • f (GHz) ≤ 1.30

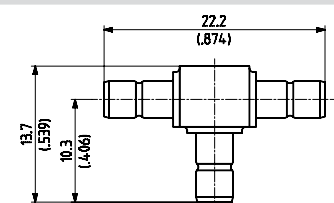
276	H+S type Item no.	33_SMA-TNC-50-1/1--_NE 22640939
SMA TNC	plug (m) jack (f)	
Material SMA TNC	CuBe/gold brass/SUCO	
VSWR	DC to 6 GHz 6 to 11 GHz	≤ 1.03 + 0.05 • f (GHz) ≤ 1.33

280	H+S type Item no.	34_SMB-50-0-2/111_NE 22640224
SMB	jack (f) 2 ×	
Material	brass/gold	
Mounting hole	ML 11	
VSWR	DC to 2 GHz 2 to 4 GHz	≤ 1.04 + 0.1 • f (GHz) ≤ 1.24

276	H+S type Item no.	33_TNC-SMA-50-1/1--_UE 22640940
TNC SMA	plug (m) jack (f)	
Material TNC SMA	brass/SUCO CuBe/gold	
VSWR	DC to 4 GHz 4 to 8 GHz 8 to 11 GHz	≤ 1.10 ≤ 1.20 ≤ 1.30

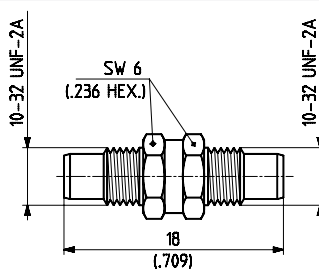
280	H+S type Item no.	43_SMB-50-0-2/111_NE 22640226
SMB	plug (m) 1 × jack (f) 2 ×	
"open entry"		
Material	brass/gold	

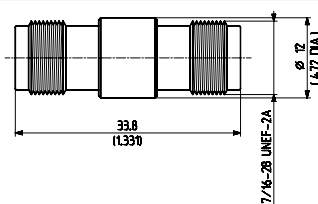
280	H+S type Item no.	31_SMB-50-0-1/111_NE 22640221
SMB	jack (f) 2 ×	
Material	brass/gold	
VSWR	DC to 4 GHz	≤ 1.03 + 0.08 • f (GHz)

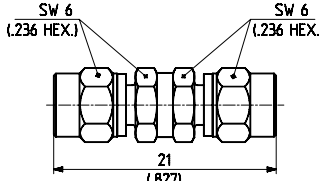
280	H+S type Item no.	46_SMB-50-0-2/111_NE 22640228
SMB	jack (f) 3 ×	
Material	brass/gold	

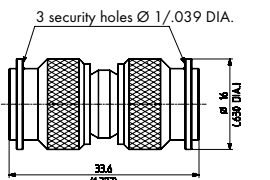
Introduction and general information on page 465 and 466/467.

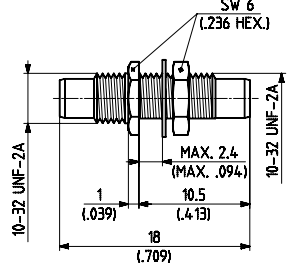
Adaptors

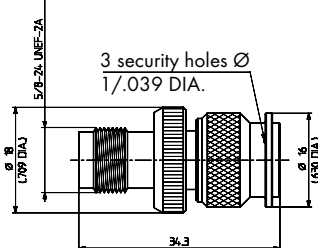
286	H+S type Item no.	31_SMC-50-0-1/111_NE 22640300
SMC	jack (f) 2 ×	
Material	brass/gold	
VSWR	DC to 10 GHz	$\leq 1.08 + 0.15 \cdot f(\text{GHz})$

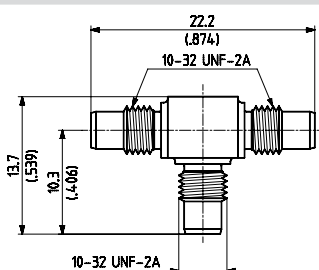
291	H+S type Item no.	31_TNC-50-0-1/133_NE 22640623
TNC	jack (f) 2 ×	
Material	brass/SUCO	
VSWR	DC to 11 GHz	$\leq 1.06 + 0.15 \cdot f(\text{GHz})$

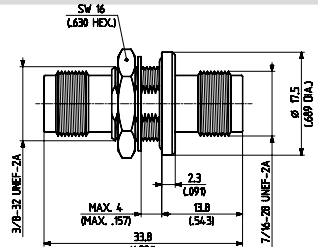
286	H+S type Item no.	32_SMC-50-0-1/111_NE 22543822
SMC	plug (m) 2 ×	
Material	brass/gold	
VSWR	DC to 10 GHz	$\leq 1.08 + 0.10 \cdot f(\text{GHz})$

291	H+S type Item no.	32_TNC-50-0-1/133_NE 22543407
TNC	plug (m) 2 ×	
Material	brass/SUCO	
VSWR	DC to 11 GHz	$\leq 1.03 + 0.025 \cdot f(\text{GHz})$

286	H+S type Item no.	34_SMC-50-0-2/111_NE 22640302
SMC	jack (f) 2 ×	
Material	brass/gold	
Mounting hole	ML 11	
VSWR	DC to 10 GHz	$\leq 1.03 + 0.08 \cdot f(\text{GHz})$

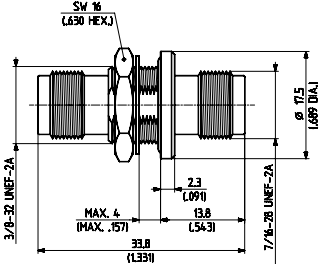
291	H+S type Item no.	33_TNC-50-0-1/133_NE 22543649
TNC	plug (m) jack (f)	
Material	brass/SUCO	
VSWR	DC to 11 GHz:	$\leq 1.10 + 0.027 \cdot f(\text{GHz})$

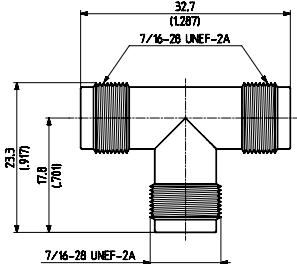
286	H+S type Item no.	46_SMC-50-0-2/111_NE 22640307
SMC	jack (f) 3 ×	
Material	brass/gold	
Mounting hole	ML 4	
VSWR	DC to 2 GHz	≤ 1.11
	2 to 8 GHz	≤ 1.50
	8 to 11 GHz	≤ 1.90

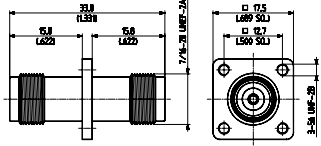
291	H+S type Item no.	34_TNC-50-0-1/133_NE 22640643
TNC	jack (f) 2 ×	
Material	brass/SUCO	
Mounting hole	ML 4	
VSWR	DC to 2 GHz	≤ 1.11
	2 to 8 GHz	≤ 1.50
	8 to 11 GHz	≤ 1.90

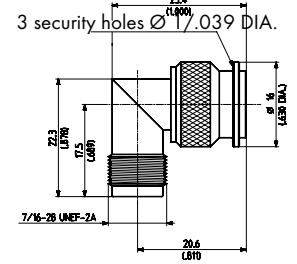
Introduction and general information on page 465 and 466/467.

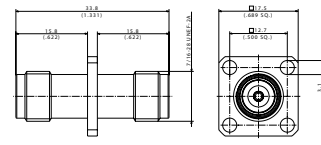
Adaptors

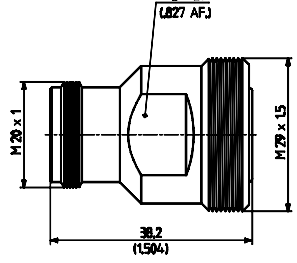
291	H+S type Item no.	34_TNC-50-0-4/133_NE 22658794
TNC	jack (f) 2 ×	
Material	brass/SUCO	
Mounting hole	ML 4	
VSWR	DC to 8 GHz	$\leq 1.07 + 0.01 \cdot f(\text{GHz})$

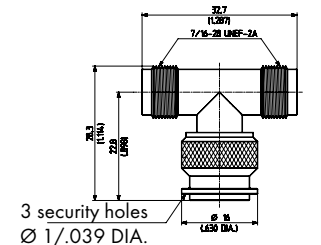
291	H+S type Item no.	46_TNC-50-0-1/133_NE 22640655
TNC	jack (f) 3 ×	
Material	brass/SUCO	

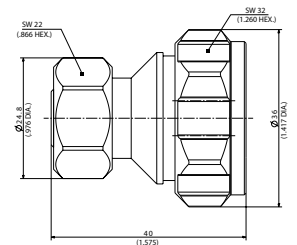
291	H+S type Item no.	37_TNC-50-0-1/133_NE 22640646
TNC	jack (f) 2 ×	
Material	brass/SUCO	
Mounting hole	ML 8	
Flange	4 threads	
VSWR	DC to 9 GHz 9 to 11 GHz	$\leq 1.09 + 0.16 \cdot f(\text{GHz})$ ≤ 2.53

291	H+S type Item no.	53_TNC-50-0-1/133_NE 22640659
TNC	plug (m) jack (f)	
Material	brass/SUCO	
VSWR	DC to 5 GHz 5 to 11 GHz	$\leq 1.03 + 0.11 \cdot f(\text{GHz})$ ≤ 1.58

291	H+S type Item no.	37_TNC-50-0-2/133_NE 22640648
TNC	jack (f) 2 ×	
Material	brass/SUCO	
Mounting hole	ML 8	
Flange	4 holes	
VSWR	DC to 9 GHz 9 to 11 GHz	$\leq 1.09 + 0.16 \cdot f(\text{GHz})$ ≤ 2.53

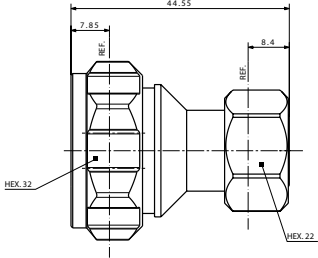
297	H+S type Item no.	31_4195-716-50-1/133_WE 22658138
4.1/9.5 7/16	jack (f) jack (f)	
Material	brass/SUCO	
PIM		$\leq -165 \text{ dBc}$

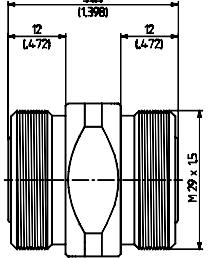
291	H+S type Item no.	43_TNC-50-0-1/133_NE 22640651
TNC	jack (f) 2 × plug (m) 1 ×	
Material	brass/SUCO	
VSWR		

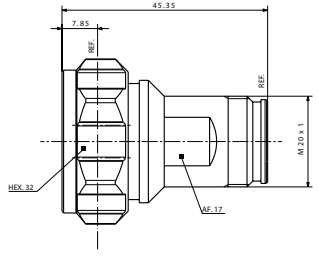
297	H+S type Item no.	32_4195-716-50-1/133_WE 85024384
4.1/9.5 7/16	plug (m) plug (m)	
Material	brass/SUCO	
PIM		$\leq -165 \text{ dBc}$

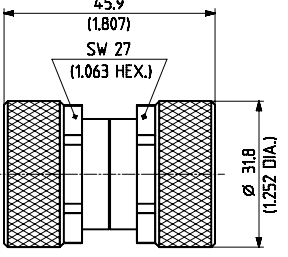
Introduction and general information on page 465 and 466/467.

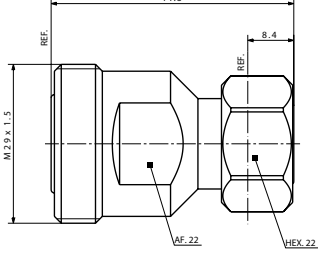
Adaptors

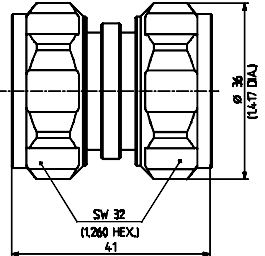
299	H+S type Item no.	32_4310-716-50-X1/133_WE 85017233
4.3-10 7/16	plug (m) plug (m)	
Material	brass/SUCO	
PIM	≤ -166 dBc	

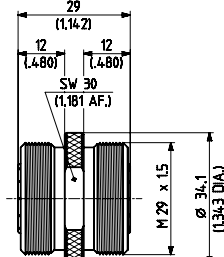
300	H+S type Item no.	31_716-50-0-2/133_WE 22658136
7/16	jack (f) 2 ×	
Material	brass/SUCO	
PIM	≤ -165 dBc	

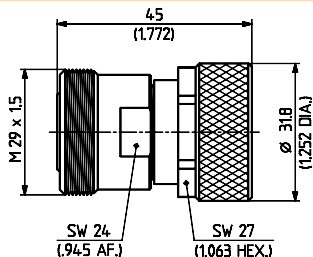
299	H+S type Item no.	33_716-4310-50-1/133_WE 85017213
7/16 4.3-10	plug (m) jack (f)	
Material	brass/SUCO	
PIM	≤ -166 dBc	

300	H+S type Item no.	32_716-50-0-1/003_E 22544118
7/16	plug (m) 2 ×	
Material	brass/silver	
VSWR	DC to 2 GHz	≤ 1.02
	2 to 4 GHz	≤ 1.03
	4 to 6 GHz	≤ 1.04

299	H+S type Item no.	33_4310-716-50-X1/133_WE 85017237
4.3-10 7/16	plug (m) jack (f)	
Material	brass/SUCO	
PIM	≤ -166 dBc	

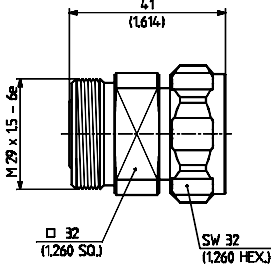
300	H+S type Item no.	32_716-50-0-2/133_WE 22658141
7/16	plug (m) 2 ×	
Material	brass/SUCO	
PIM	≤ -165 dBc	

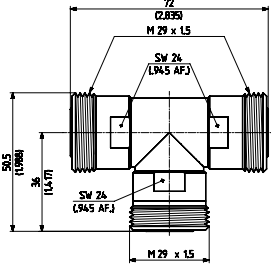
300	H+S type Item no.	31_716-50-0-1/003_E 22544117
7/16	jack (f) 2 ×	
Material	brass/SUCO	
VSWR	DC to 3 GHz	≤ 1.03
	3 to 7.5 GHz	≤ 1.03 + 0.01 • f (GHz)

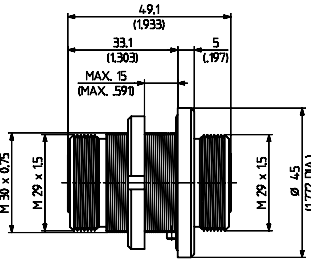
300	H+S type Item no.	33_716-50-0-1/003_E 22651577
7/16	plug (m) jack (f)	
Material	brass/silver	
VSWR	DC to 2 GHz	≤ 1.02
	2 to 4 GHz	≤ 1.03
	4 to 6 GHz	≤ 1.04

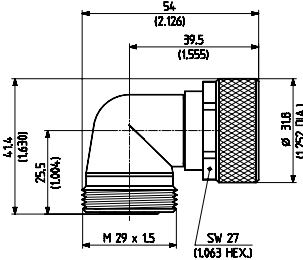
Introduction and general information on page 465 and 466/467.

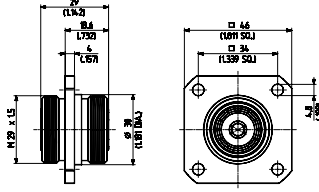
Adaptors

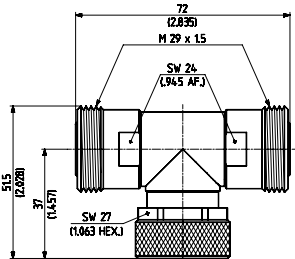
300	H+S type Item no.	33_716-50-0-2/133_WE 22658193
7/16	plug (m) jack (f)	
Material	brass/SUCO	
PIM	≤ -165 dBc	

300	H+S type Item no.	46_716-50-0-1/003_-E 22643266
7/16	jack (f) 3 ×	
Material	brass/SUCO	

300	H+S type Item no.	34_716-50-0-1/003_-E 22544120
7/16	jack (f) 2 ×	
Material	brass/SUCO	
Mounting hole	ML 29	
VSWR	DC to 4 GHz 4 to 7.5 GHz	≤ 1.02 + 0.05 • f (GHz) ≤ 1.22

300	H+S type Item no.	53_716-50-0-1/003_-E 22641259
7/16	plug (m) jack (f)	
Material	brass/SUCO	
VSWR	DC to 7.5 GHz	≤ 1.02 + 0.025 • f (GHz)

300	H+S type Item no.	37_716-50-0-1/003_-E 22544122
7/16	jack (f) 2 ×	
Material	brass/SUCO	
Mounting hole	ML 28	
VSWR	DC to 3 GHz 3 to 7.5 GHz	≤ 1.03 ≤ 1.03 + 0.01 • f (GHz)

300	H+S type Item no.	43_716-50-0-1/003_-E 22544572
7/16	jack (f) 2 × plug (m) 1 ×	
Material	brass/SUCO	

Introduction and general information on page 465 and 466/467.