

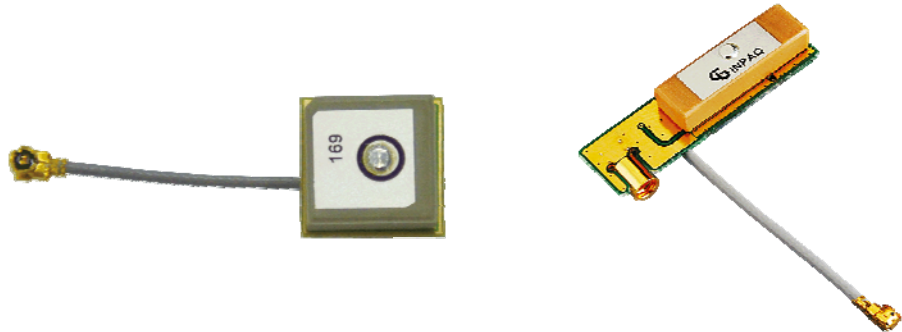
Active Antenna

Specification

Type	GPS
Part No	GPS391N-S3-00-A (Patch Circular) GPS398N-S3-00-A (Patch Linear) GPS396N-S3-00-A (Chip Linear)

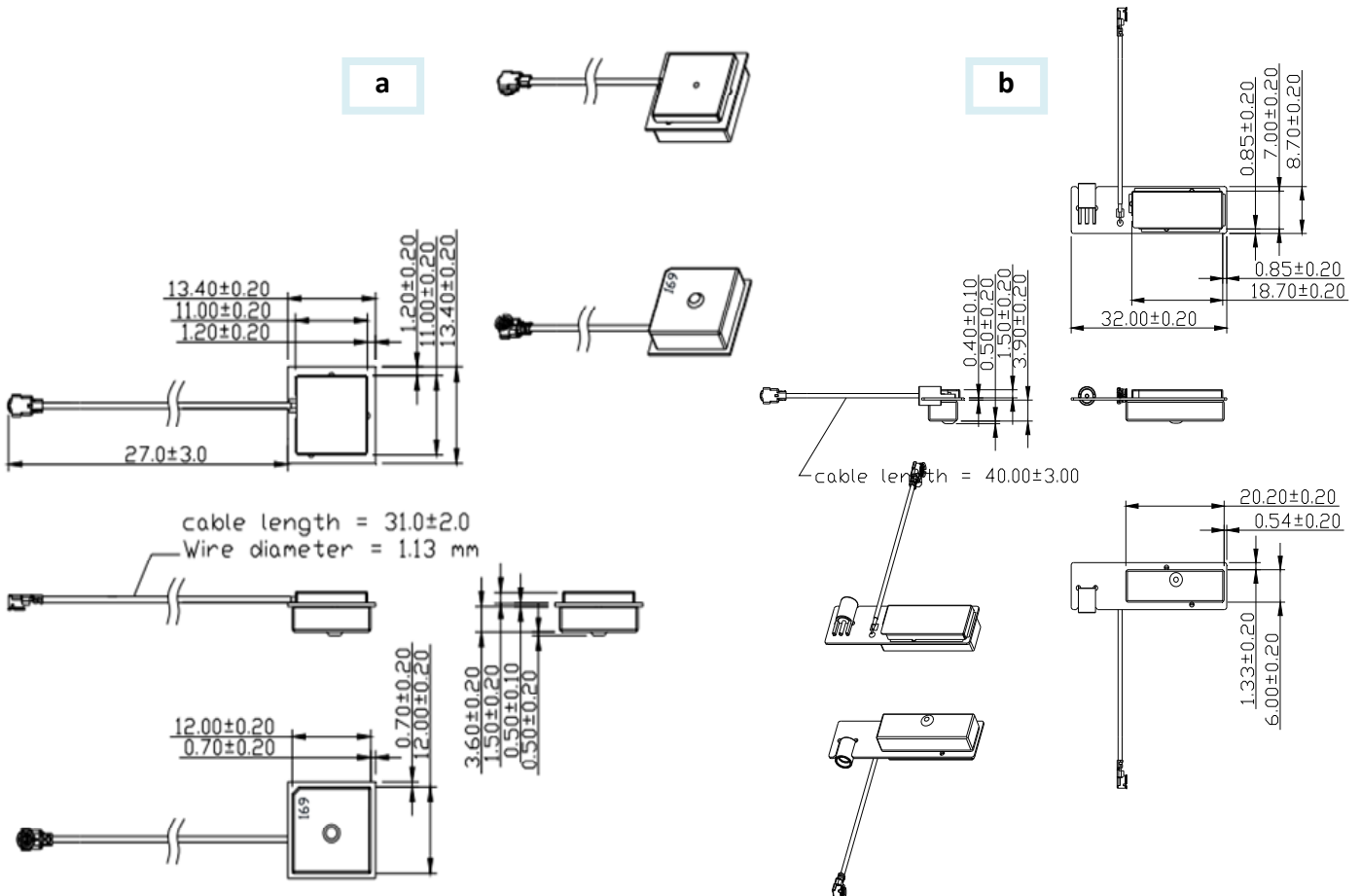
Product name	GPS391N-S3-00-A (Patch Circular)	GPS398N-S3-00-A (Patch Linear)
---------------------	---	---

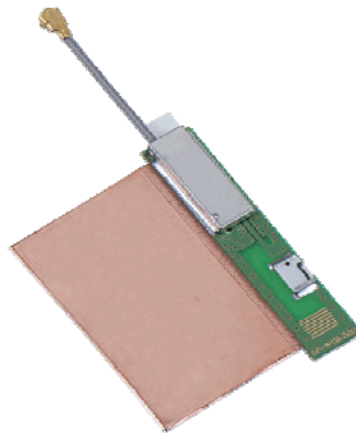
Appearance



Specification

Center Frequency (MHz)	1575.42±1.023	1575.42±1.023
Gain (dB)	17±3	20± (DC=3.0V)
Noise Figure (dB)	1.5 typ.(at 3.0±0.1V)	1.5 typ. (DC=3.0V)
Output V.S.W.R	2.0 typ.	2.0 max. (DC=3.0V).
Voltage (V)	3.0±0.3	3.0 ±0.3
Current (mA)	3.5±1.5	4±2
Dimension (mm)	a. 13.4 x 13.4 x 5.6	b. 32.0 x 8.7 x 6.3



Product name
GPS396N-S3-00-A
(Chip Linear)
Appearance

Specification

Center Frequency (MHz)	1575.42±1.023
Gain (dB)	18.5±3.0
Noise Figure (dB)	2 typ.
Output V.S.W.R	2.0 max.
Voltage (V)	3.0±0.3
Current (mA)	4.0±1.5
Dimension (mm)	37.0 x 8.0 x 2.5

