

DAM-L8-K-N0-000-03-13

1. Explanation of Part Number

DAM – L8 - K – N0 - 000 - 03 - 13
 (1) (2) (3) (4) (5) (6) (7)

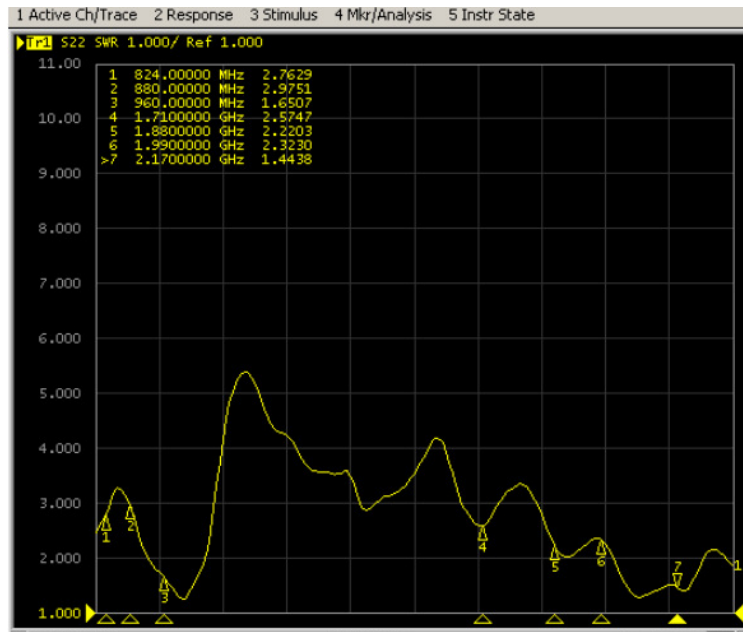
- (1) Product type : DAM-Dipole Antenna Module
- (2) Appearance Series : L8
- (3) Frequency : K =824-960MHz, 1710-2170MHz
- (4) Coaxial Cable Specification : No Cable
- (5) Coaxial Cable Length : 000=No Length
- (6) Connector Types :03= SMA connector
- (7) Suffix for special requirements :13=no cable

✳ RoHS Compliant

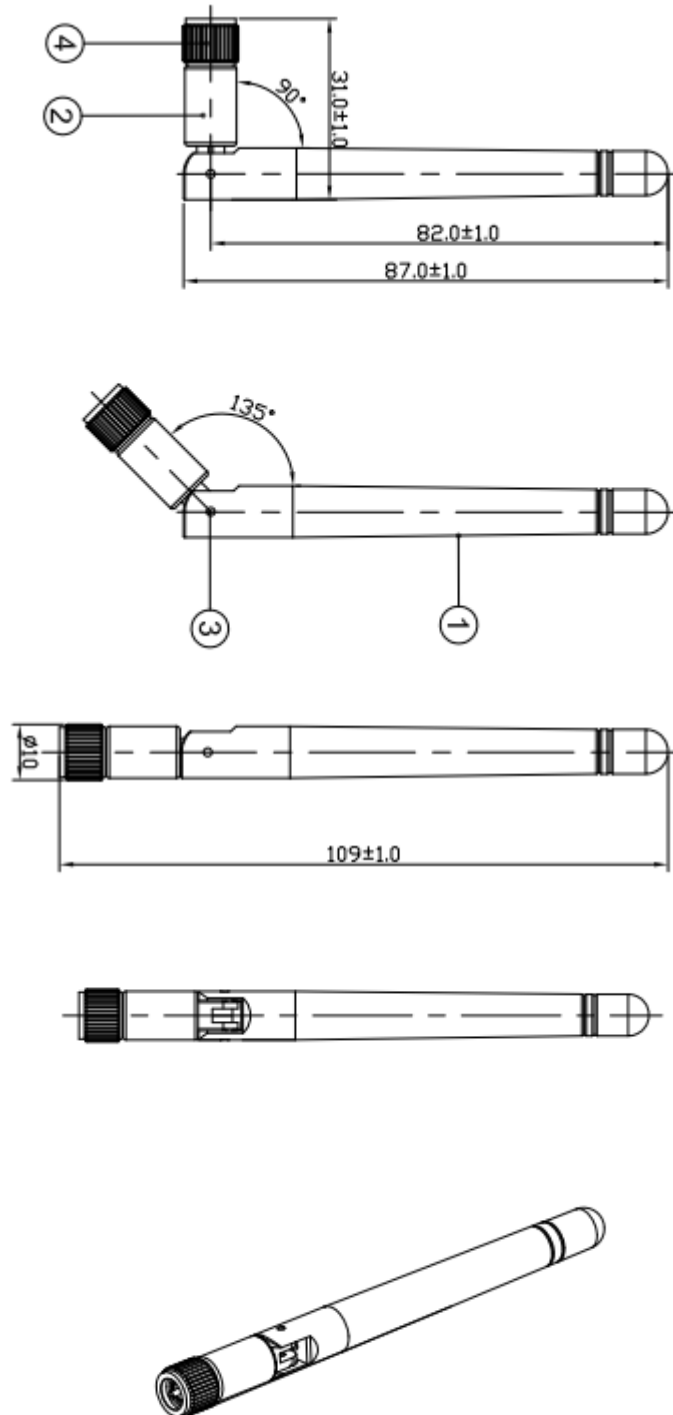
2. Electrical properties:

Item	Property
Frequency Range	824-960MHz, 1710-2170MHz
Impedance	50 Ω (Typ.)
VSWR	4.0 max.
Return Loss	-4.4 dB max.
Peak Gain	2.0 dBi (Typ.)

3. Test Data:



4. Mechanical properties:



Item	Parts	Material
1	Antenna	ABS
2	Antenna connector	ABS
3	Antenna spindle	ABS
4	SMA RP Plug	COPPER

5. Environmental Characteristics:

No	Item	Test Condition	Specification
4-1	High Temperature/Humidity	1. Temperature : $+60\pm 2^{\circ}\text{C}$. 2. Humidity : 90~95%RH 3. Time : 24hrs	After 2hours recovery 1.No visible damage
4-2	Hige Temperature Endurance	1. Temperature : $90\pm 2^{\circ}\text{C}$. 2. Humidity : 0%RH 3. Time : 24hrs	2.Freq Tol.: $\leq \pm 5\%$
4-3	Temperature Shock Test	1. Temperature : $-40\pm^{\circ}\text{C} \sim +90^{\circ}\text{C}$. 2. Time : 30 minutes/dwelling, 5 minutes/ transition, 24 cycles	