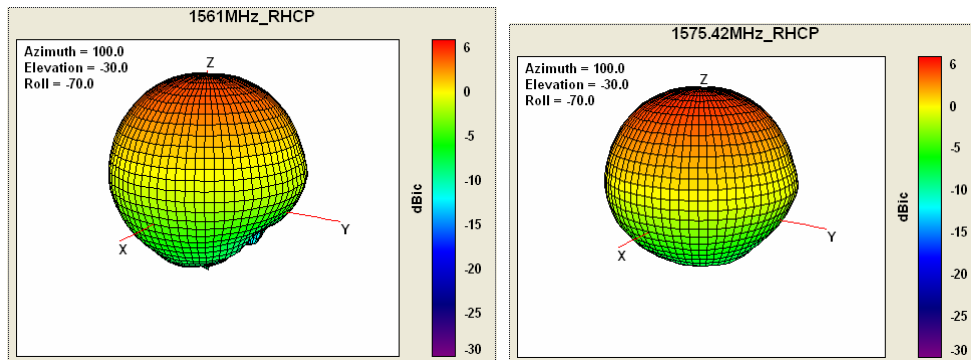


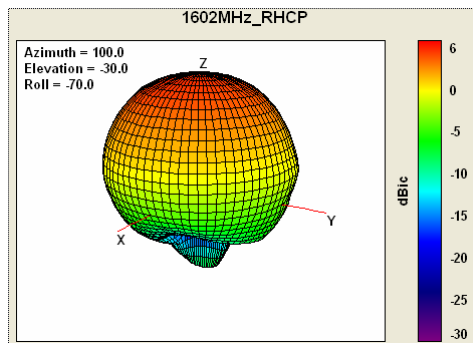


2.2 Gain Pattern (Unit : dBic)

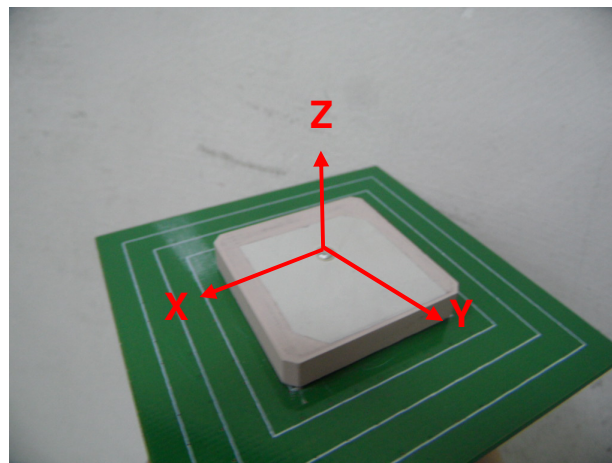


1561MHz

1575.42MHz

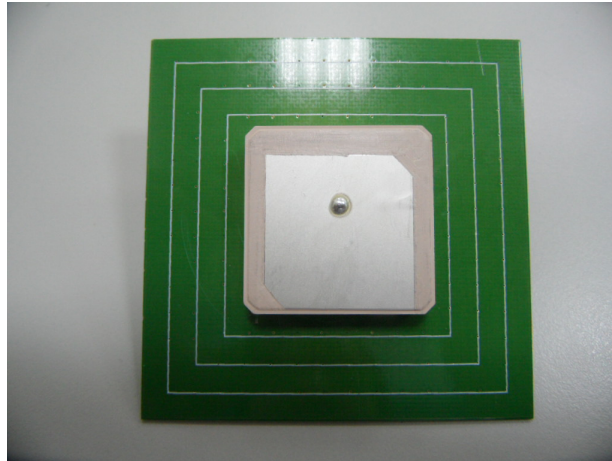


1602MHz

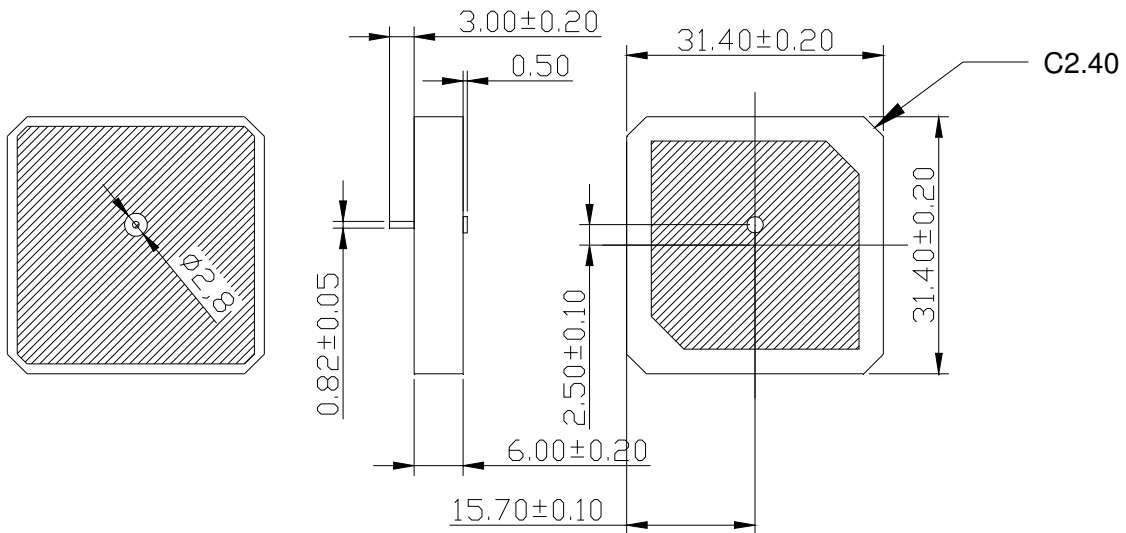


UNLESS OTHER SPECIFIED TOLERANCES ON :			<b>INPAQ TECHNOLOGY CO., LTD.</b>	
X=±	X.X=±			
ANGLES=±		HOLEDIA=±		
SCALE :	UNIT : mm			
DRAWN BY : 詹雅萍	CHECKED BY : 鄭大福			
DESIGNED BY: 馬敏勝	APPROVED BY : 曾源標			
TITLE : PAT1585MH6G-101-18M ENGINEERING SPECIFICATION		DOCUMENT NO.	ENS000067710	SPEC REV. P0

2.3 Antenna Direction



3. Dimension:

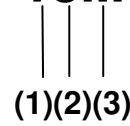


Unit: mm

UNLESS OTHER SPECIFIED TOLERANCES ON :		 <b>INPAQ TECHNOLOGY CO., LTD.</b>
X=±	X.X=±	
ANGLES=±	HOLEDIA=±	THIS DRAWINGS AND SPECIFICATIONS ARE THE PROPERTY OF INPAQ TECHNOLOGY CO.,LTD.AND SHALL NOT BE REPRODUCED OR USED AS THE BASIS FOR THE MANUFACTURE OR SALE OF APPARATUS OR DEVICES WITHOUT PERMISSION
SCALE :	UNIT : mm	
DRAWN BY : 詹雅萍	CHECKED BY : 鄭大福	
DESIGNED BY: 馬敏勝	APPROVED BY : 曾源標	
TITLE : PAT1585MH6G-101-18M ENGINEERING SPECIFICATION		DOCUMENT NO. <b>ENS000067710</b>
		SPEC REV. <b>P0</b>

### 4.Explanation of Appendix

# PAT1585MH6G-101- 18M

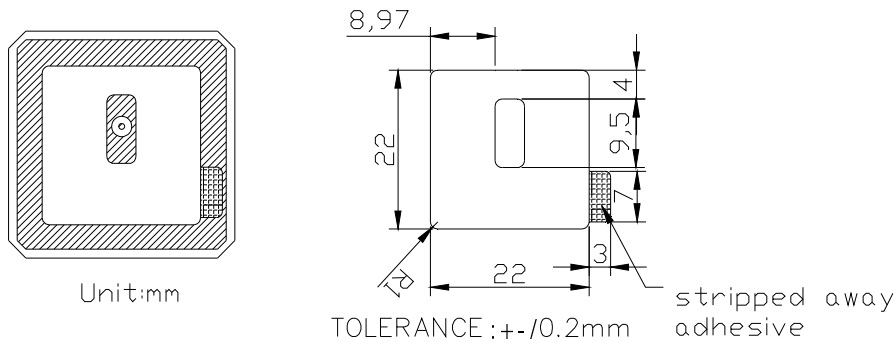


(1) Pin Length = 3 mm

(2) Adhesive Tape for Customer **8** 22×22mm


Adhesive Transfer Tape Specification

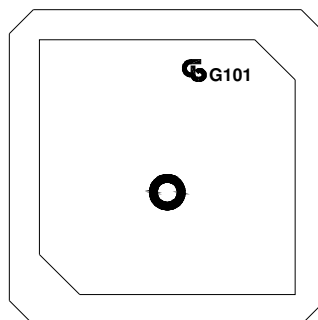
- 2.1 TAPE : Nitto 5000NS 22x22x0.16mm
- 2.2 Thickness : 0.16 mm
- 2.3 Release Liner : 0.1mm (typ.) printed paper or paper
- 2.4 Dimension : mm



(3) Option appendix **M** Marking

Marking configuration

- 3.1 Logo  for INPAQ Logo
- 3.2 Type **G** for green product antenna
- 3.3 Three digits are the code of our project number **101**



UNLESS OTHER SPECIFIED TOLERANCES ON :		 <b>INPAQ TECHNOLOGY CO., LTD.</b>		
X=±	X.X=±			
ANGLES=±	HOLEDIA=±	THIS DRAWINGS AND SPECIFICATIONS ARE THE PROPERTY OF INPAQ TECHNOLOGY CO.,LTD.AND SHALL NOT BE REPRODUCED OR USED AS THE BASIS FOR THE MANUFACTURE OR SALE OF APPARATUS OR DEVICES WITHOUT PERMISSION		
SCALE :	UNIT : mm			
DRAWN BY : 詹雅萍	CHECKED BY : 鄭大福			
DESIGNED BY: 馬敏勝	APPROVED BY : 曾源標			
TITLE : PAT1585MH6G-101-18M ENGINEERING SPECIFICATION		DOCUMENT NO.	ENS000067710	SPEC REV. P0