



VANSONIC ENTERPRISE CO.,LTD.

8F.,No.7,Lane 16, Sec.2, Szechwan Road, Panchiao, Taipei Hsien, TAIWAN.

TEL: +866-2-29626335

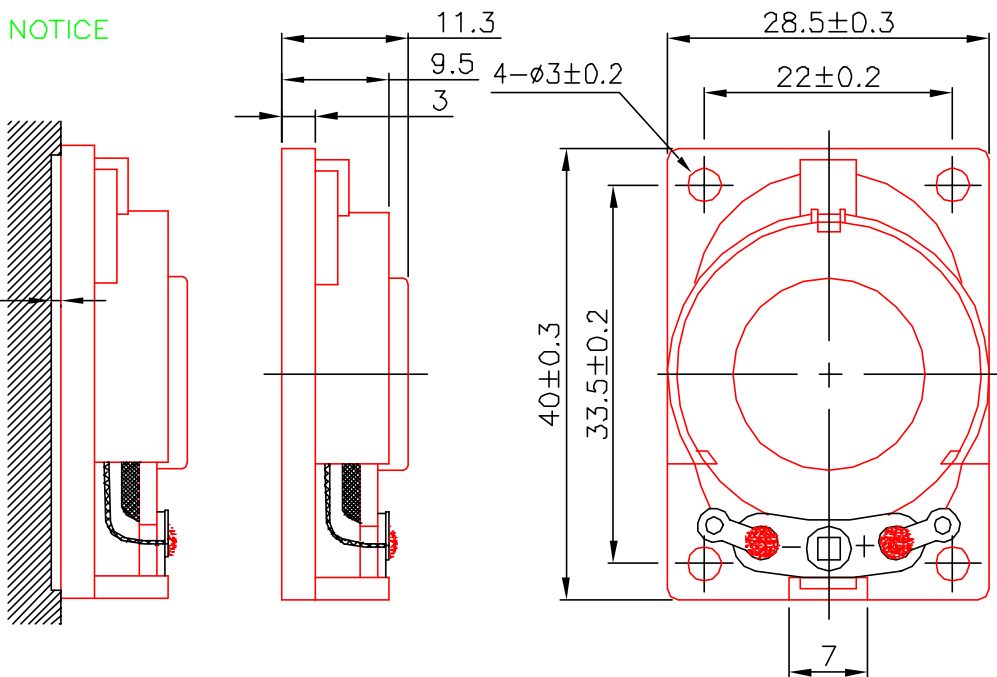
FAX: +866-2-29625220

E-MAIL: vansonic@ms4.hinet.net

1.	MODEL:	40KC08-3			
2.	Dimension	Outer Diameter	28.5 x 40 mm.	Baffle Opening	26 x 38 mm.
		Height	Refer to Drawing	Weight	12 Grams.
3.	Magnet	Materials	Rare Earth	Size	ϕ 12.5 x 1.5 mm.
4.	Nominal Impedance		8 Ω \pm 15 %	At	1500 Hz.
5.	Power Rating	Normal	3 W.	Maximum	4 W.
6.	Lowest Resonant Frequency		420 \pm 20 %		Hz.
7.	Output Sound Pressure Lever (S.P.L.)		82 \pm 3 db / 1.0 Watt . 0.5 Meter.		
		Average at	600, 800, 1000, 1200		Hz.
8.	Frequency Range		200 ~ 20000 Hz.	Average S P L - 10 db.	
9.	Distortion		5 % Maximum At 1000 Hz.	1 W.	
10.	Abnormal Sound Test	Must be Normal Tested By 4.9 Volts. Sine Wave.			
11.	Load Test	White Noise with Weighted Filter 4.9 Volts.(RMS) 24 Hrs.			
12.	Polarity	Diaphragm shall move Forward when Apply a Positive DC.			
		Current to the "+" or "Marked" Terminal.			

MOUNTING NOTICE

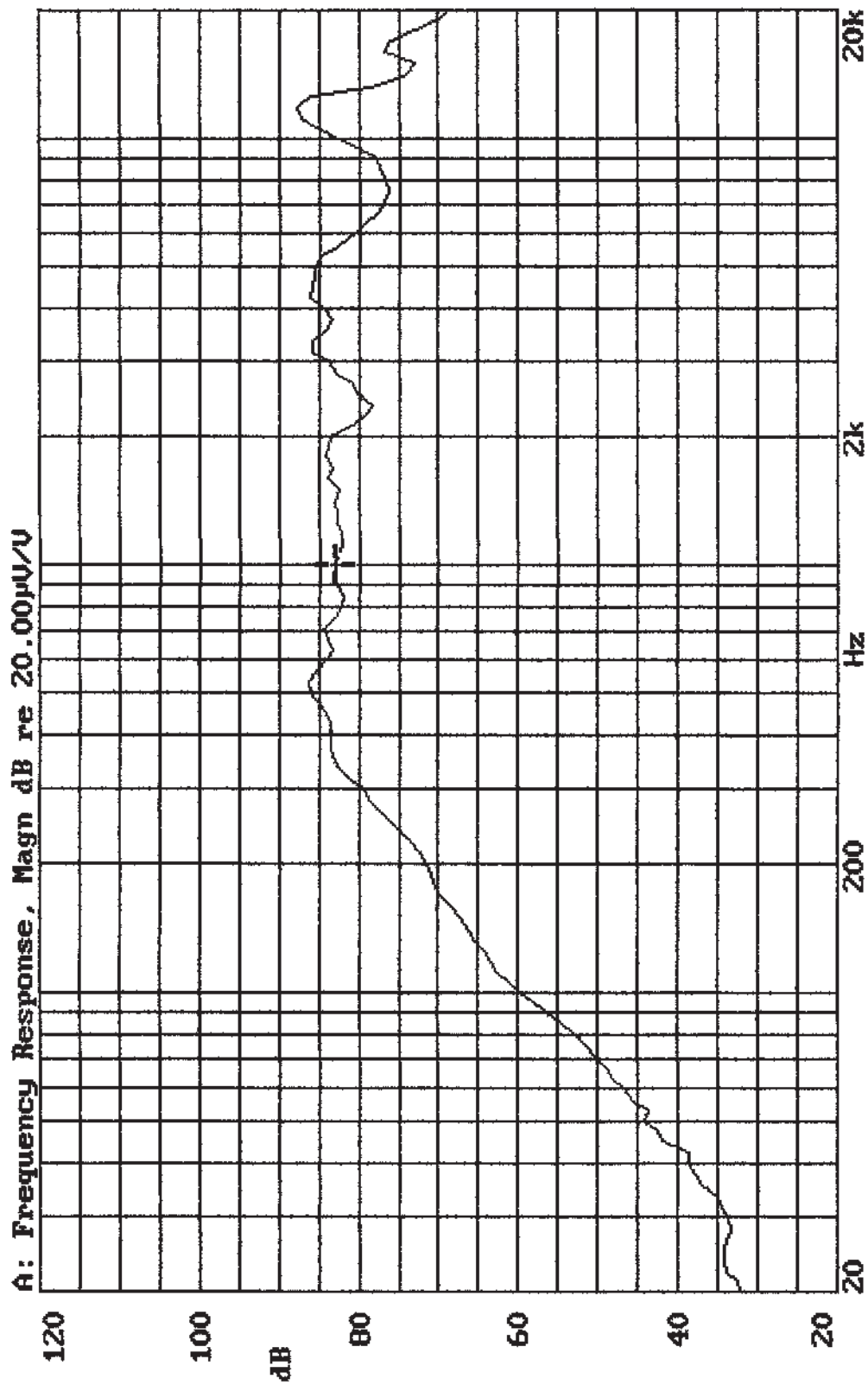
AT LEAST
0.6mm
FOR
DIAPHRAGM
MOVING



Unit : mm

Housing Material : ABS

40KC08-3 VOL:2.83V(1W) DIS:0.5M VANSONIC
X:1.0000kHz *Y:82.95dB ZA:1.0000 SSR Fund.



23-AUG-2002 15:07:05

Mode: SSR

