

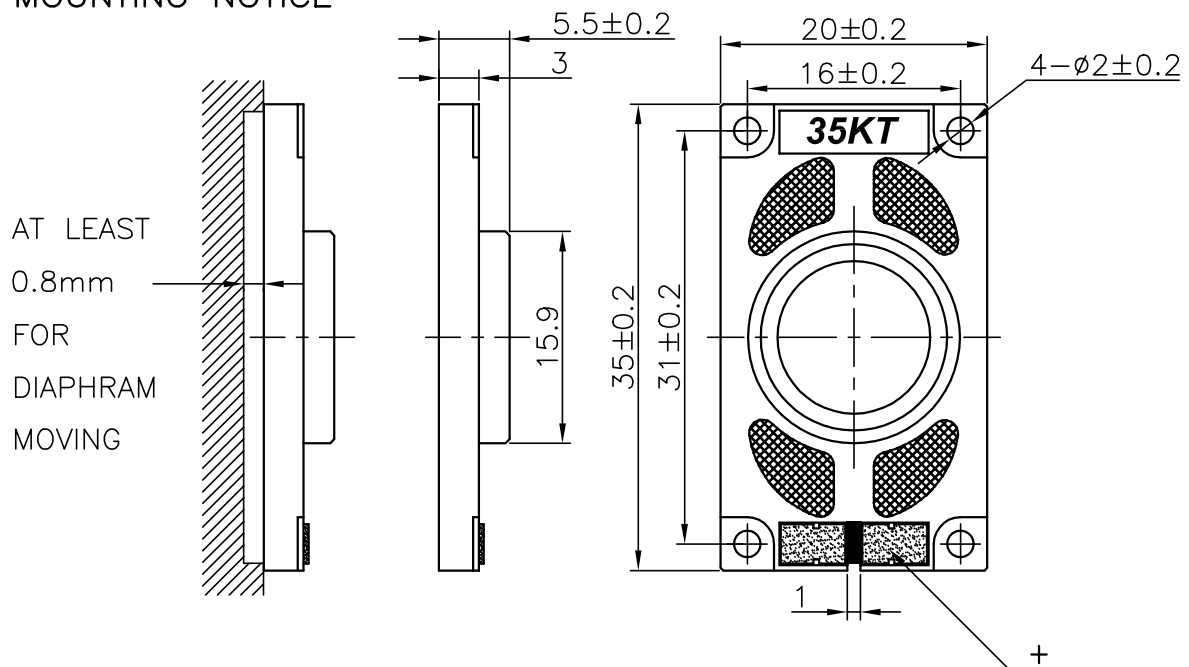
# VECO VANSONIC ENTERPRISE CO., LTD.

8F., No.7, Lane 16, Sec.2, Szechwan Road, Panchiao, Taipei Hsien, TAIWAN.

TEL: +886-2-29626335      FAX: +886-2-29625220      E-MAIL: VANSONIC@MS4.HINET.NET

1.	<b>MODEL:</b>	<b>35KT08-1 -E50NT(Resistant High Temperature)</b>		
2.	Dimension	Outer Diameter	<b>35X20</b>	mm.
		Height	<b>Refer to Drawing .</b>	Weight <b>4.2</b> Grams.
3.	Magnet	Materials	<b>Rare Earth .</b>	Size $\phi$ <b>9.5X1.5</b> mm.
4.	Nominal Impedance	<b>8 <math>\Omega</math></b>	$\pm$ <b>15 %</b>	At <b>1500</b> Hz.
5.	Power Rating	Normal	<b>1000</b> mW.	Maximum <b>1500</b> mW.
6.	Lowest Resonant Frequency	<b>590</b>	$\pm$ <b>20 %</b>	Hz.
7.	Output Sound Pressure Lever (S.P.L.)	<b>86</b>	$\pm$ <b>3</b> db / 1.0 Watt · 0.5 Meter.	
		Average at	<b>600, 800, 1000, 1200</b>	Hz.
8.	Frequency Range	<b>400 ~ 20000</b>	Hz.	Average SPL - 10 db.
9.	Distortion	<b>5 %</b>	Maximum At <b>1000</b> Hz.	<b>1000</b> mW.
10.	Abnormal Sound Test	Must be Normal Tested By <b>2.9</b> Volts. Sine Wave.		
11.	Load Test	White Noise with Weighted Filter <b>2.9</b> Volts.(RMS) <b>24</b> Hrs.		
12.	Polarity	Diaphragm shall move Forward when Apply a Positive DC.		
		Current to the "+" or "Marked" Terminal.		

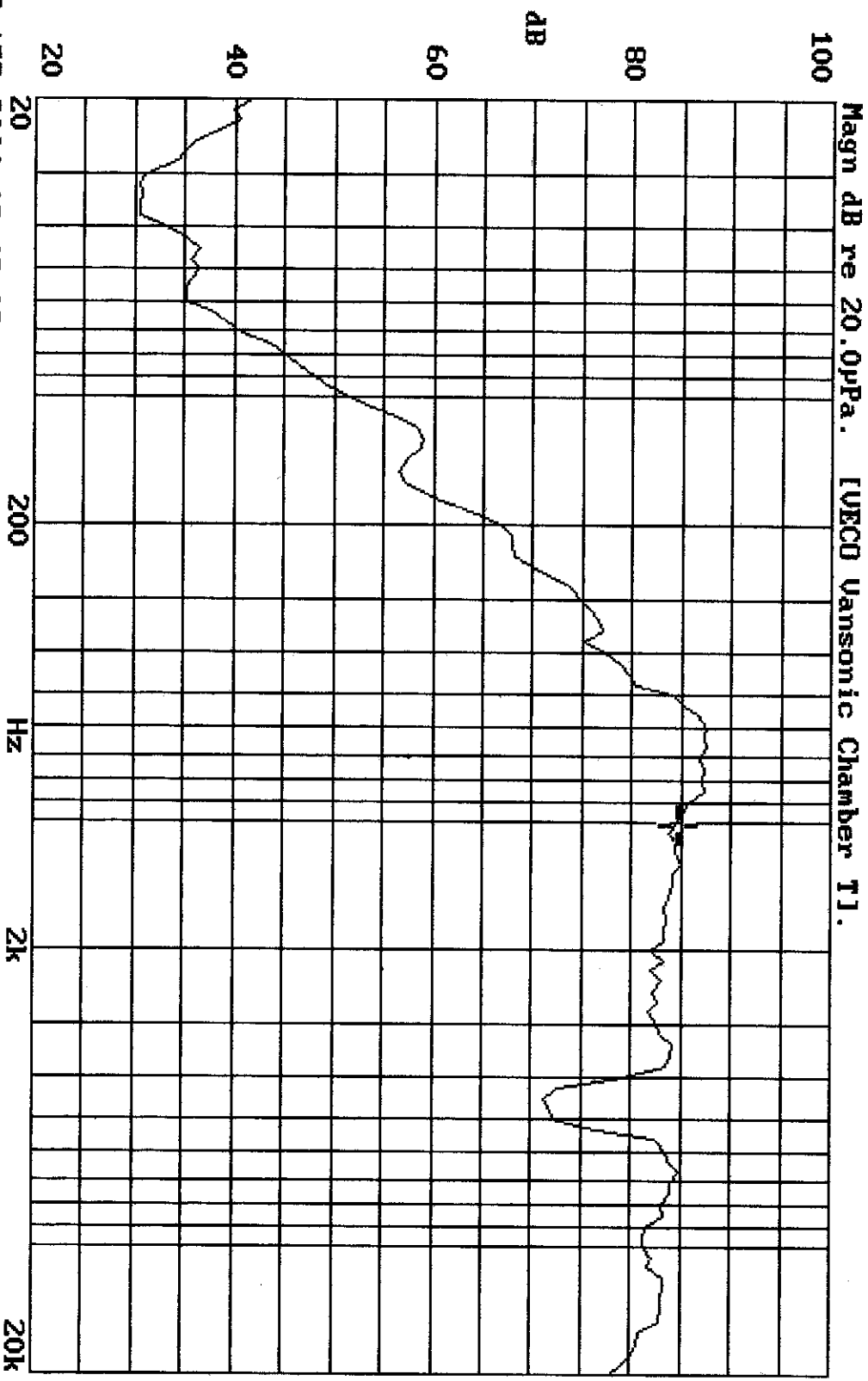
## MOUNTING NOTICE



Unit : mm

Housing Material : ABS + 20% FG

35K108 VOL:2.828V(1.0W) DIS:0.5M VANSONIC  
X:1.0000KHz \*Y:84.60dB ZA:1.0000 SSR Fund.



25-APR-2001 13:49:08

Mode: SSR

