

VECO VANSONIC ENTERPRISE CO., LTD.

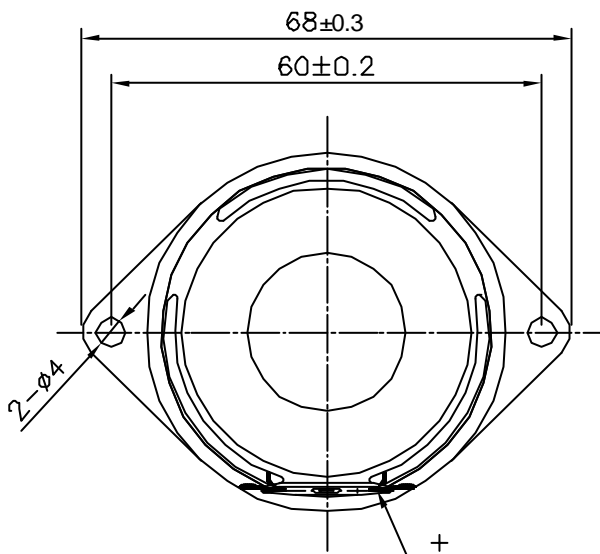
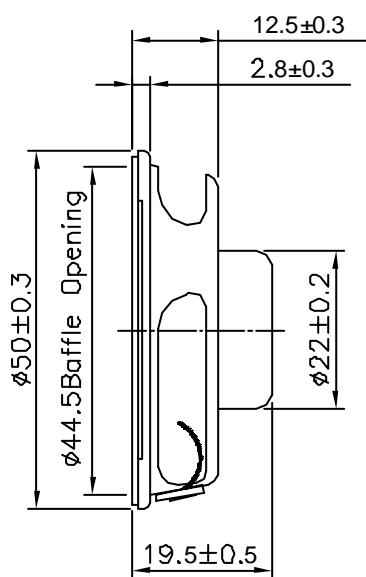
8F.,No.7,Lane 16, Sec.2, Szechwan Road, Panchiao, Taipei Hsien, TAIWAN.

TEL: +886-2-29626335

FAX: +886-2-29625220

E-MAIL: vansonic@ms4.hinet.net

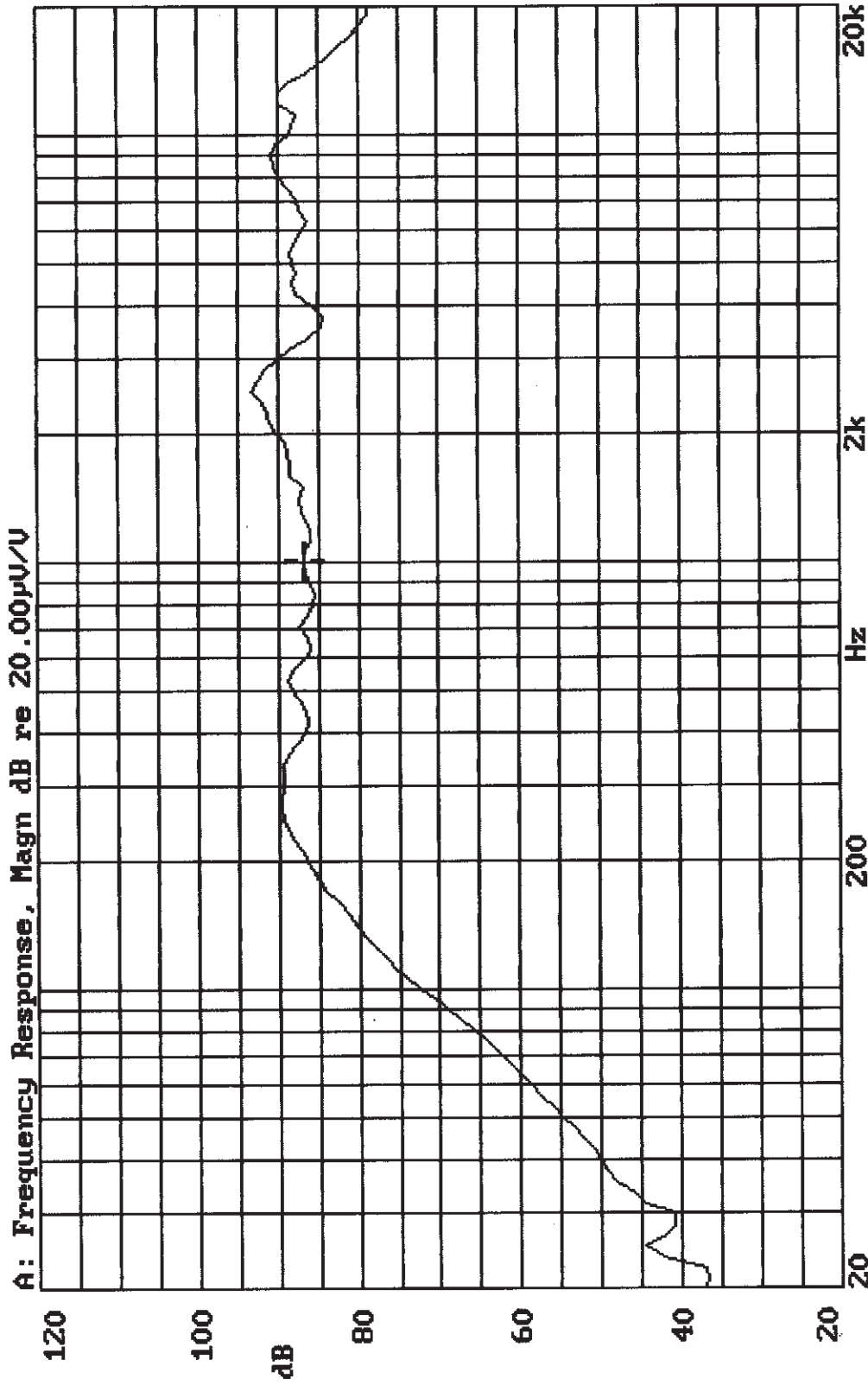
1.	MODEL:	50DMF08H-1			
2.	Dimension	Outer Diameter	ϕ 50 mm.	Baffle Opening	ϕ 44.5 mm.
		Height	Refer to Drawing.	Weight	32 Grams.
3.	Magnet	Materials	NdFeB	Size	ϕ 12.5 X 2.0 mm.
4.	Nominal Impedance	8	\pm 15 %	At	1000 Hz.
5.	Power Rating	Normal	2.0 W.	Maximum	3.0 W.
6.	Lowest Resonant Frequency	230	\pm 20 %		Hz.
7.	Output Sound Pressure Level (S.P.L.)	86	\pm 3 db / 1.0 Watt		0.5 Meter.
		Average at 800, 1000, 1200, 1500 Hz.			
8.	Frequency Range	110	~ 20000 Hz.	Average SPL	- 10 db.
9.	Distortion	5 %	Maximum At	1000 Hz.	1 W.
10.	Abnormal Sound Test	Must Be Normal Test By 4.9 Volts. Sine Wave.			
11.	Load Test	White Noise With Weighted Filter 4.9 Volts.(RMS) 24 Hrs.			
12.	Polarity	Diaphragm shall move Forward when Apply a Positive DC.			
		Current to the "+" or "Marked" Terminal.			



Unit : mm

Housing Material : METAL

P50DMF08H-1 VOL:2.83V(1W) DIS:0.5M VANSONIC SSR Fund.
X:1.0000kHz *Y:86.75dB ZA:1.0000



21-JUL-2004 17:28:10

Mode: SSR

