

VECO VANSONIC ENTERPRISE CO., LTD.

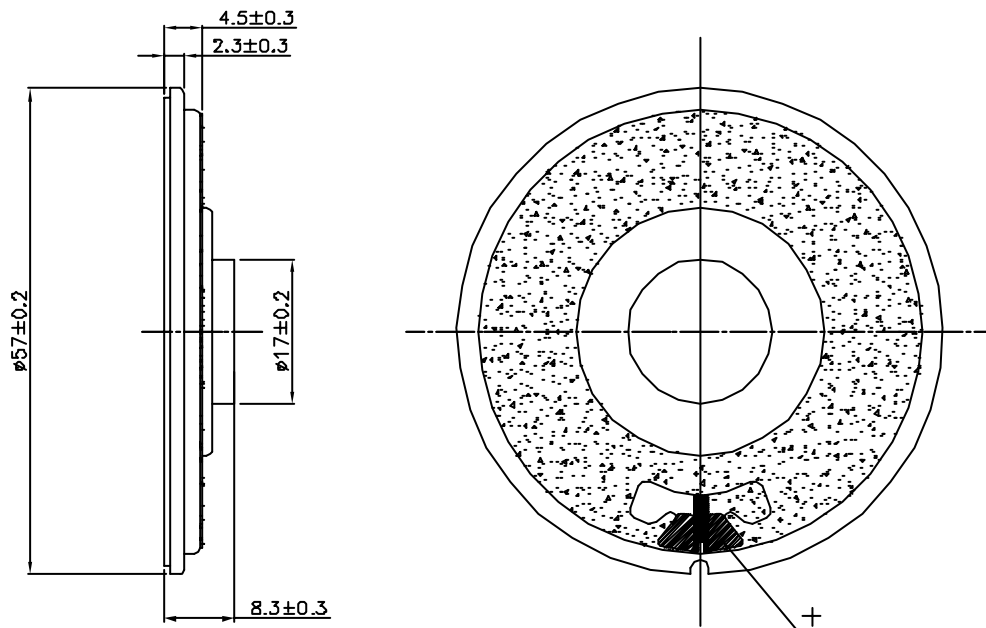
8F.,No.7,Lane 16, Sec.2, Szechwan Road, Panchiao, Taipei Hsien, TAIWAN.

TEL: +886-2-29626335

FAX: +886-2-29625220

E-MAIL: vansonic@ms4.hinet.net

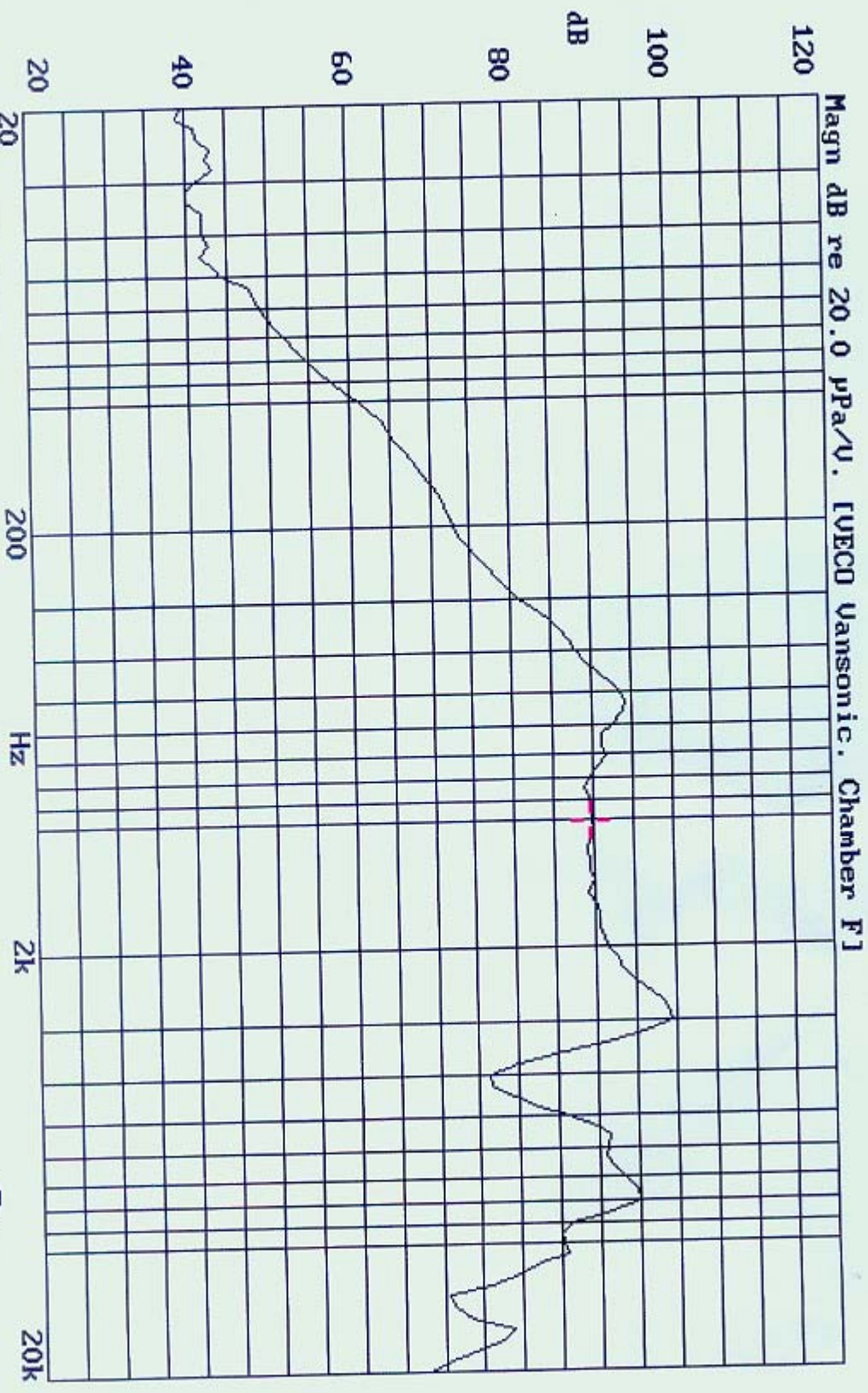
1.	MODEL:	P57CSF08-1-M75ND			
2.	Dimension	Outer Diameter $\phi 57$ mm.	Baffle Opening $\phi 52$ mm.		
		Height Refer to Drawing .	Weight 16.7	Grams.	
3.	Magnet	Materials Rear Earth	Size $\phi 12.5 \times 1.5$ mm.		
4.	Nominal Impedance	8 \pm 15 %	At 1200 Hz.		
5.	Power Rating	Normal 1 W.	Maximum 1.5 W.		
6.	Lowest Resonant Frequency	480 \pm 20 %	Hz.		
7.	Output Sound Pressure Level (S.P.L.)	90 \pm 3 db / 1.0 Watt . 0.5 Meter.			
		Average at 800, 1000, 1200, 1500 Hz.			
8.	Frequency Range	300 ~ 13000 Hz.	Average S P L - 10 db.		
9.	Distortion	5 % Maximum At 1000 Hz.	1.0 W.		
10.	Abnormal Sound Test	Must Be Normal Test By 2.83 Volts. Sine Wave.			
11.	Load Test	White Noise With Weighted Filter 2.83 Volts.(RMS) 96 Hrs.			
12.	Polarity	Diaphragm shall move Forward when Apply a Positive DC.			
		Current to the "+" or "Marked" Terminal.			



Unit : mm

Housing Material : METAL

P57CSF08-1-M75ND UOL:2.83U(1U) DIS:0.5M VANSONIC
X:1.0000KHz *Y:89.74dB ZA:1.0000 SSR Fund.



17-AUG-2004 10:32:41

Mode: SSR

