

VECO **VANSONIC ENTERPRISE CO.,LTD.**

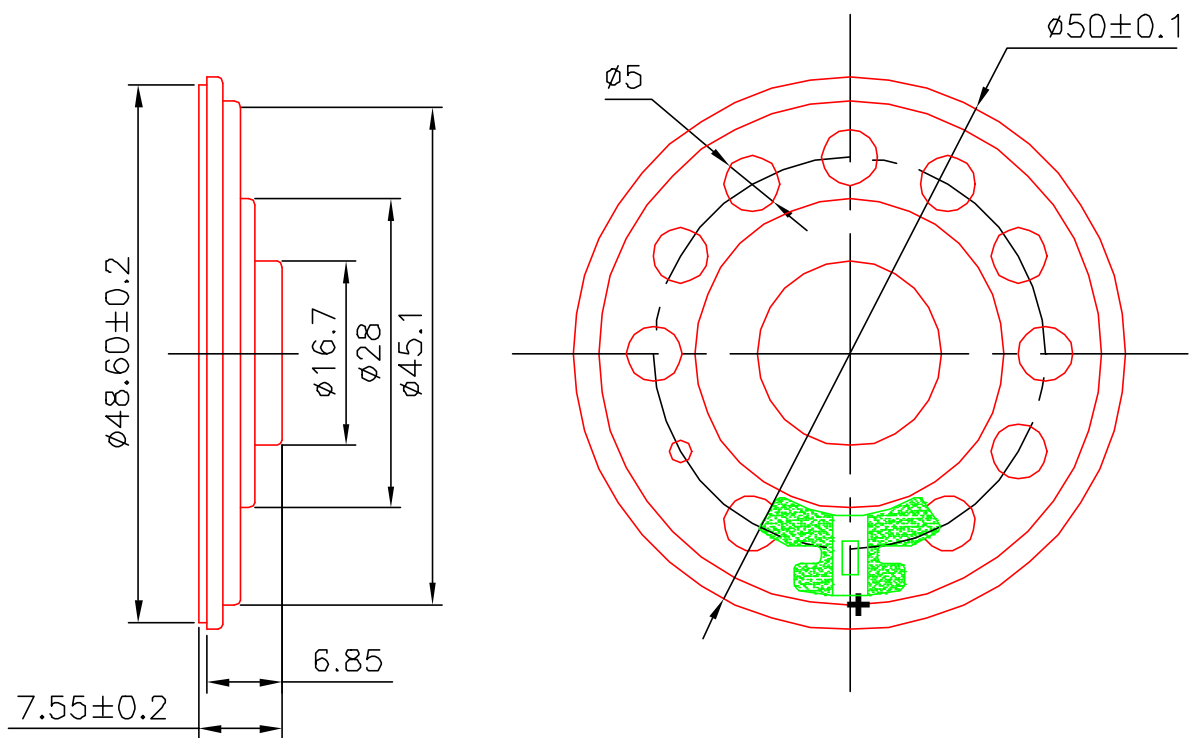
8F.,No.7,Lane 16, Sec.2, Szechwan Road, Panchiao, Taipei Hsien, TAIWAN.

TEL: +886-2-29626335

FAX: +886-2-29625220

E-MAIL: vansonic@ms4.hinet.net

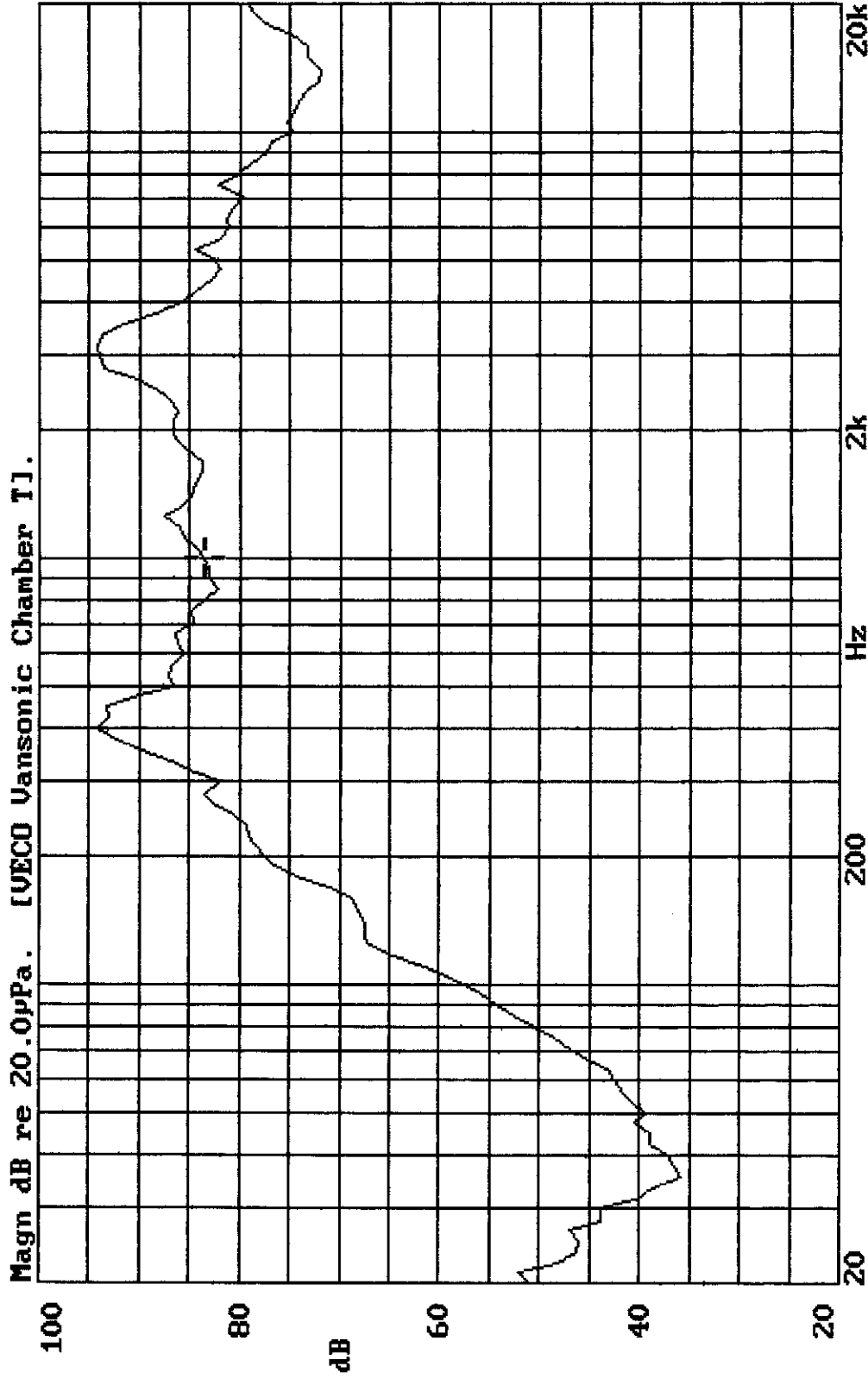
1.	MODEL:	50CS08FH-1 -M75NT(Clear Mylar) -M75ND(Black Mylar)
2.	Dimension	Outer Diameter 50 mm. Baffle Opening 48.87 mm.
		Height Refer to Drawing Weight 13.1 Grams.
3.	Magnet	Materials Rare Earth Size ϕ 12.5x1.5 mm.
4.	Nominal Impedance	8 Ω \pm 15 % At 1000 Hz.
5.	Power Rating	Normal 300 mW. Maximum 600 mW.
6.	Lowest Resonant Frequency	400 \pm 20 % Hz.
7.	Output Sound Pressure Lever (S.P.L.)	85 \pm 3 db / 0.3 Watt . 0.5 Meter.
		Average at 600, 800, 1000, 1200 Hz.
8.	Frequency Range	200 ~ 5000 Hz. Average S P L - 10 db.
9.	Distortion	5 % Maximum At 1k Hz. 300 mW.
10.	Abnormal Sound Test	Must be Normal Tested By 1.6 Volts. Sine Wave.
11.	Load Test	White Noise with Weighted Filter 1.6 Volts.(RMS) 24 Hrs.
12.	Polarity	Diaphragm shall move Forward when Apply a Positive DC.
		Current to the "+" or "Marked" Terminal.



Unit : mm

Housing Material : METAL

50CS08FH-1-M75ND VOL:1.549V(0.3W) DIS:0.5M VANSONIC
X:1.0000kHz *Y:83.45dB ZA:Live Curve SSR Fund.



03-OCT-2000 09:29:59

Mode: SPEAKER

