

VECO VANSONIC ENTERPRISE CO., LTD.

8F.,No.7,Lane 16, Sec.2, Szechwan Road, Panchiao, Taipei Hsien, TAIWAN.

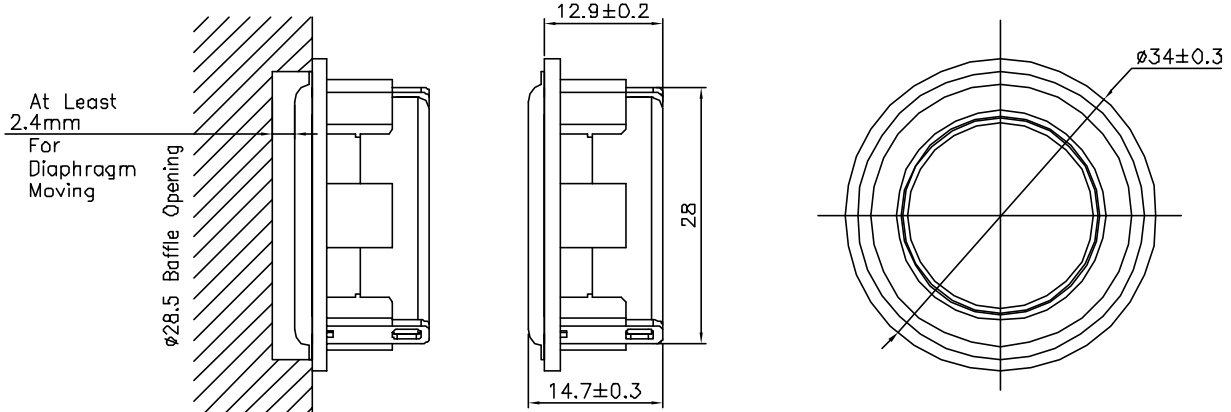
TEL: +866-2-29626335

FAX: +866-2-29625220

E-MAIL: vansonic@ms4.hinet.net

1.	MODEL:	34RC08-1			
2.	Dimension	Outer Diameter	$\phi 34$ mm.	Baffle Opening	$\phi 28.5$ mm.
		Height	Refer to Drawing	Weight	27 Grams.
3.	Magnet	Materials	Rare Earth	Size	$\phi 19 \times 3.4$ mm.
4.	Nominal Resistance	8 Ω	± 15 %		
5.	Power Rating	Normal	3 W.	Maximum	5 W.
6.	Lowest Resonant Frequency	170	± 20 %		Hz.
7.	Output Sound Pressure Lever (S.P.L.)	82	± 3 db / 1.0 Watt	0.5	Meter.
		Average at	600, 800, 1000, 1200		Hz.
8.	Frequency Range	120 ~ 20000	Hz.	Average S P L - 10	db.
9.	Distortion	5 %	Maximum At	1000 Hz.	1 W.
10.	Abnormal Sound Test	Must be Normal Tested By		4.9 Volts.	Sine Wave.
11.	Load Test	White Noise with Weighted Filter		4.9 Volts.(RMS)	24 Hrs.
12.	Polarity	Diaphragm shall move Forward when Apply a Positive DC.			
		Current to the "+" or "Marked" Terminal.			

MOUNTING NOTICE



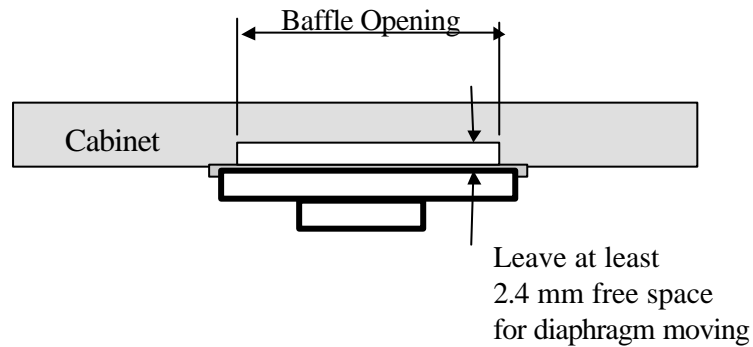
Unit : mm

Housing Material : PBT

User precaution and Test method.

1. Mounting precaution.

Keep clearance in front of the speaker, at least leave 2.4 mm for diaphragm moving freely.



2. Environment test - High temperature.

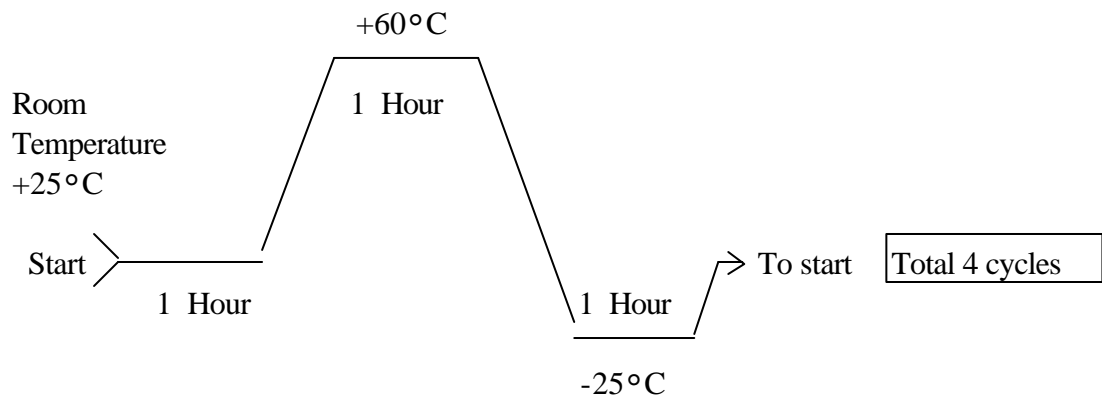
After exposure the speaker in the $+ 60 \pm 2$ °C chamber for 24 hours, then leave the speaker at room temperature for 1 hour, the SPL should not deviate by ± 3 db, and resonant frequency should not deviate by ± 50 Hz, compare with pre-test measurement.

3. Environment test - Low temperature.

After exposure the speaker in the $- 25 \pm 2$ °C chamber for 24 hours, then leave the speaker at room temperature for 1 hour, the SPL should not deviate by ± 3 db, and resonant frequency should not deviate by ± 50 Hz, compare with pre-test measurement.

4. Environment test - Temperature cycle.

After exposure the speaker in the chamber, temperature cycle setting as below shows, SPL should not deviate by ± 4 db, and resonant frequency should not deviate by ± 80 Hz, compare with pre-test measurement.



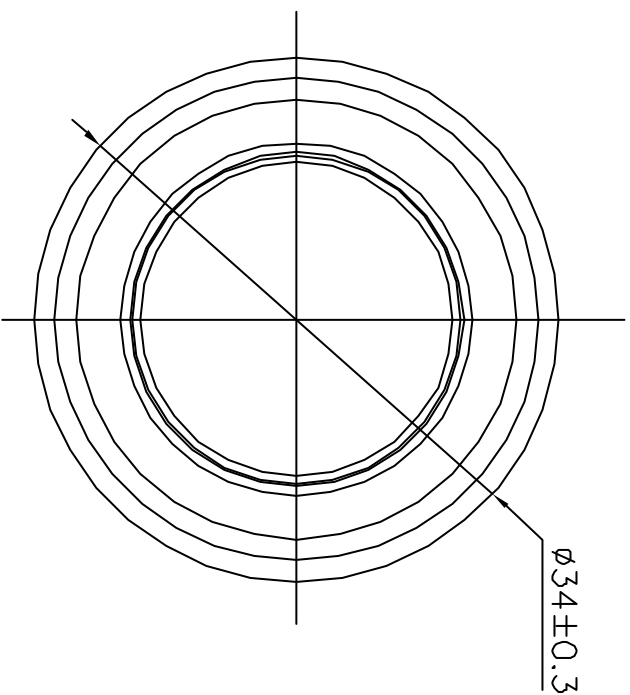
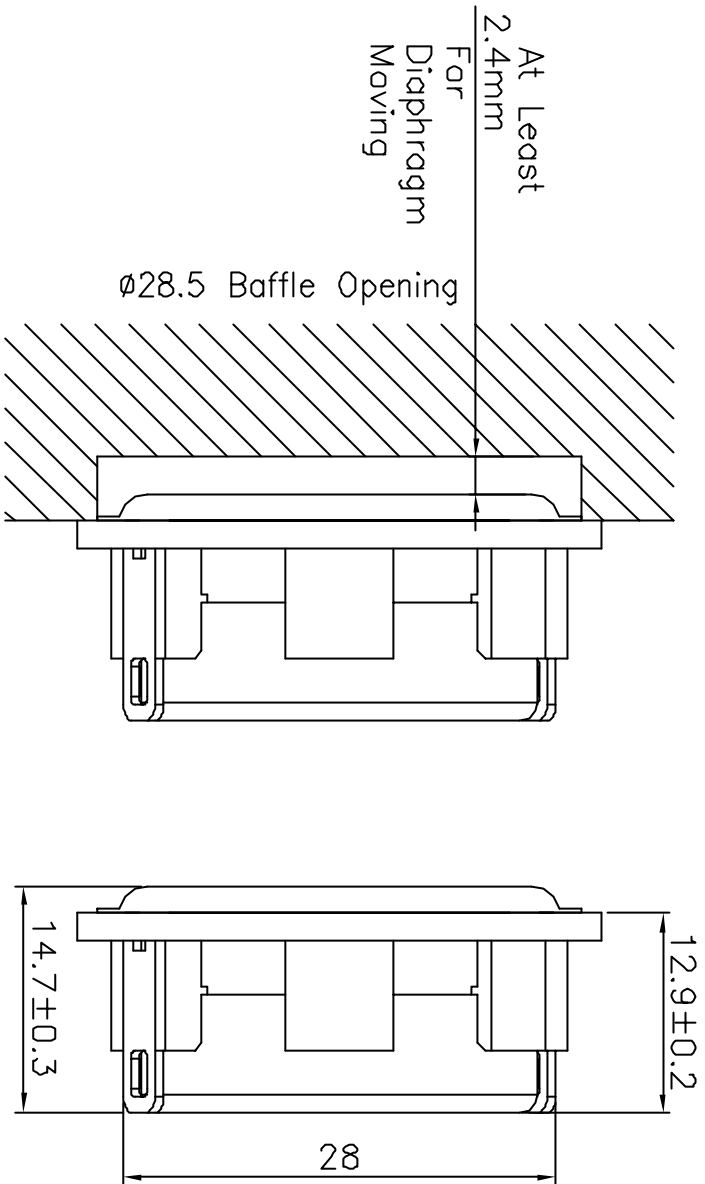
5. Environment test - Humidity.

After exposure the speaker in the $+ 40 \pm 2$ °C, relative humidity 90% ~ 95% chamber for 24 hours, then leave the speaker at room temperature for 6 hours, the SPL should not deviate by ± 3 db, and resonant frequency should not deviate by ± 50 Hz, compare with pre-test measurement.

6. Load test

Speaker should not fail after apply 20 ~ 20K Hz while noise rated power input (RMS), 24 hours.

MOUNTING NOTICE



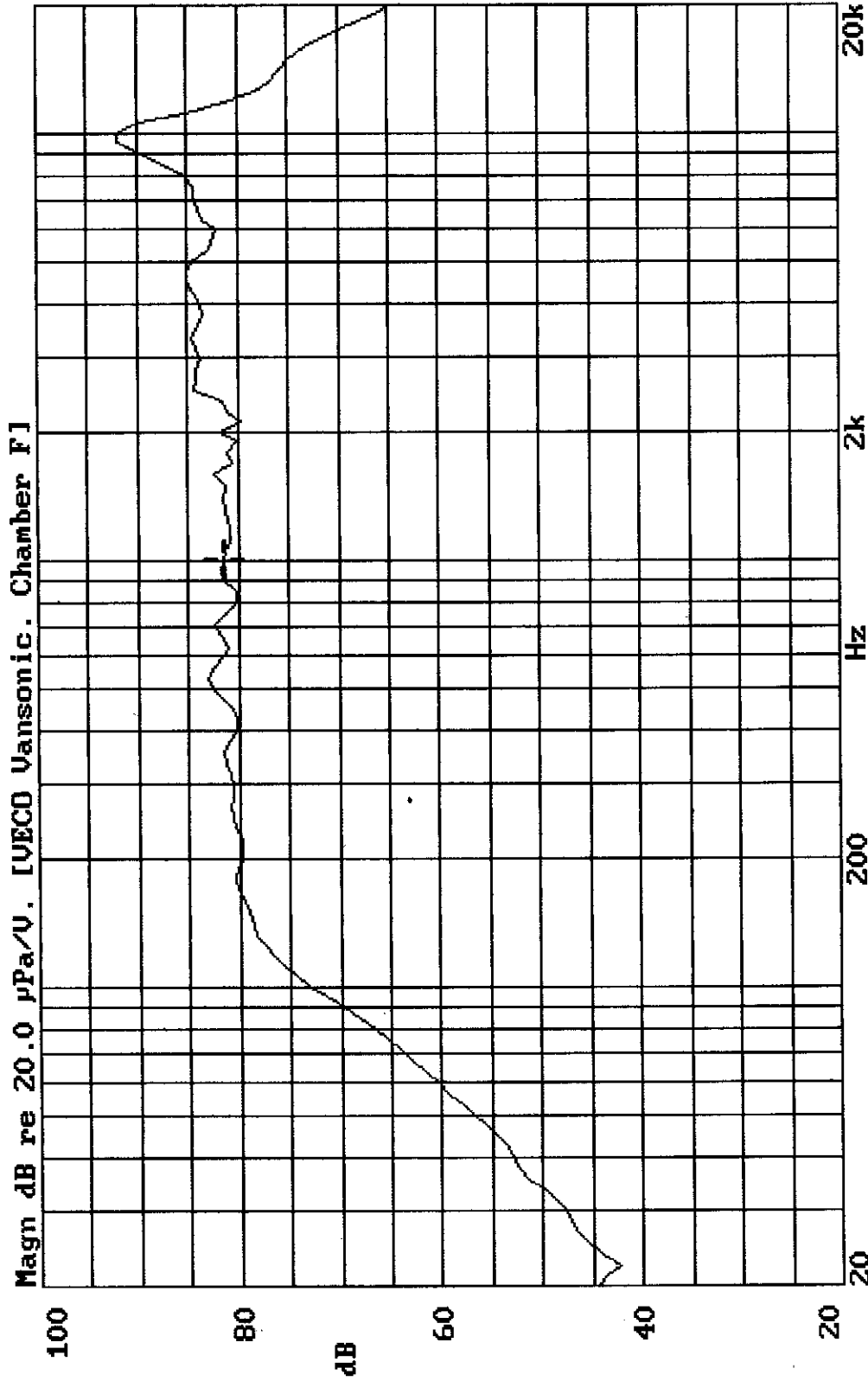
Vansonic Enterprise CO.,Ltd.
 統立企業
 E-MAIL: VANSONIC@MS4.HINET.NET
 TEL.: +886-2-29626335 FAX: +886-2-29625220

Title: P34RC08-1

G:\DWG\VECO\34P34RC08-1.DWG

V 1.0	02.04.02		
VERSION	DATE		
Unit: mm	Scale:	Appr.:	DESCRIPTION
Tol.:		CHK.:	Dwg.:

34RC08-1 VOL:2.83V(1W) DIS:0.5M VANSONIC
X:1.0000kHz *Y:81.54dB ZA:1.0000 SSR Fund.



02-APR-2002 17:10:03

Mode: SPEAKER

