



VANSONIC ENTERPRISE CO.,LTD.

8F.,No.7,Lane 16, Sec.2, Szechwan Road, Panchiao, Taipei Hsien, TAIWAN.

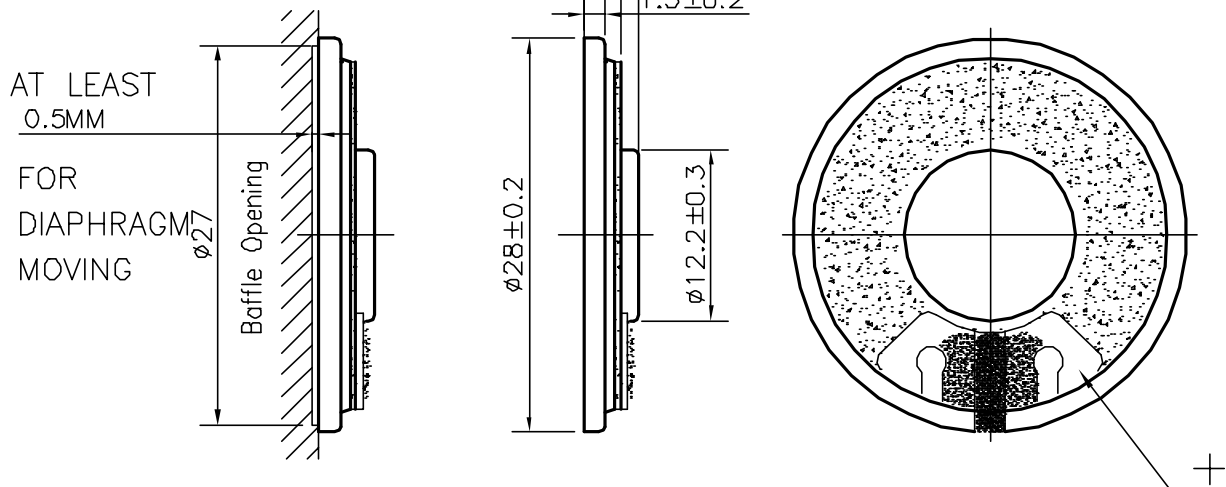
TEL: +866-2-29626335

FAX: +866-2-29625220

E-MAIL:vansonic@ms4.hinet.net

1.	MODEL:	28CS08FL -50ND(Black Mylar) -50NT(Clear Mylar)						
2.	Dimension	Outer Diameter	28	mm.	Baffle Opening	27	mm.	
		Height	Refer to Drawing	.	Weight	4.2	Grams.	
3.	Magnet	Materials	Rare earth	.	Size	∅ 9.5X1.5	mm.	
4.	Nominal Impedance	8	±	15	%	At	1000	Hz.
5.	Power Rating	Normal	1.0	W.	Maximum	1.5	W.	
6.	Lowest Resonant Frequency	620	±	20	%		Hz.	
7.	Output Sound Pressure Lever (S.P.L.)	85	±	3	db /	1.0 Watt	. 0.5	Meter.
		Average at	800,	1000,	1200,	1500	Hz.	
8.	Frequency Range	400	~	6500	Hz.	Average S P L -	10	db.
9.	Distortion	5	%	Maximum At	1000	Hz.	1.0	W.
10.	Abnormal Sound Test	Must Be Normal Tested By			2.83	Volts.	Sine Wave.	
11.	Load Test	White Noise With Weighted Filter			2.83	Volts.(RMS)	96	Hrs.
12.	Polarity	Diaphragm shall move Forward when Apply a Positive DC.						
		Current to the "+" or "Marked" Terminal.						

MOUNTING NOTICE

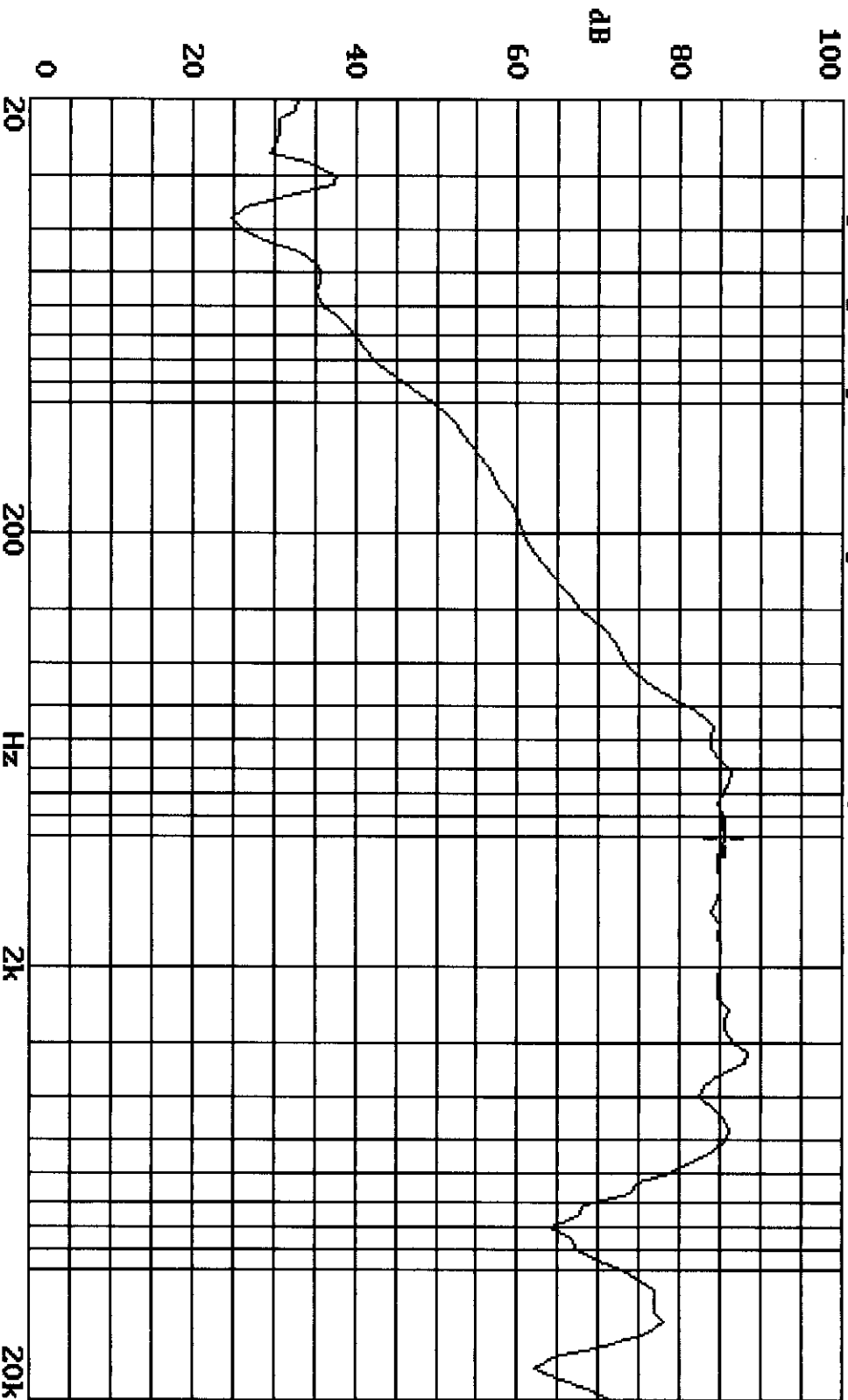


Unit : mm

Housing Material : METAL

P28CS08FL-50ND VOL:2.83U(1U) DIS:0.5M VANSOINIC
X:1.0000KHZ *Y:85.38dB ZA:1.0000 SSR Fund.

A: Frequency Response, Magn dB re 20.00µV/V



12-SEP-2003 10:28:31

Mode: SSR

