

# VECO VANSONIC ENTERPRISE CO., LTD.

8F., No. 7, Lane 16, Sec. 2, Szechwan Road, Panchiao, Taipei Hsien, TAIWAN.

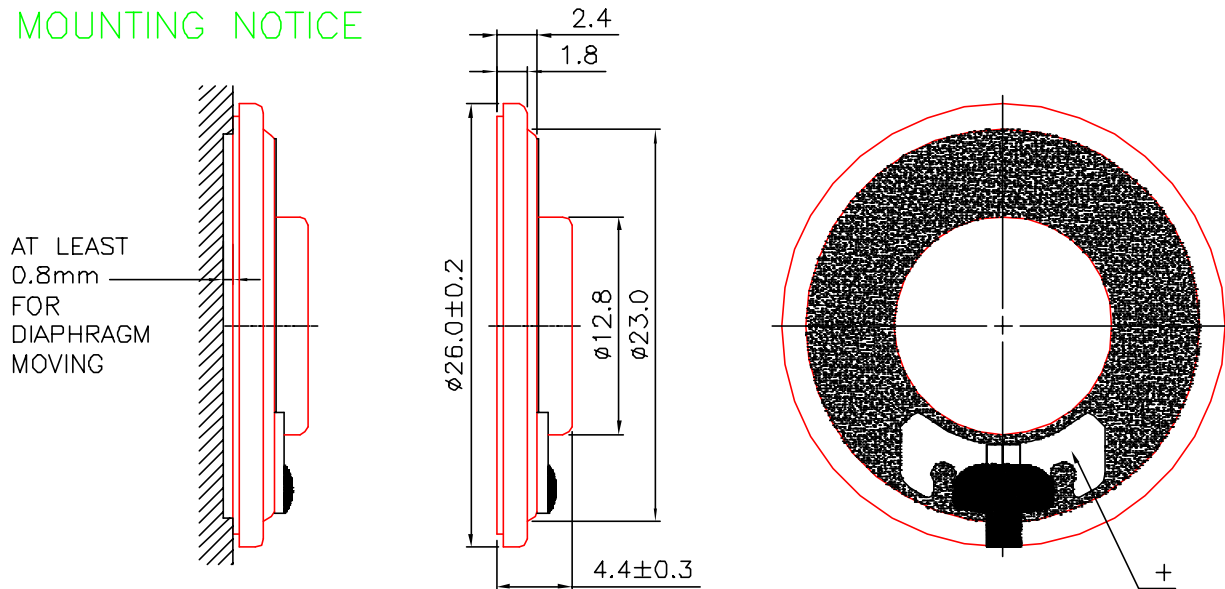
TEL: +886-2-29626335

FAX: +886-2-29625220

E-MAIL: vansonic@ms4.hinet.net

1.	<b>MODEL:</b>	<b>26CR08F</b> -M50ND(Black Mylar)-M50NT(Clear Mylar)					
2.	Dimension	Outer Diameter	<b>26</b>	mm.	Baffle Opening	<b>22.5</b>	mm.
		Height	Refer to Drawing .		Weight	<b>4.6</b>	Grams.
3.	Magnet	Materials	<b>Rare Earth</b> .		Size	$\phi$ <b>9.5X1.5</b> mm.	
4.	Nominal Impedance	<b>8</b>	$\pm$	<b>15</b>	%	At	<b>1500</b> Hz.
5.	Power Rating	Normal	<b>500</b>	mW.	Maximum	<b>1000</b> mW.	
6.	Lowest Resonant Frequency	<b>540</b>	$\pm$	<b>20</b>		%	Hz.
7.	Output Sound Pressure Level (S.P.L.)	<b>83</b>	$\pm$	<b>3</b>	db / 0.5 Watt .	0.5 Meter.	
		Average at		<b>600, 800, 1000, 1200</b>	Hz.		
8.	Frequency Range	<b>450</b>	~	<b>20000</b>		Hz. Average SPL - 10 db.	
9.	Distortion	<b>5</b>	%	Maximum At	<b>1000</b>	Hz.	<b>500</b> mW.
10.	Abnormal Sound Test	Must Be Normal Test By		<b>2.0</b>	Volts.	Sine Wave.	
11.	Load Test	White Noise With Weighted Filter		<b>2.0</b>	Volts.(RMS)	<b>24</b> Hrs.	
12.	Polarity	Diaphragm shall move Forward when Apply a Positive DC.					
		Current to the "+" or "Marked" Terminal.					

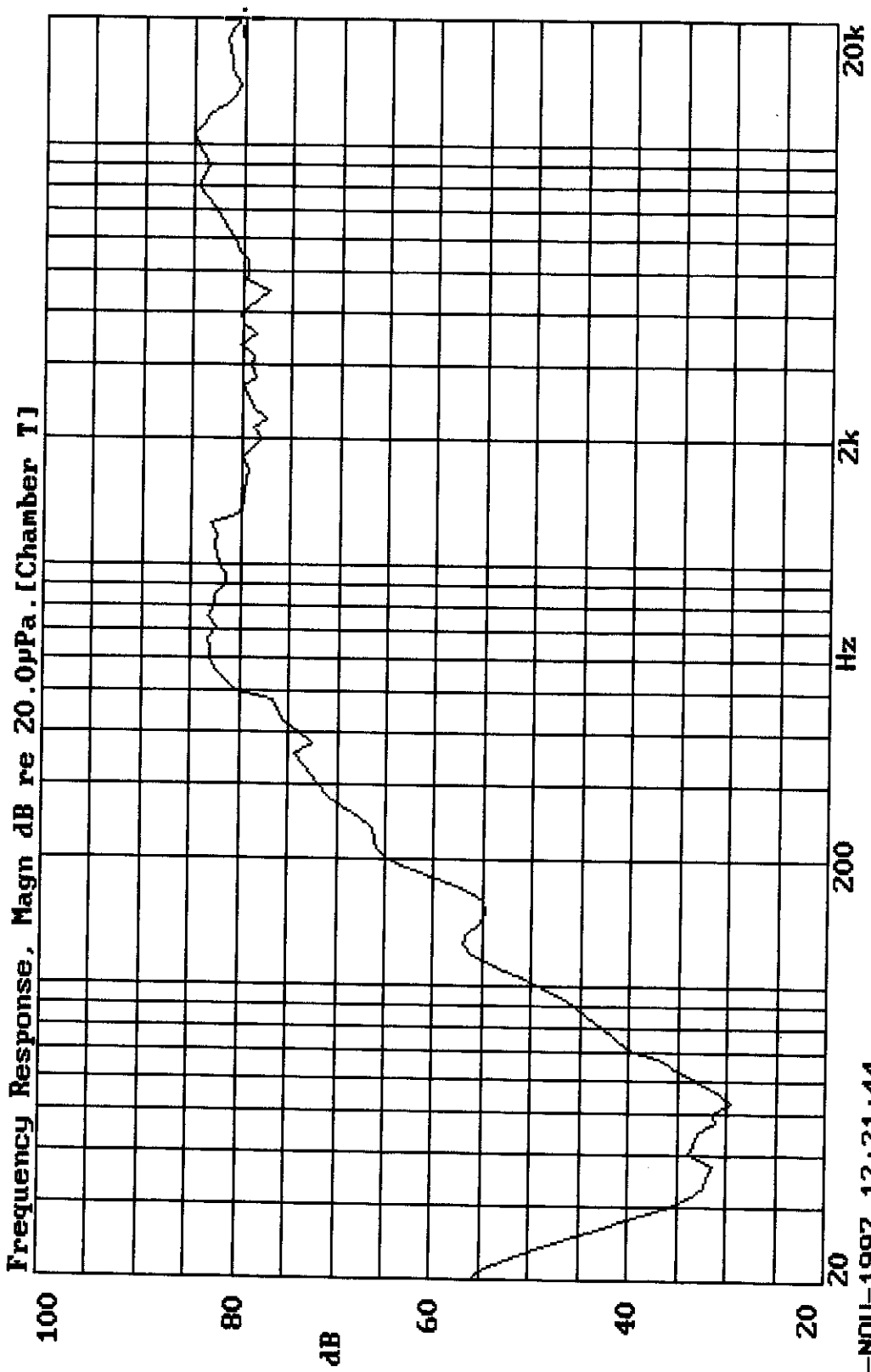
## MOUNTING NOTICE



Unit : mm

Housing Material : METAL

26CR08F-M50ND Vol:2.0 (0.5M) Dis:0.5M VANSONIC  
X:20.000kHz \*Y:80.46dB ZA:Live Curve SSR Fund.



Frequency Response, Magn dB re 20.0µPa. [Chamber T]

21-NOV-1997 12:21:44

Mode: SSR

