

VECO VANSONIC ENTERPRISE CO., LTD.

8F., No. 7, Lane 16, Sec. 2, Szechwan Road, Panchiao, Taipei Hsien, TAIWAN.

TEL: +886-2-29626335

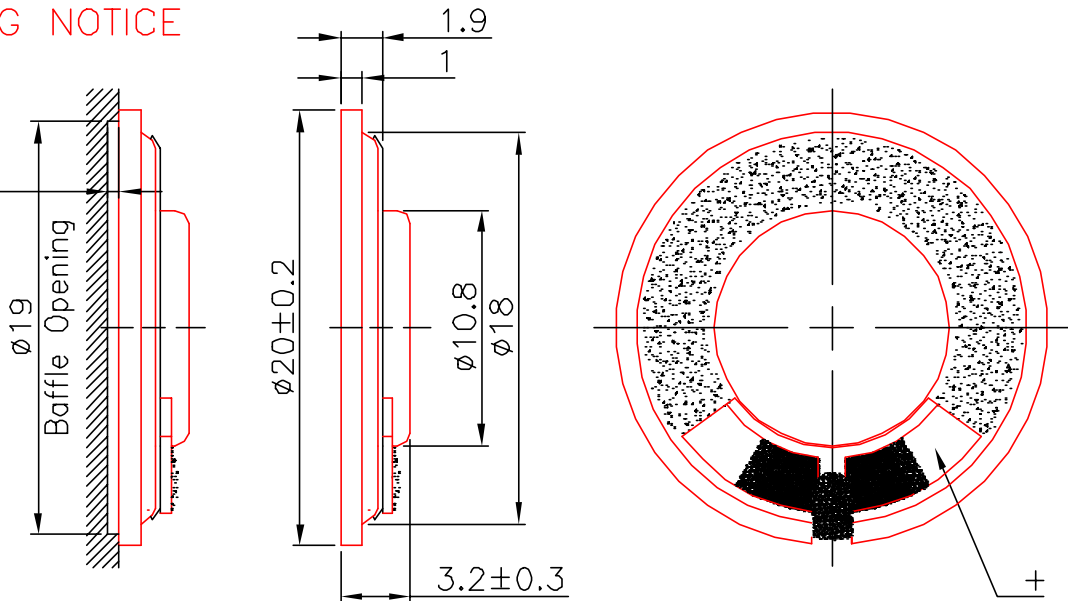
TEL: +886-2-29625220

E-MAIL: vansonic@ms4.hinet.net

1.	MODEL:	20CR08F -M25ND(Black Mylar)-M25NT(Clear Mylar)					
2.	Dimension	Outer Diameter	20	mm.	Baffle Opening	19	mm.
		Height	Refer to Drawing .		Weight	2.2	Grams.
3.	Magnet	Materials	Rare Earth .		Size	∅ 8.0x1.0 mm.	
4.	Nominal Impedance	8	±	15	%	At	1500 Hz.
5.	Power Rating	Normal	500	mW.	Maximum	1000	mW.
6.	Lowest Resonant Frequency	530	±	20	%	Hz.	
7.	Output Sound Pressure Lever (S.P.L.)	81	±	3	db / 0.5 Watt .	0.5 Meter.	
		Average at		800,	1000,	1200,	1500
8.	Frequency Range	300	~	6000	Hz.	Average S P L - 10 db.	
9.	Distortion	5	%	Maximum At	1000	Hz.	500 mW.
10.	Abnormal Sound Test	Must Be Normal Test By 2.0 Volts. Sine Wave.					
11.	Load Test	White Noise With Weighted Filter 2.0 Volts.(RMS) 24 Hrs.					
12.	Polarity	Diaphragm shall move Forward when Apply a Positive DC.					
		Current to the "+" or "Marked" Terminal.					

MOUNTING NOTICE

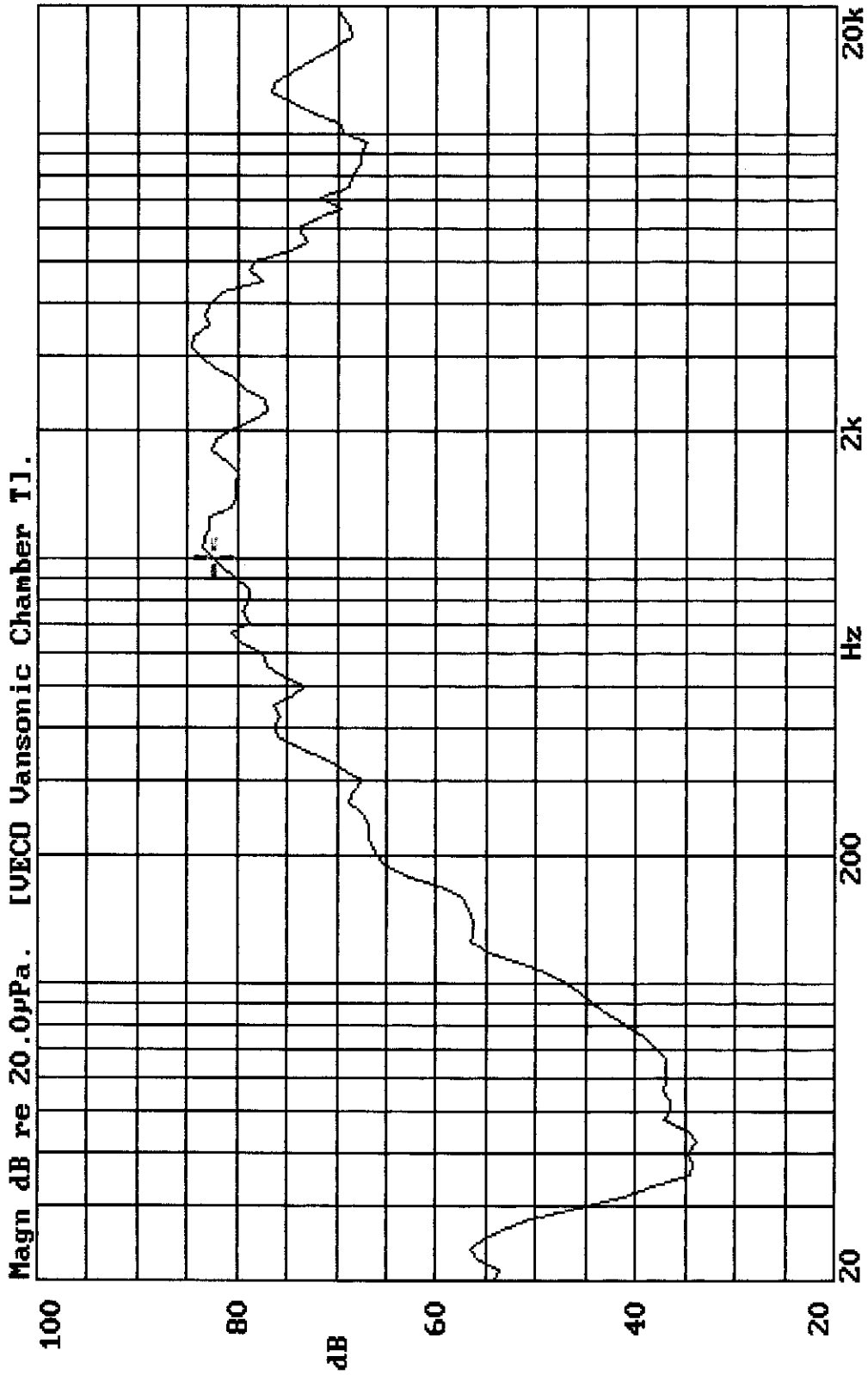
At Least
0.5 mm
For
Diaphragm
Moving



Unit : mm

Housing Material : METAL

20CRO8F-M25NT VOL:2.00(0.5M) DIS:0.5M VANSOINIC
X:1.0000kHz *Y:82.44dB ZA:Live Curve SSR Fund.



13-NOV-2000 16:54:16

Mode: SPEAKER

