

VECO VANSONIC ENTERPRISE CO., LTD.

8F.,No.7,Lane 16, Sec.2, Szechwan Road, Panchiao, Taipei Hsien, TAIWAN.

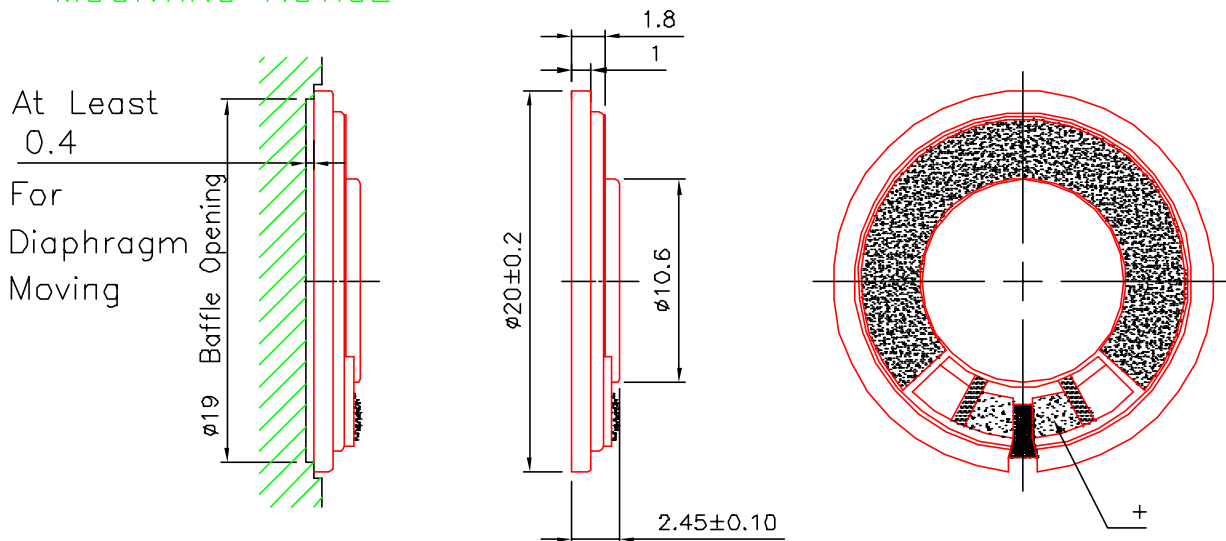
TEL: +886-2-29626335

FAX: +886-2-29625220

E-MAIL: vansonic@ms4.hinet.net

1.	MODEL:	20CR08FL -M25ND(Black Mylar)-M25NT(Clear Mylar)
2.	Dimension	Outer Diameter 20 mm. Baffle Opening 19.1 mm.
		Height Refer to Drawing . Weight 2.1 Grams.
3.	Magnet	Materials Rare Earth . Size ϕ 8.0 X 0.7 mm.
4.	Nominal Impedance	08 \pm 15 % At 1200 Hz.
5.	Power Rating	Normal 300 mW. Maximum 500 mW.
6.	Lowest Resonant Frequency	490 \pm 20 % Hz.
7.	Output Sound Pressure Level (S.P.L.)	76 \pm 3 db / 0.3 Watt . 0.5 Meter.
		Average at 800, 1000, 1200, 1500 Hz.
8.	Frequency Range	400 ~ 6000 Hz. Average S P L - 10 db.
9.	Distortion	5 % Maximum At 1000 Hz. 300 mW.
10.	Abnormal Sound Test	Must Be Normal Test By 1.6 Volts. Sine Wave.
11.	Load Test	White Noise With Weighted Filter 1.6 Volts.(RMS) 24 Hrs.
12.	Polarity	Diaphragm shall move Forward when Apply a Positive DC.
		Current to the "+" or "Marked" Terminal.

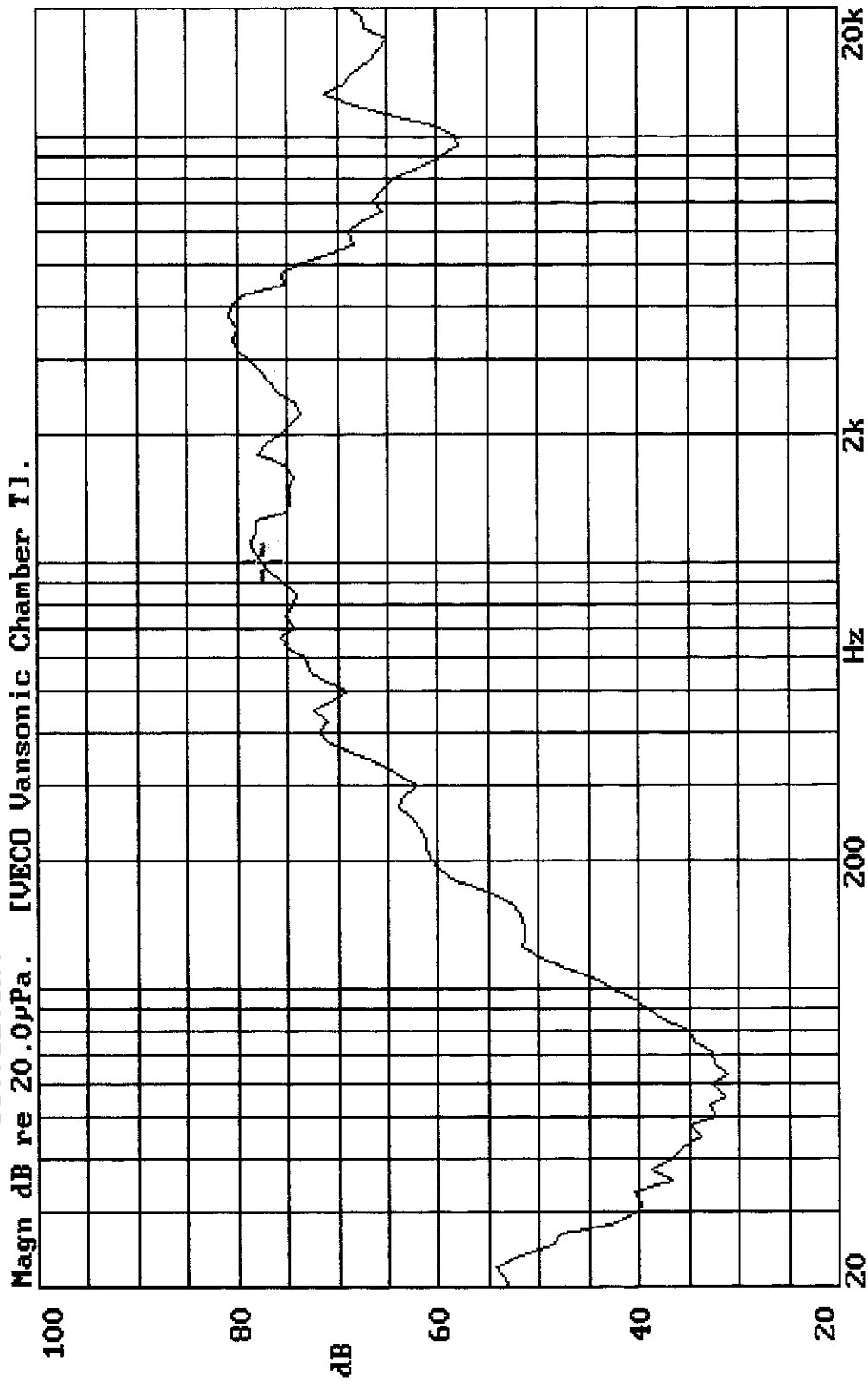
MOUNTING NOTICE



Unit : mm

Housing Material : METAL

20CRO8FL-M25NT VOL:1.549V(0.3W) DIS:0.5M VANSONIC
X:1.0000kHz *Y:77.53dB ZA:1.0000 SSR Fund.
CY:752.3k%



28-DEC-2000 14:06:22

Mode: Distortion