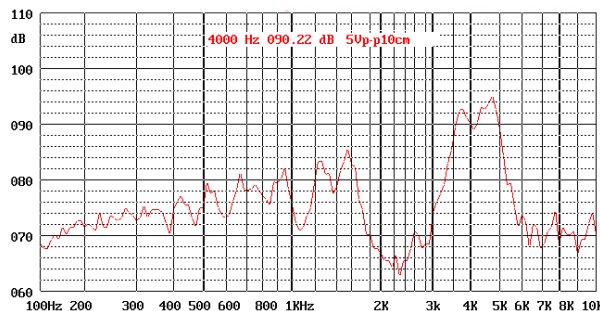


Description**CSPT15A05-4.0F:**

Chinasound SMD Piezo Transducer 14.8< 15 mm length, type A(=14.3 mm width, 7.4 mm height), 5Vp-p rated voltage – 4.0KHz resonant frequency, lead Free reflowing solderable and RoHS compliant

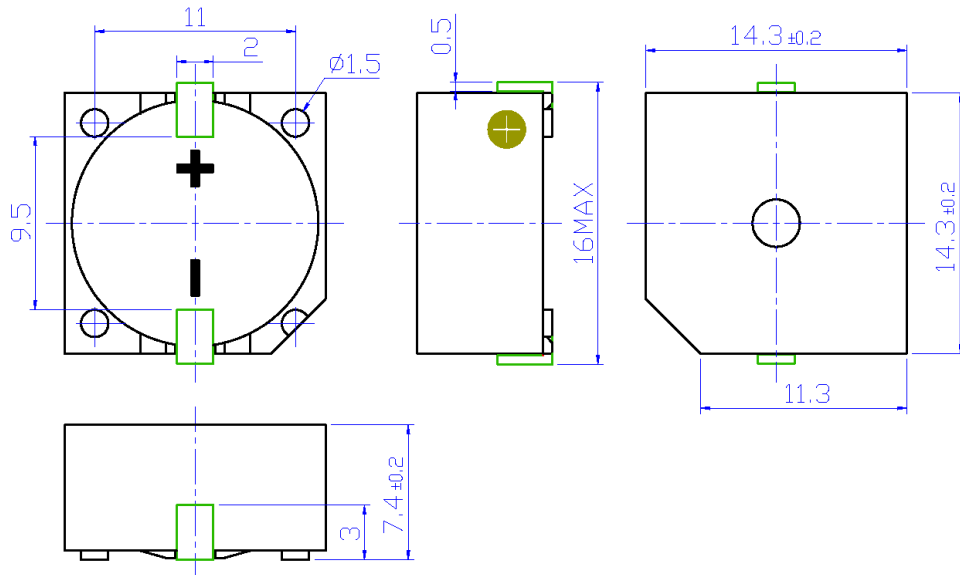
◆ **RoHS compliant**

- ◆ Reliable Solid State Piezoelectric Technology
- ◆ Corrosion Resistance Diaphragm
- ◆ Flame Retardant Plastic
- ◆ Tape and reel packaging for auto mounting

Picture**Frequency Response Curve****Specification**

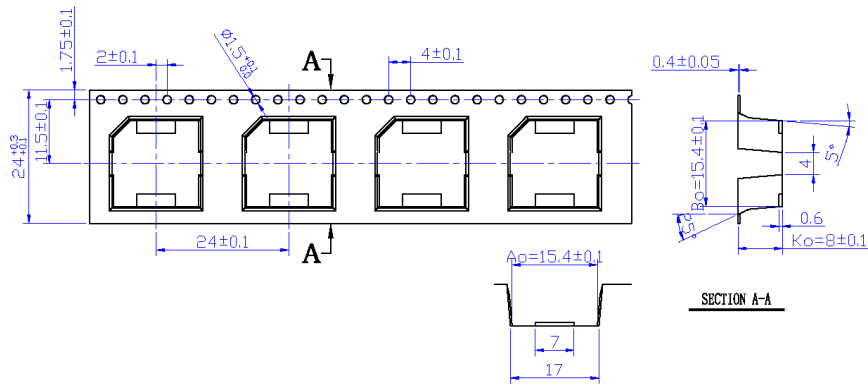
Operating Voltage	20 Vp-p max.
Operating Frequency	4000+/-500Hz
Typical Sound Output	80dB min. at 5Vp-p 10cm 4.0 KHz 25 °C
Rated Current	2mA at 5Vp-p
Capacitance	15000+/-30% pF at 100Hz 1Vrms
Operating Temperature	-40 °C to +105 °C
Storage Temperature	-40 °C to +120 °C
Termination	2 soldering pads, Sn plated Brass
Construction Materials	Case Plastic, PPS A7-03A Diaphragm Ni Alloy Disc N42
Weight (Typical)	1.9g
Reliability	*Life Test At 5 Vp-p, 1 minutes ON 1 minutes OFF in room temperature continuously for 1000 hours *High Temperature No function at +120+/-2 °C for 240 hours; Function at +105+/-2 °C for 240 hours *Low Temperature No function at -40+/-2 °C for 240 hours; Function at -40+/-2 °C for 240 hours *Humidity +40+/-2 °C, 95+/-5%RH, 240 hours *Thermal Shock -30+/-2 °C 0.5 hr @ +25+/-2 °C 0.25 hr @ +105+/-2 °C 0.5 hr @ +25+/-2 °C 0.25 hr. Temperature Go up or Drop time is 0.5 hr. 3 hrs per 1 cycle. Total is 5 cycles *Vibration 1.5mm with 10 to 50Hz of vibration frequency to each of 3 perpendicular directions for 2 hours *Shock 980m/s ² (=100g) shock for each mutually perpendicular directions, half sine wave, 3 times each *Drop Test Dropped naturally from 750mm height onto the surface of 10mm wooden board. 2 directions – upper and side of the part are applied *Soldering Heat Resistance Samples put through reflowing soldering oven 2 twice **Solderability Samples put on PCB with solder paste through reflowing soldering oven 1 times For a period of one (1) year from date of manufacture under normal operations
Warranty	*All specifications must be satisfied after the test (Recovery:2 to 4 hrs of recovery under the standard condition after the removal from test chamber). **90% min. soldering pads shall be with solder.(except the edge of pad)

Dimensions (Unit:mm)



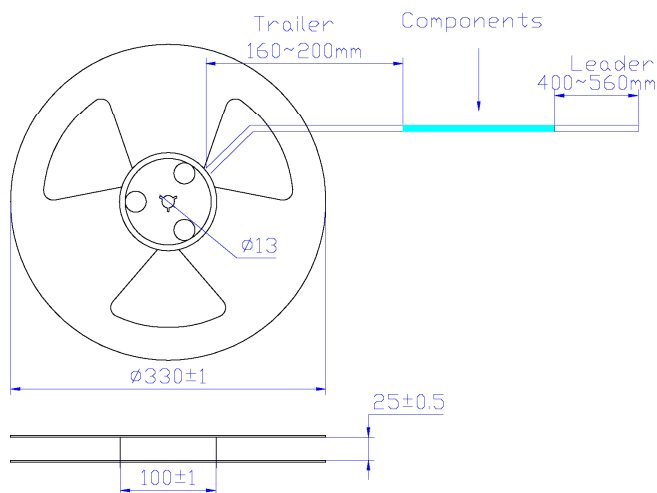
All specifications are subject to change without notice

Tape & Reel Dimensions (Unit:mm)

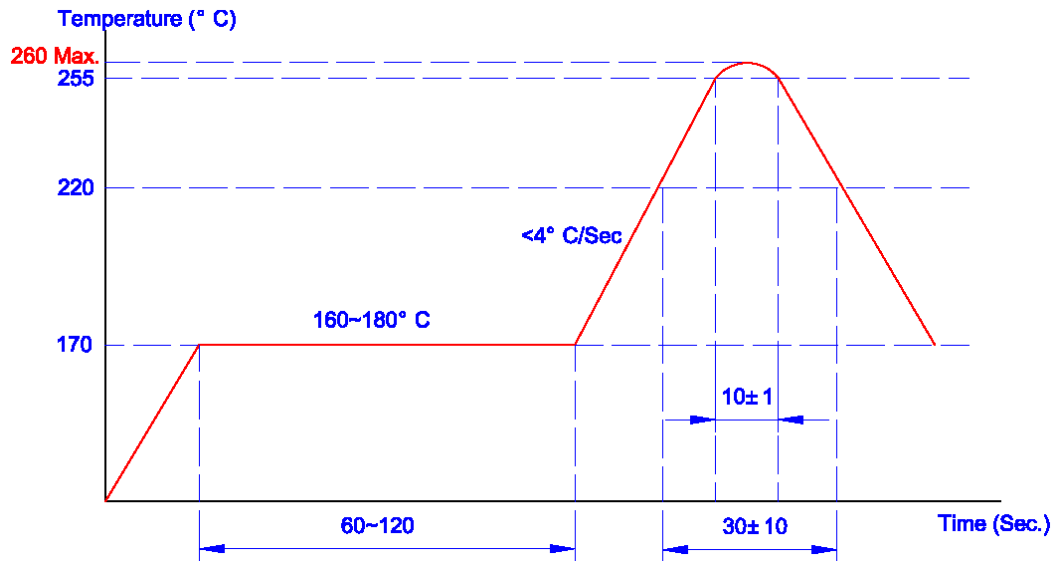


NOTE:

1. 10 sprocket hole pitch cumulative tolerance ± 0.20 mm.
2. Carrier camber not to exceed 1 mm in 250 mm.
3. All dimensions meet EIA-481-2-A requirements.
4. Thickness: 0.40 ± 0.05 mm.
5. Component loaded per 13" reel: 350 pcs.



Recommend Reflowing Profile



All specifications are subject to change without notice